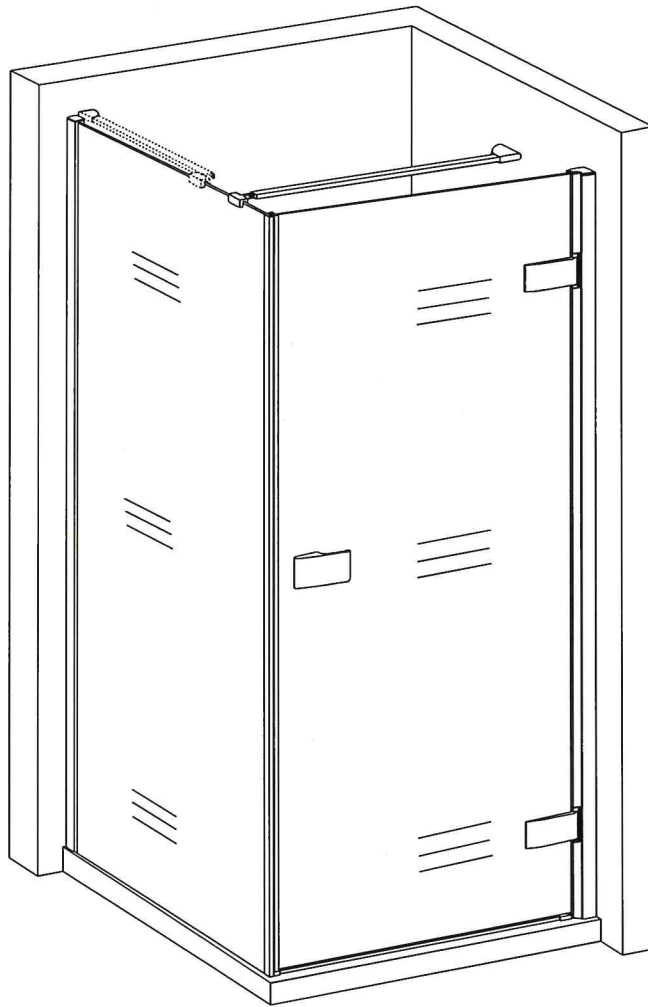


# INSTALLATION MANUAL

## VOLENTE FRAMELESS HINGE DOOR

Eastbrook Code	Adjustment	Eastbrook Code	Adjustment
58.811	667-690	58.814	867-890
58.812	727-750	58.815	967-990
58.813	767-790		

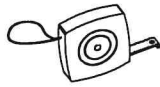
This product should only be fitted by a fully qualified installer.



Please check tolerance shown on box to ensure product is suitable for the site circumstances.

\*If fitting door in an alcove please see page ⑦

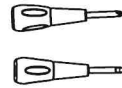
# TOOLS REQUIRED



Tap measure



Rubber hammer



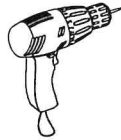
Flat and cross  
screwdriver



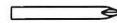
Silicone gun



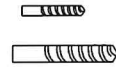
Level ruler



Drill machine



Pencil



(Ø6, Ø3.2) Bit drill

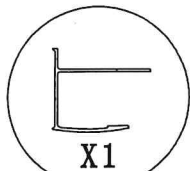


\*This product must be unpacked and checked for quality prior to installation.

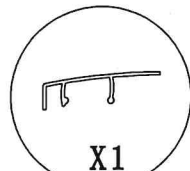
\*Any missing parts or damage must be reported to your supplier within 10 days of purchase and prior to install.

No claims can be enforced outside of these terms.

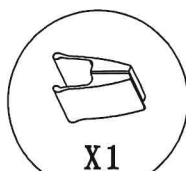
# PACKING LIST



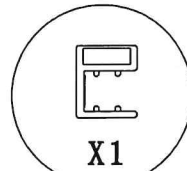
A



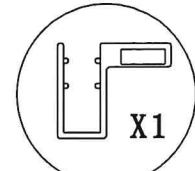
B



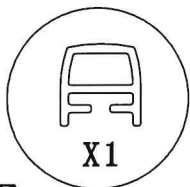
C



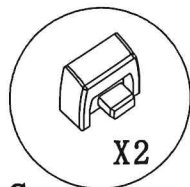
D



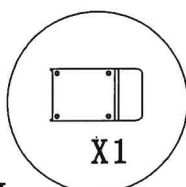
E



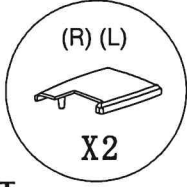
F



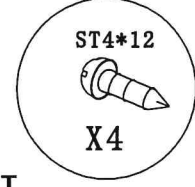
G



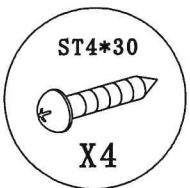
H



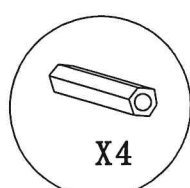
I



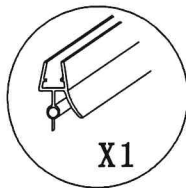
J



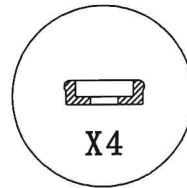
K



L



M



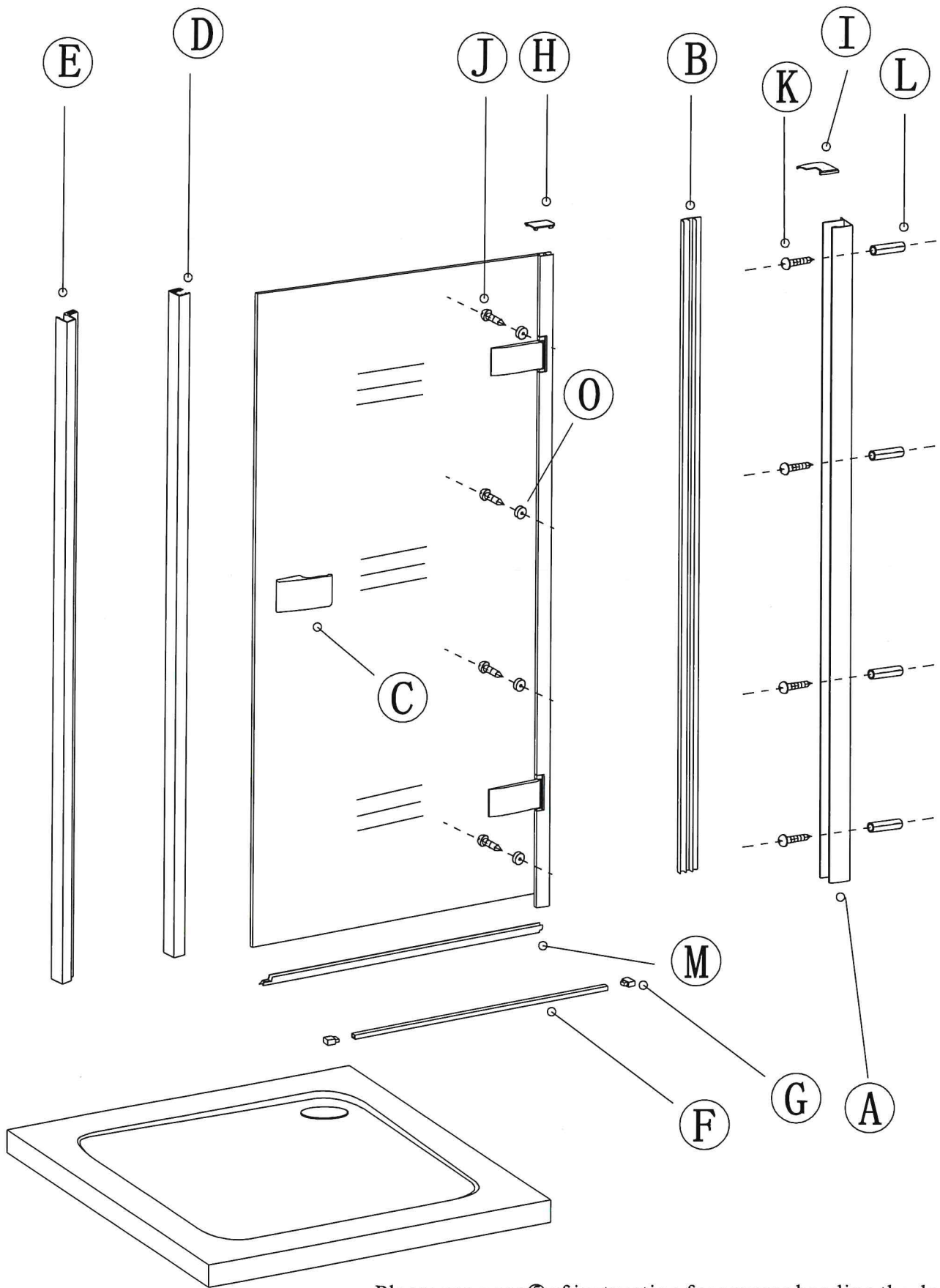
O

Please make the following checks before commencing the installation:

\*The product supplied is the required size and the adjustment is compatible with the site situation.

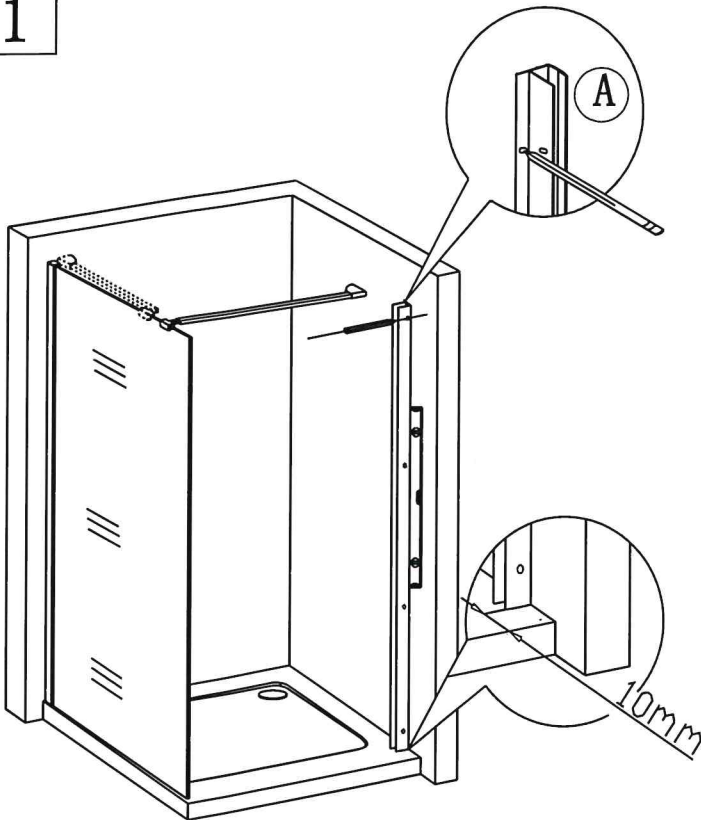
\*Check all component parts are present, see packing list and product schematic diagram for reference.

\*Make sure you have all the required tools.



Please see page 5 of instruction for reverse handing the door.

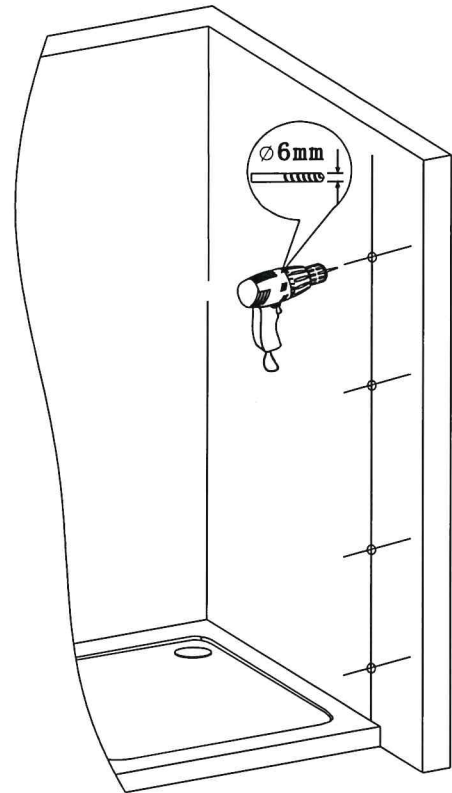
1



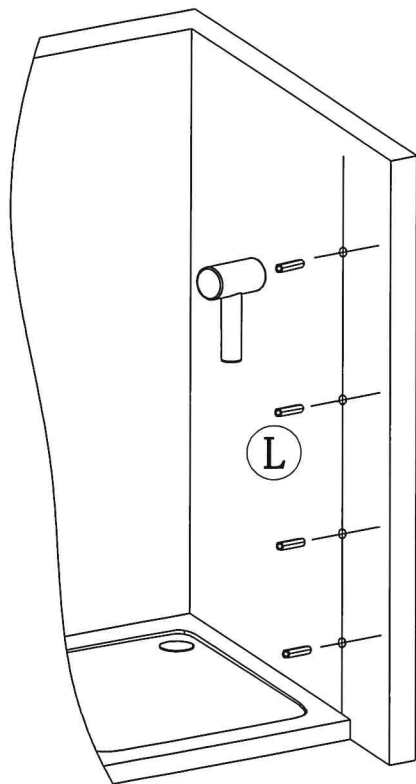
Dry fit door for correct position of wall profile.  
Install side panel in accordance with the instructions  
supplied in the box ensuring tolerance has been left for the door.

2

Drill holes in wall in chosen  
position with 6mmØ drill bit

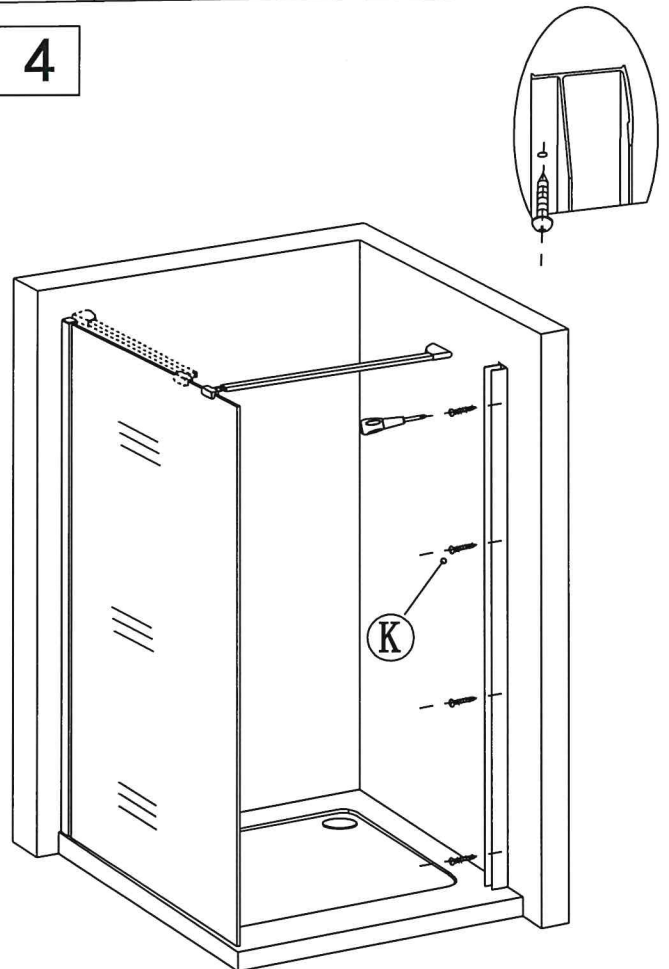


3



Fit wall profile plugs **L** if fitting to solid wall. Substitute  
for hollow wall fixings if necessary (not supplied).

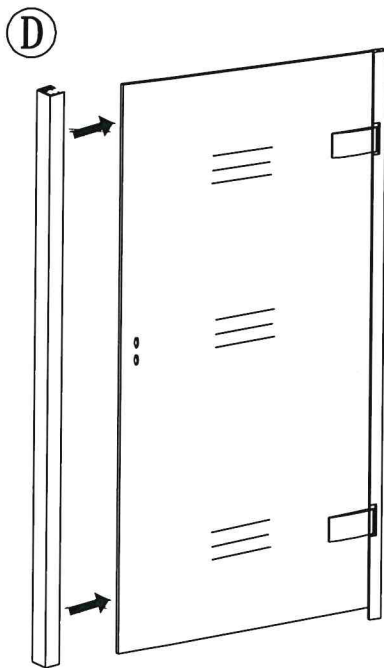
4



Attach profile **A** with ST4 \* 30 screws **K**.

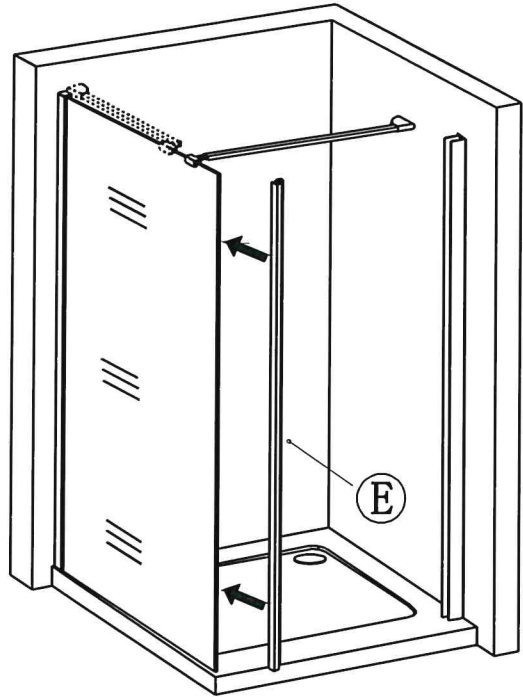
(1)

5



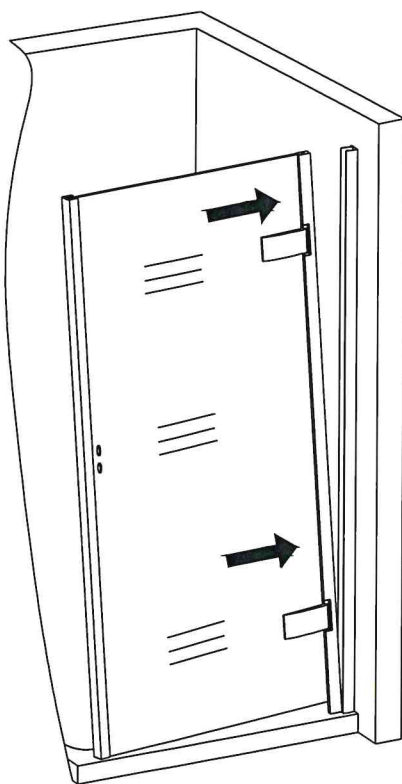
Before fitting door attach hinge seal (N) and magnetic seal (D).

6



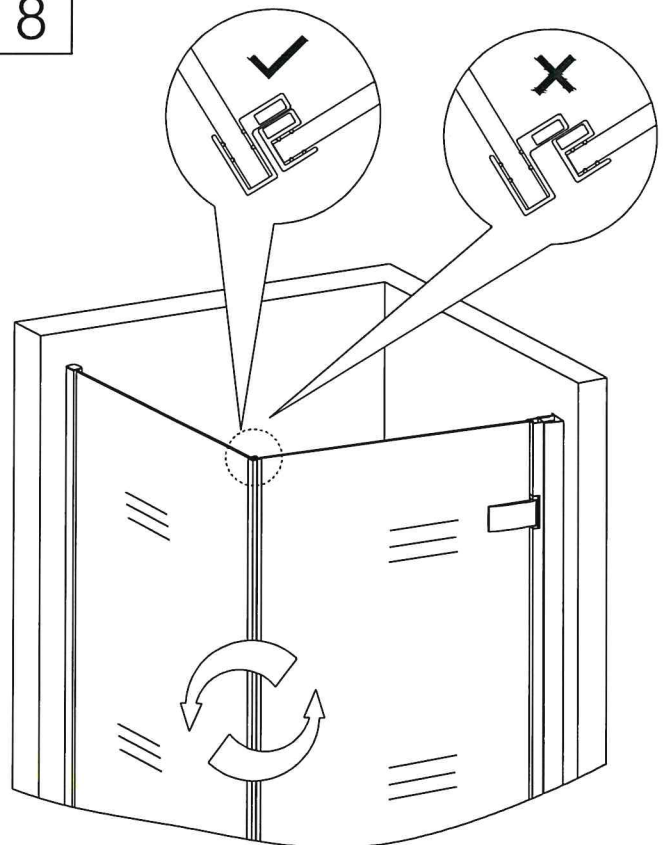
Attach magnetic seal (E) to end of side panel.

7



Fit door into wall profile.

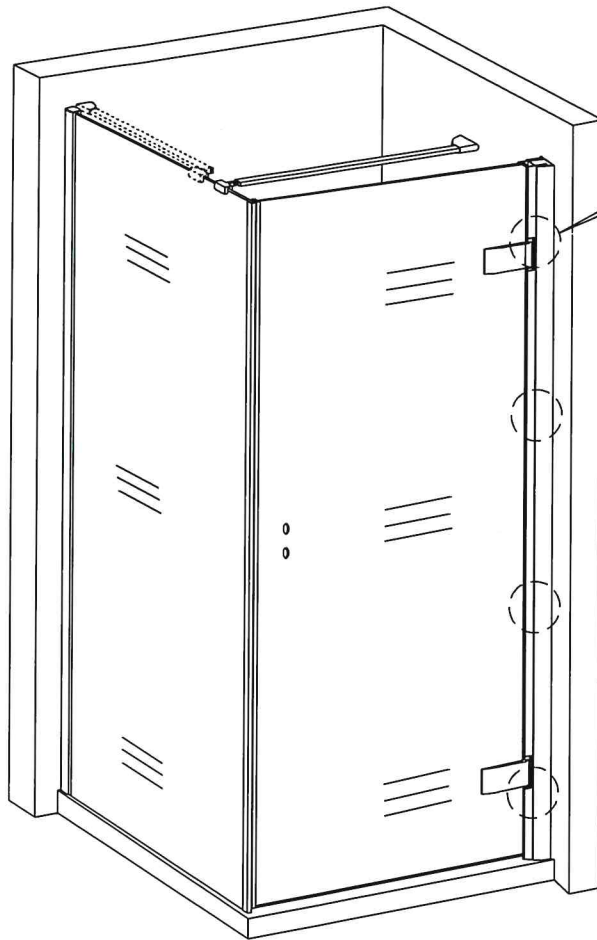
8



Ensure magnetic seals connect correctly! Adjust door in wall profile until lined up.

(2)

9



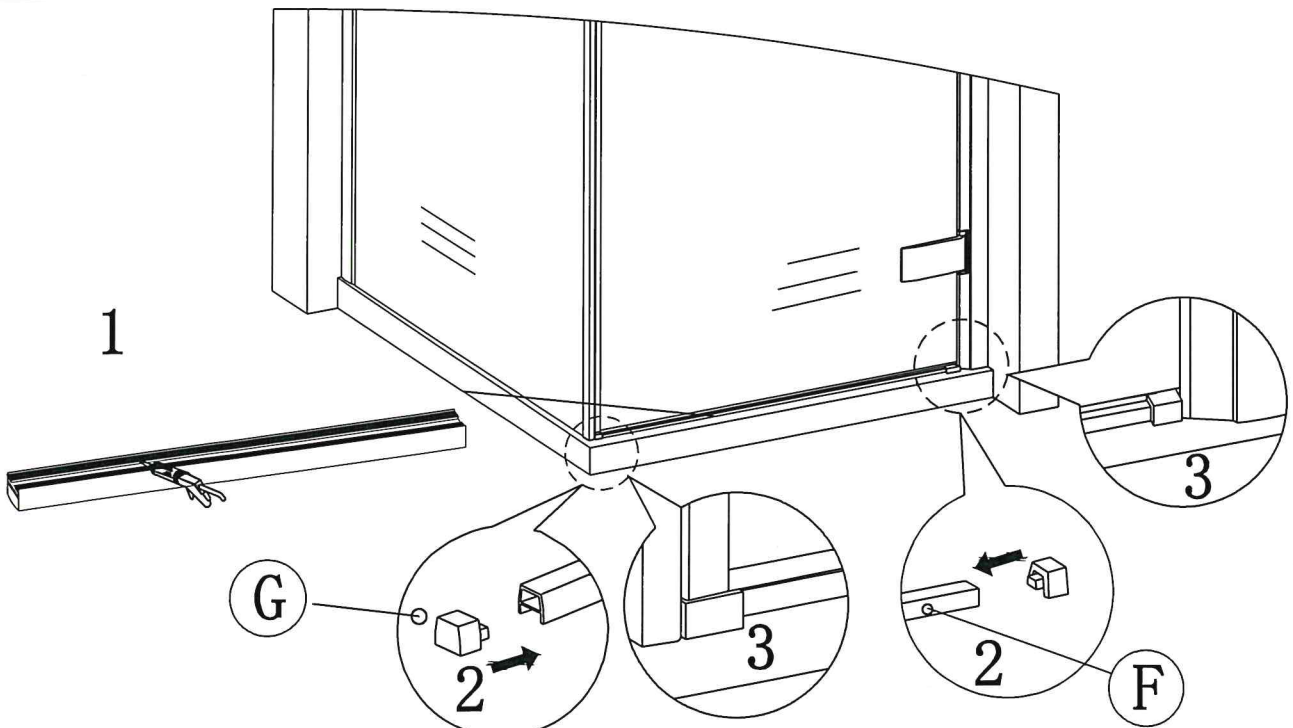
Drill guide hole into wall profile with 3.2mm $\phi$  drill bit and fix wall screw ST4\*12 **J** and washer **O**.

Fit screw cover profile **B** onto washer **O** to conceal all fixings.

Secure door in correct position.

10

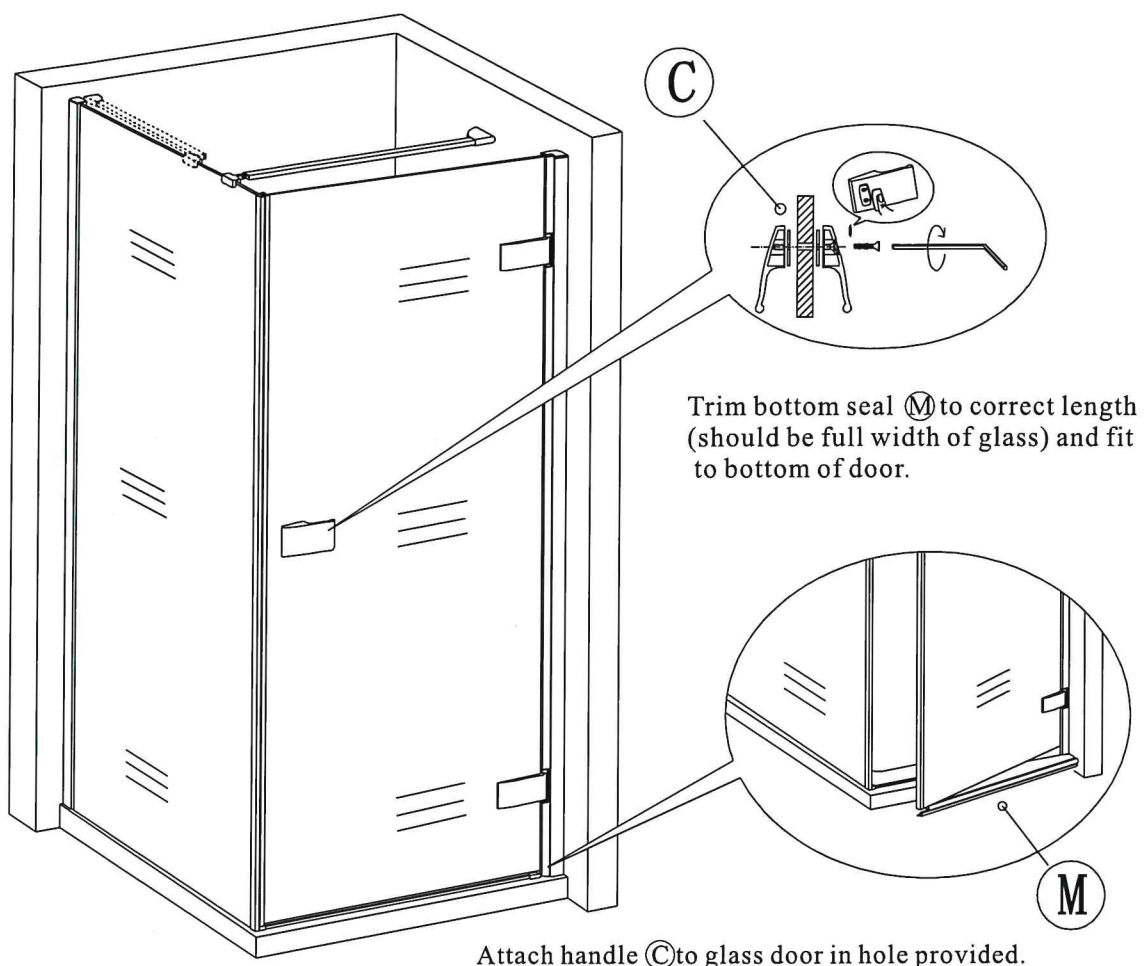
Anti water strip **F** should be siliconed to tray / wet room in a position which allows bottom seal **M** to fit entirely inside the strip.



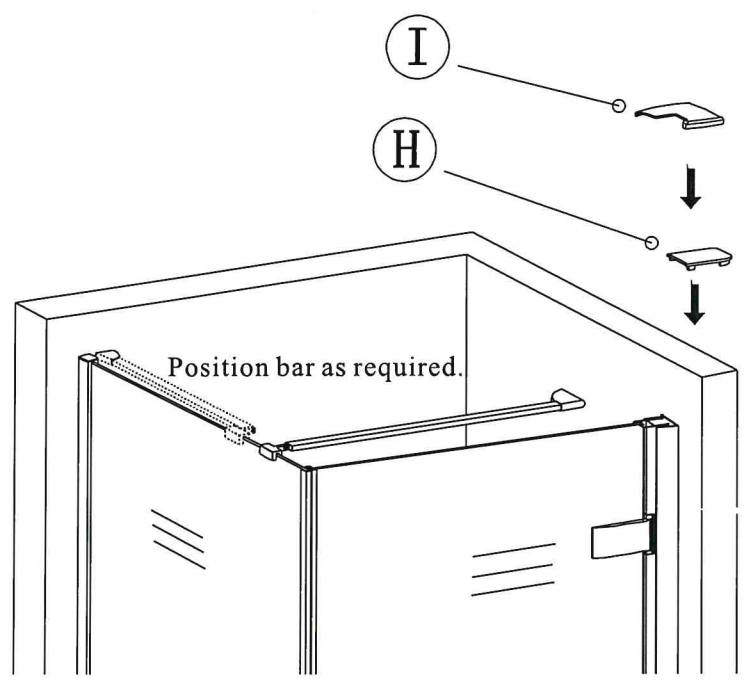
Cut anti water strip **F** to correct length and secure caps **G** to both ends.

(3)

11

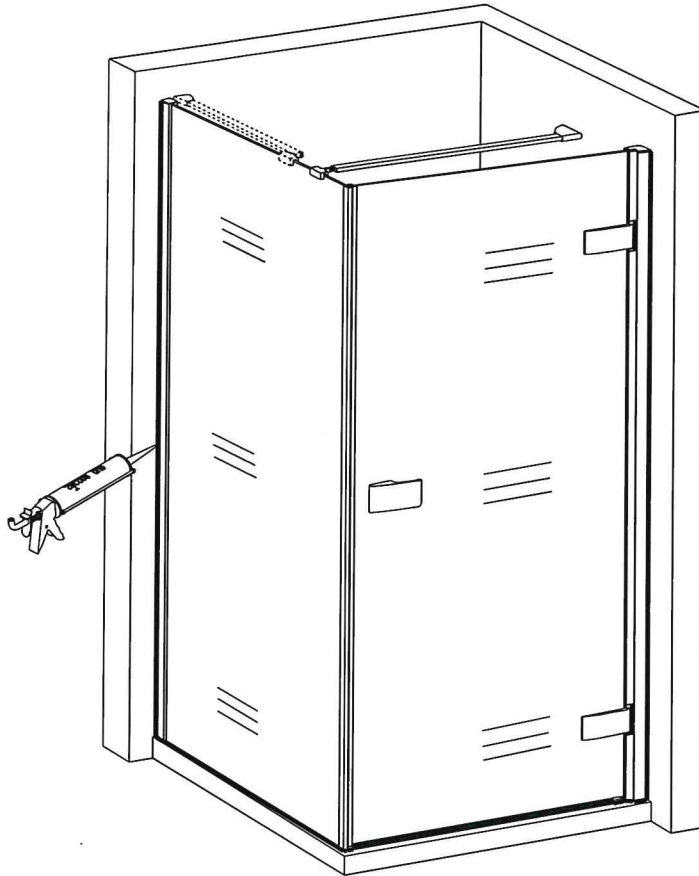


12



Fit profile cover caps (H) and (I).

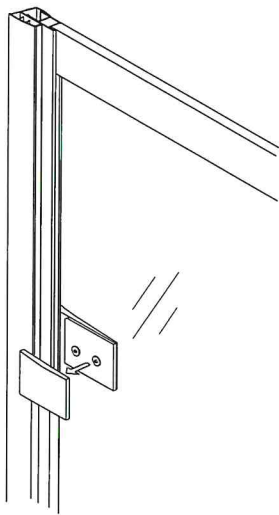
13



Silicone down both wall profiles, along the bottom of the side panel and on the outside of the chrome anti water strip.

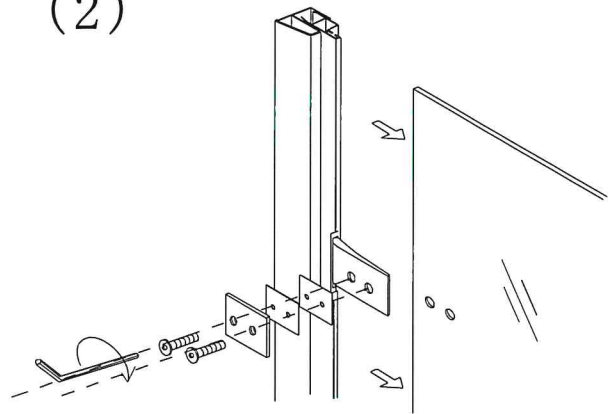
### Reverse Handing Instruction

(1)



Take off the cap from the hinge

(2)

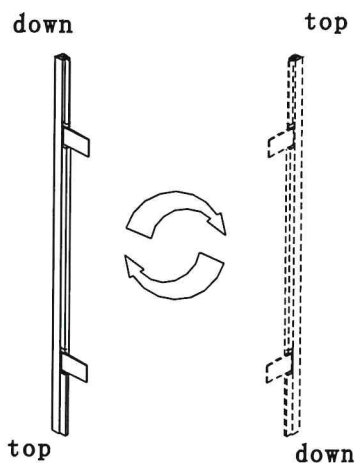


Unscrew the screws, and take the glass out of hinge

(5)

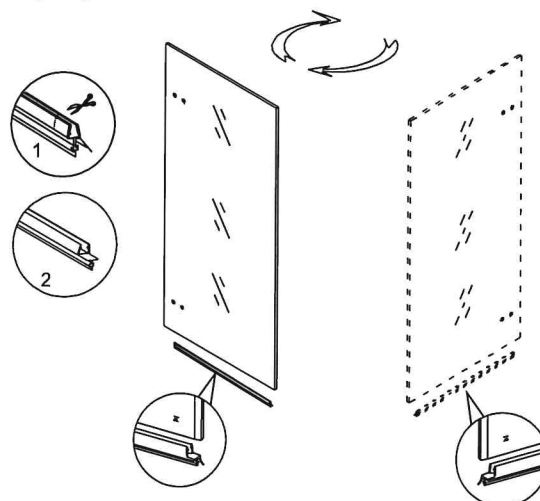


(3)



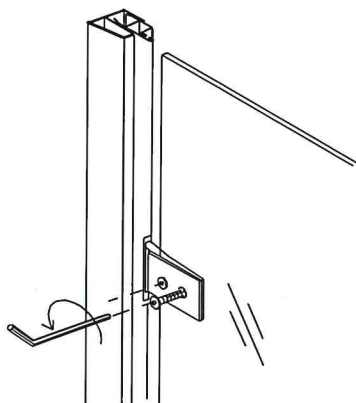
Reverse the top and bottom of the profile

(4)



Reverse the glass 180°

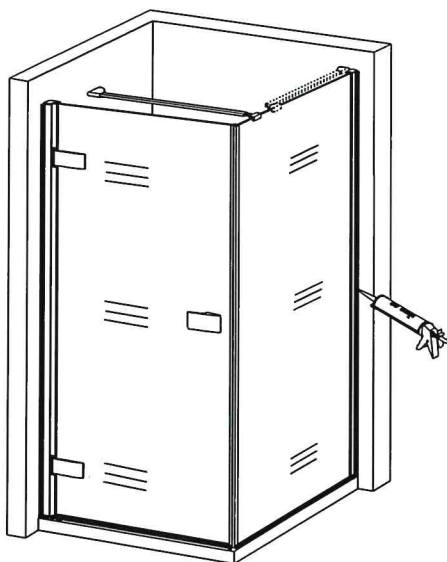
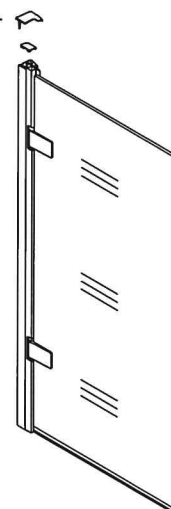
(5)



Reinstall the hinge and glass

(6)

This part is handed. And both LH and RH are included in the packing.



Please ensure silicone sealant is on the outside only.

(6)

# Eastbrook

Eastbrook Road, Gloucester GL4 3DB  
Technical Helpline: 01452 317890  
email: [technical@eastbrookco.com](mailto:technical@eastbrookco.com)

## Cleaning and Maintenance of Shower Enclosures

Do not clean the shower enclosure with irritant detergents such as alcohol, bleach or other chemical cleaners.

Only clean with mild soapy water or a proprietary cleaner where the label advises it is suitable for the materials the enclosure is constructed from, test on a small area first.

For treating limescale we would recommend distilled vinegar in a half and half solution with water.

Following installation should you find that there is a notable noise when the glass door moves you may add a small amount of silicone lubricant onto the roller wheels and tracks, hinges or clips.

It is the responsibility of the product owner to maintain the product as recommended above. Also to check for parts which have broken or become loose to protect against failure of the enclosure.