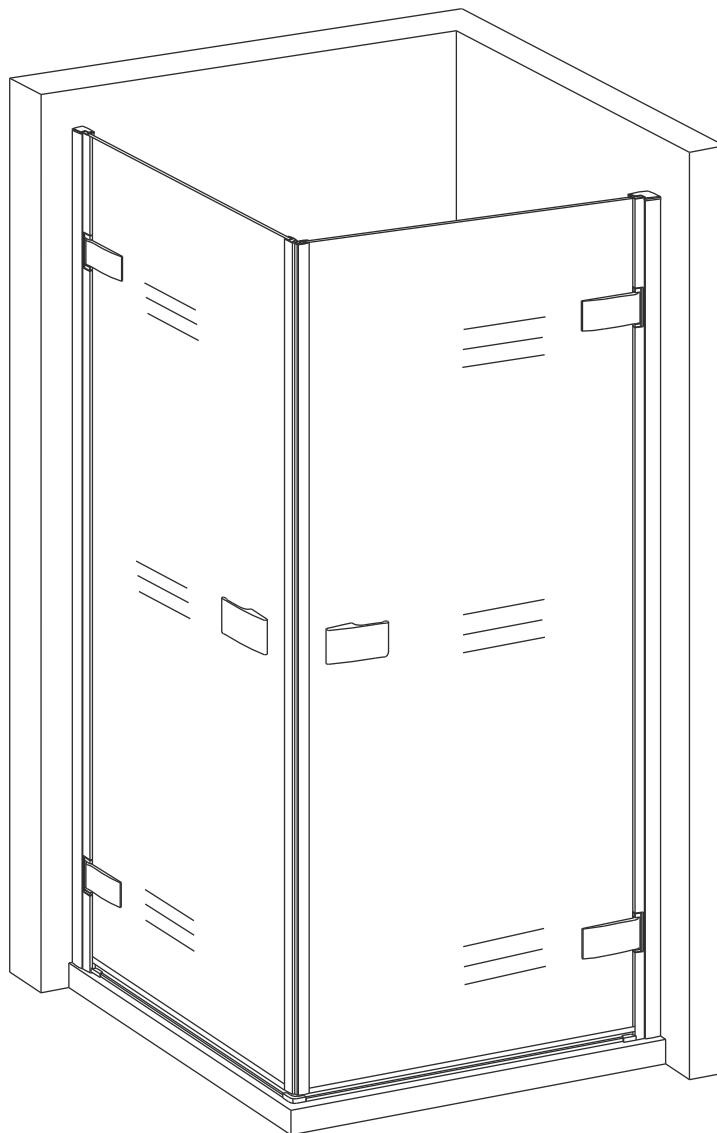


此说明书有修改
从2015-09-01日后排产单开始
采购需更新给质检
此页供应商不必印刷

INSTALLATION MANUAL

VOLENTE DOUBLE HINGE DOOR

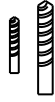
Eastbrook Code	Adjustment	Eastbrook Code	Adjustment
58.801	780-800	58.806	880-900/1180-1200
58.802	880-900	58.807	780-800/980-1000
58.803	980-1000	58.808	880-900/980-1000
58.804	780-800/880-900	58.809	740-760/880-900
58.805	780-800/1180-1200	58.810	740-760/980-1000



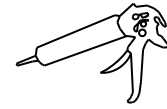
TOOLS REQUIRE



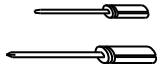
Pencil



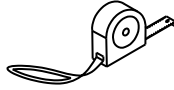
($\varnothing 6$ $\varnothing 8$. 2) bit drill



Silicone gun



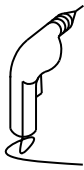
Flat and cross screwdriver



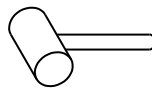
Tape measure



Level ruler

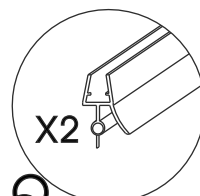
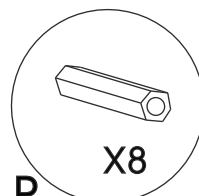
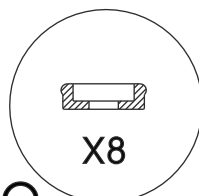
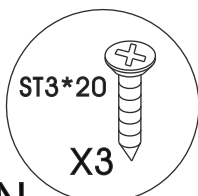
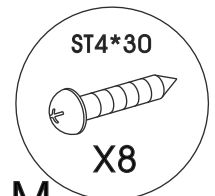
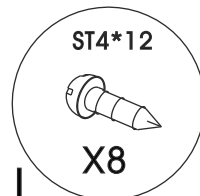
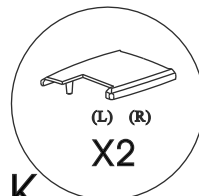
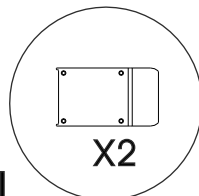
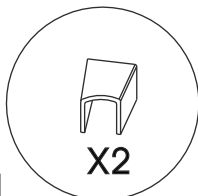
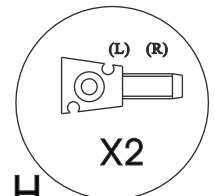
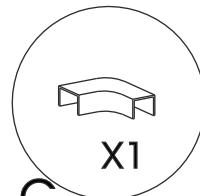
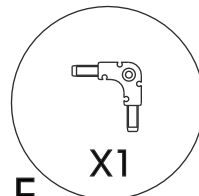
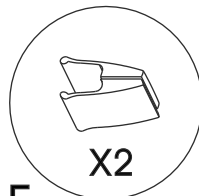
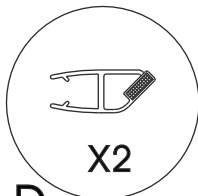
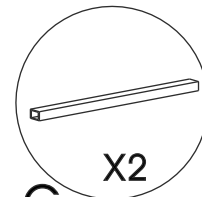
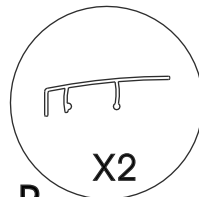
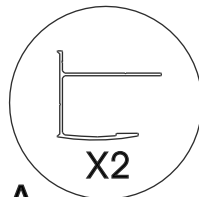


Drill machine

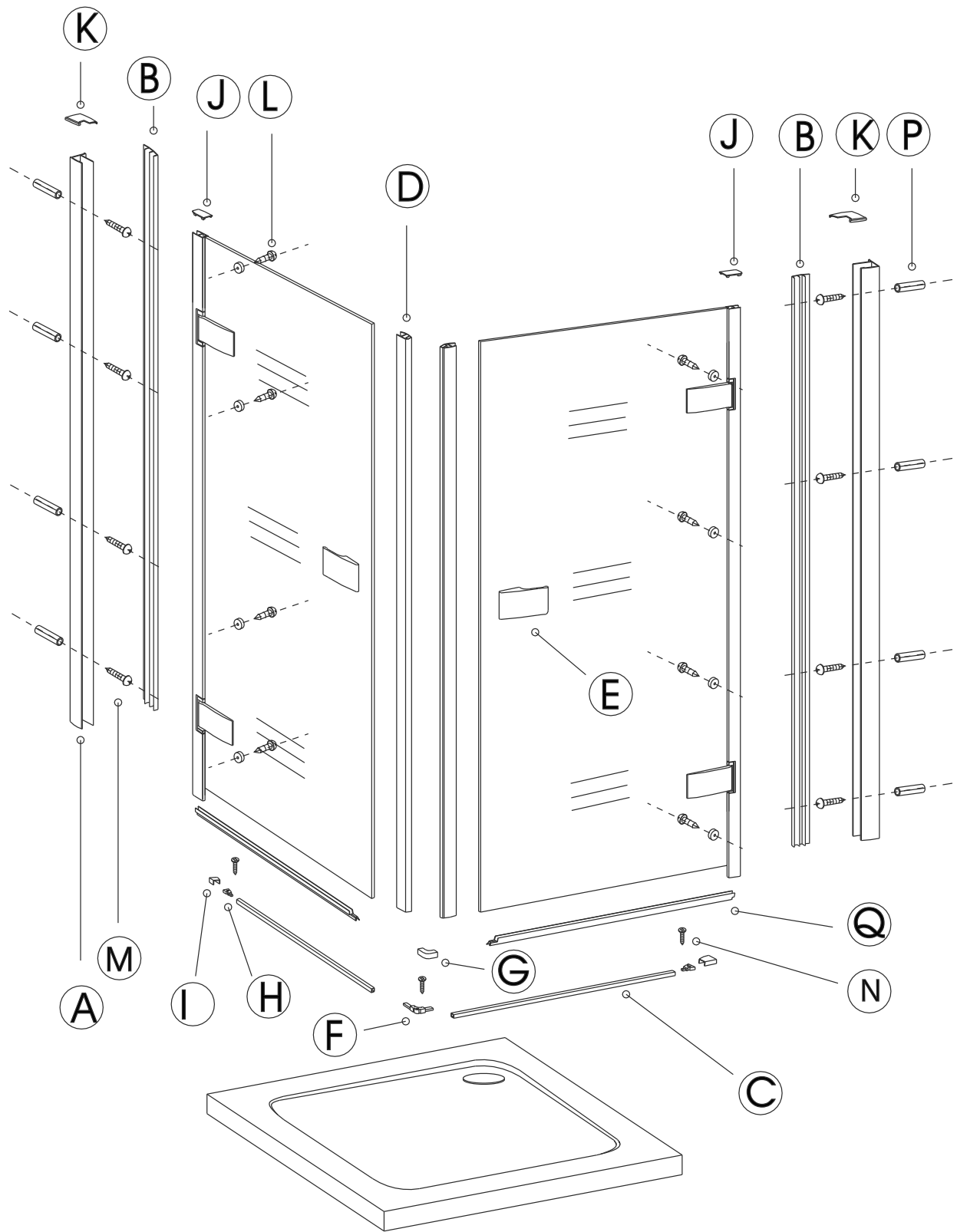


Rubber hammer

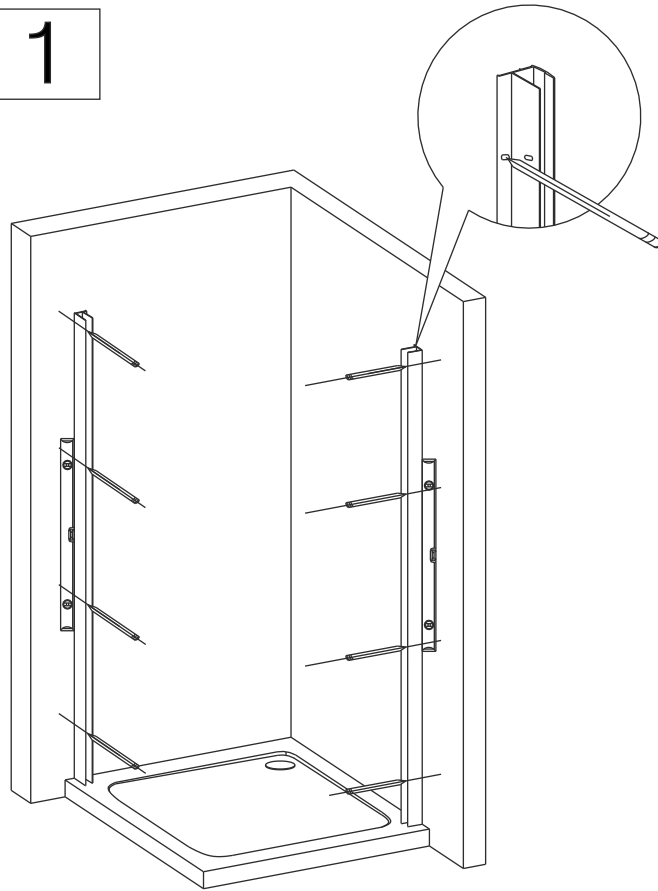
PACKING LIST



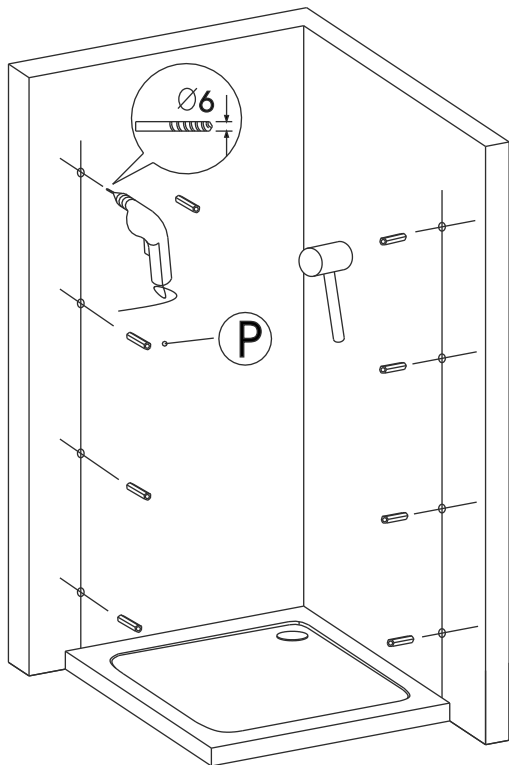
PRODUCT SCHEMATIC DIAGRAM



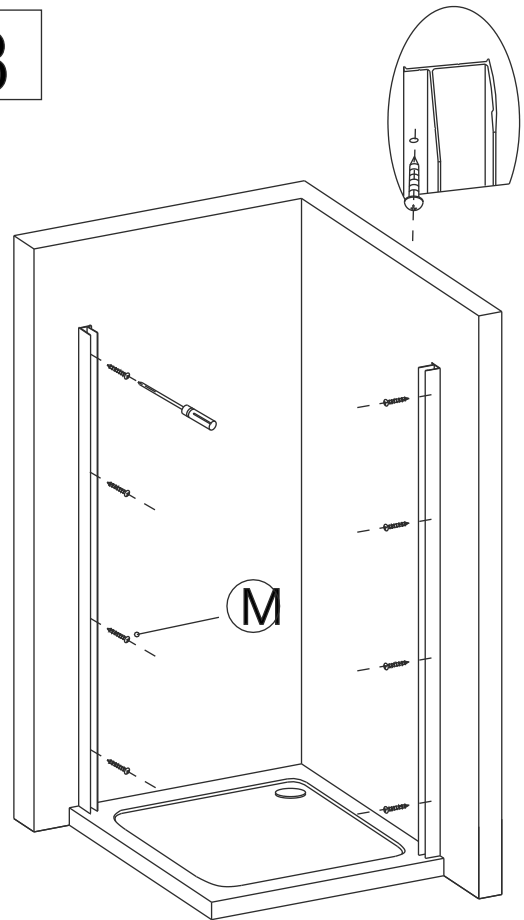
1



2

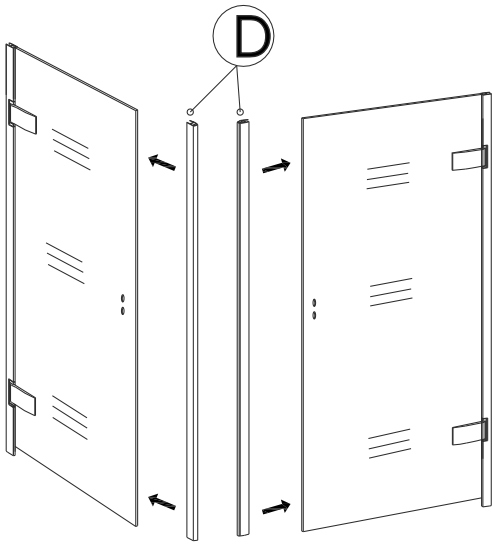


3



(1)

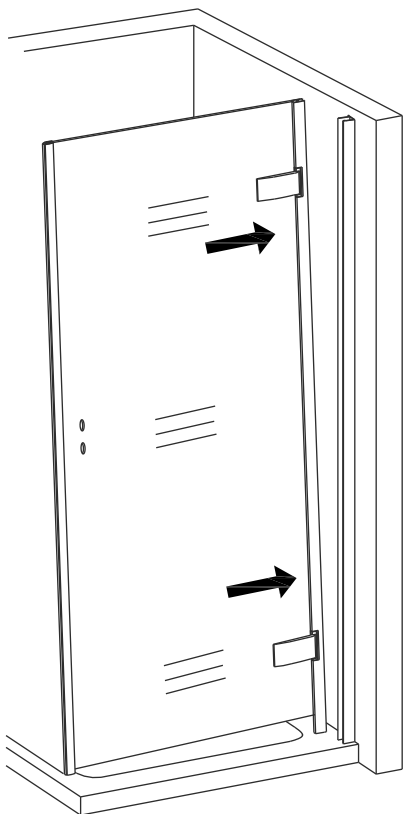
4



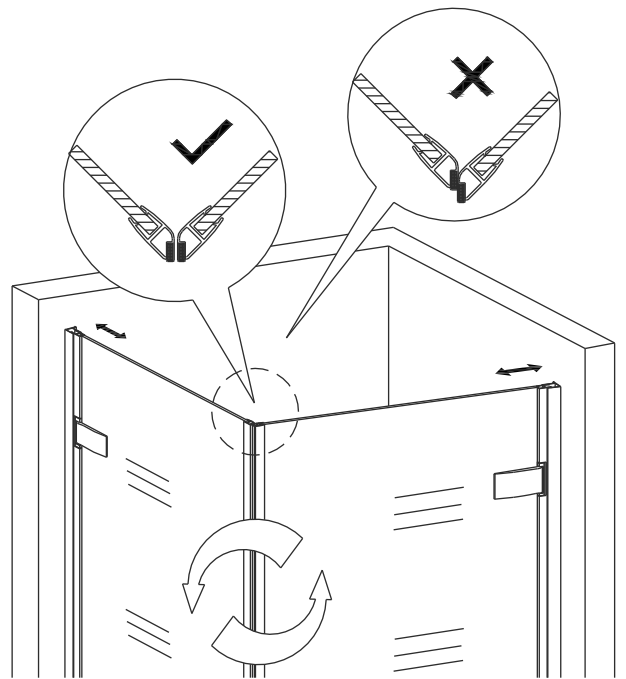
5



6

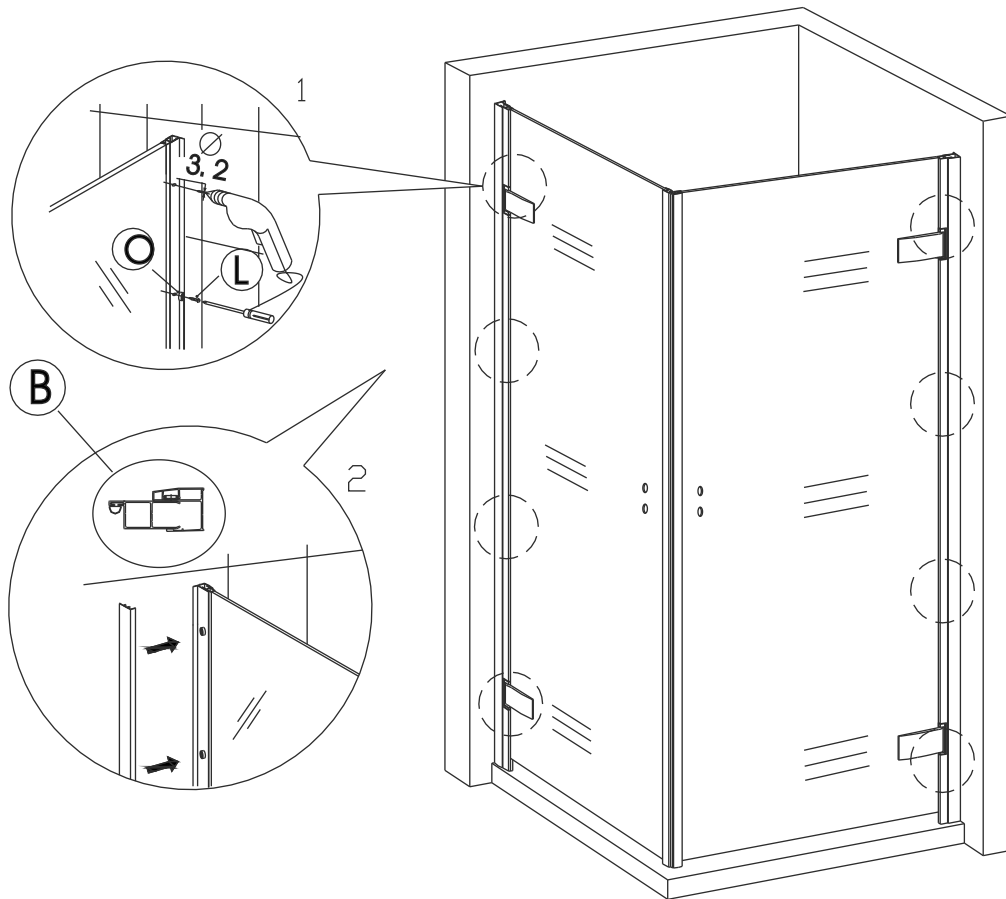


7

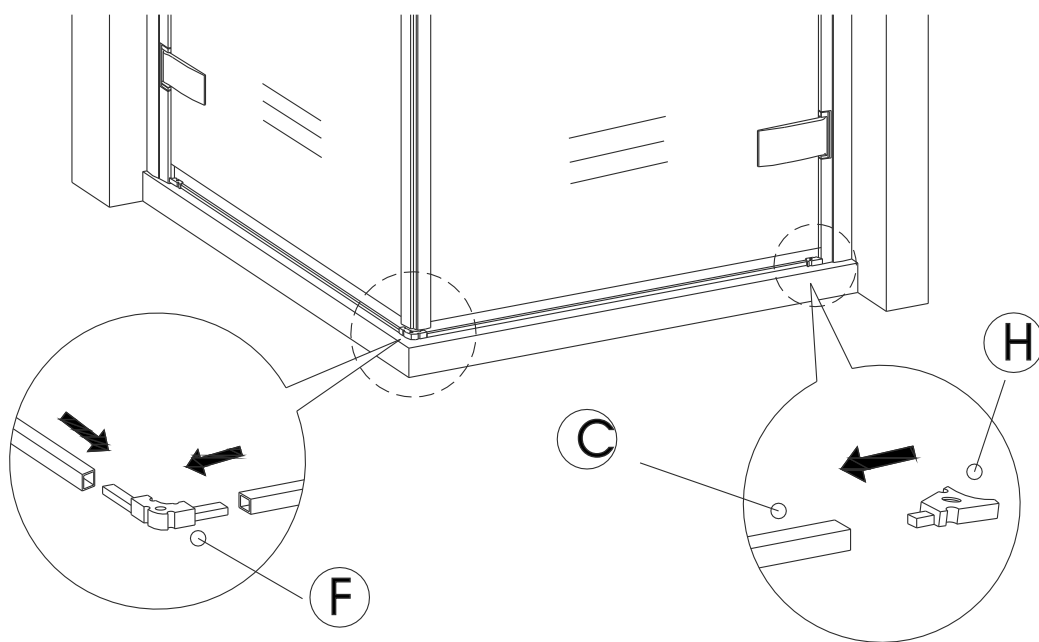


(2)

8

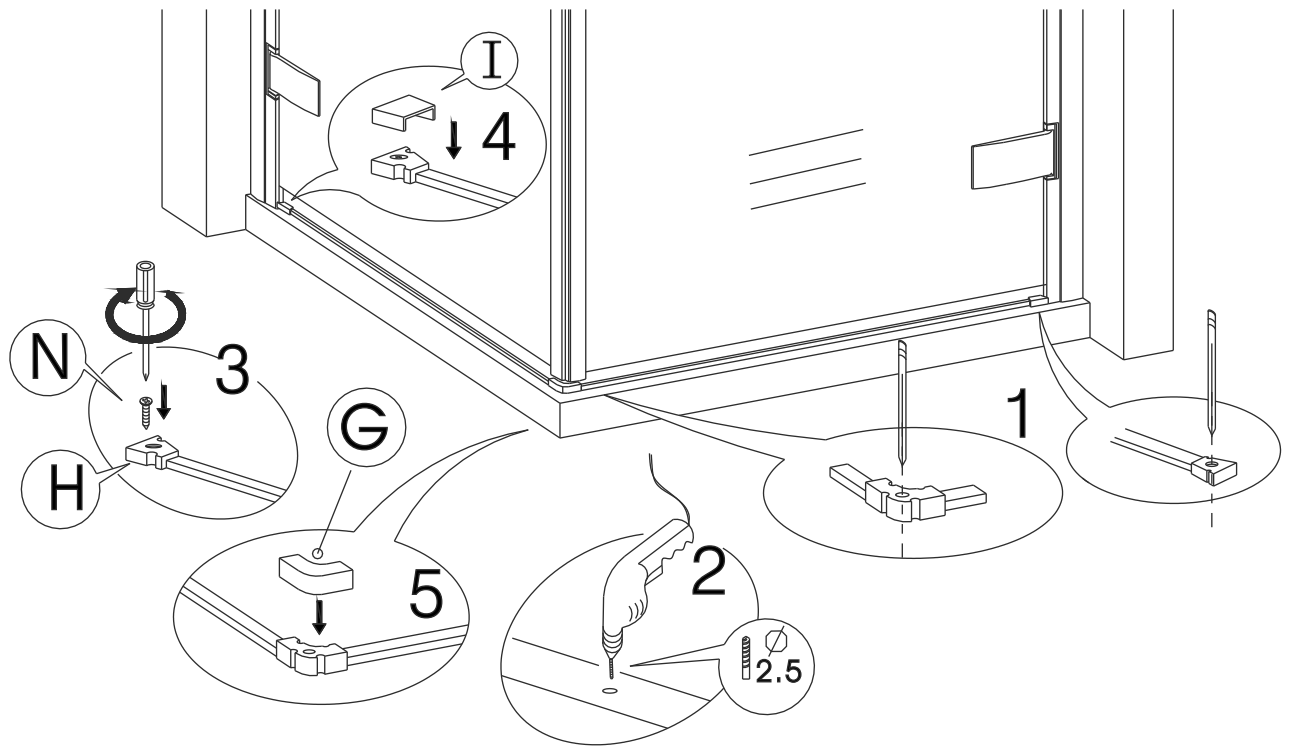


9

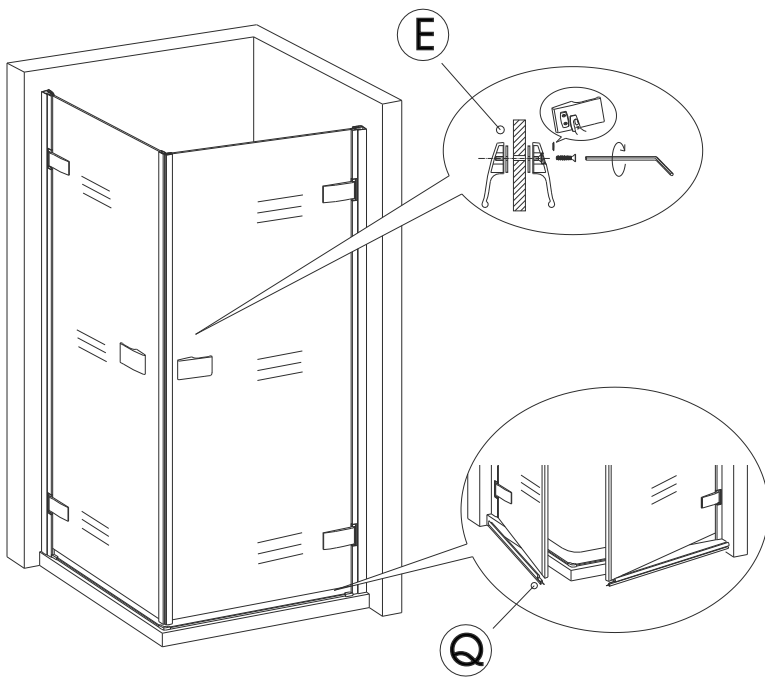


(3)

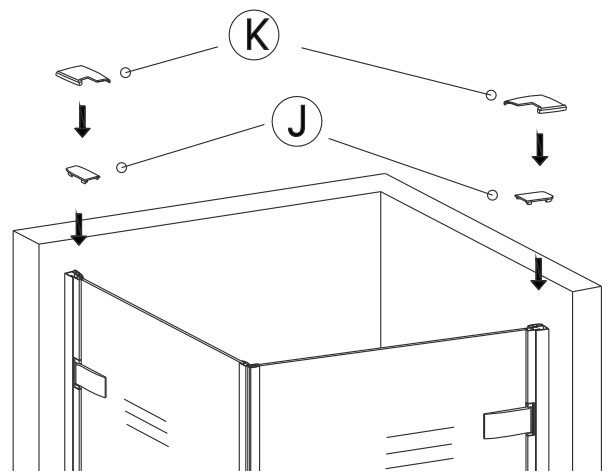
10



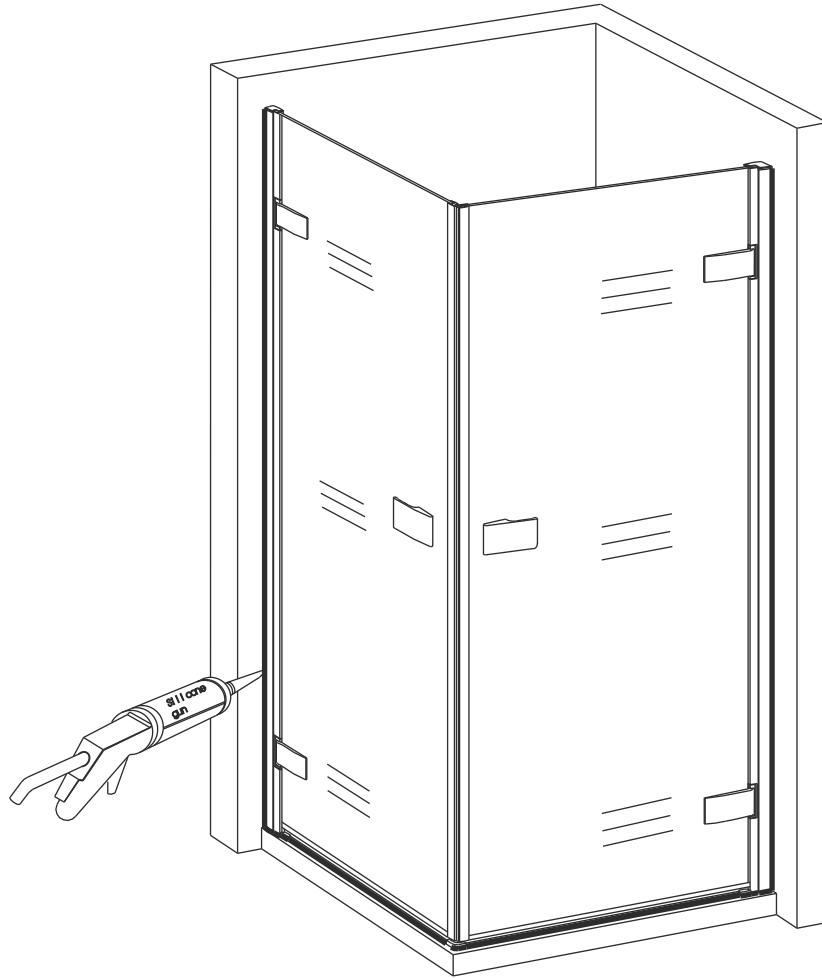
11



12



13



Please ensure silicone sealant is on the outside only.

Eastbrook

Eastbrook Road, Gloucester GL4 3DB
Technical Helpline: 01452 317890
email: technical@eastbrookco.com

Cleaning and Maintenance of Shower Enclosures

Do not clean the shower enclosure with irritant detergents such as alcohol, bleach or other chemical cleaners.

Only clean with mild soapy water or a proprietary cleaner where the label advises it is suitable for the materials the enclosure is constructed from, test on a small area first.

For treating limescale we would recommend distilled vinegar in a half and half solution with water.

Following installation should you find that there is a notable noise when the glass door moves you may add a small amount of silicone lubricant onto the roller wheels and tracks, hinges or clips.

It is the responsibility of the product owner to maintain the product as recommended above. Also to check for parts which have broken or become loose to protect against failure of the enclosure.