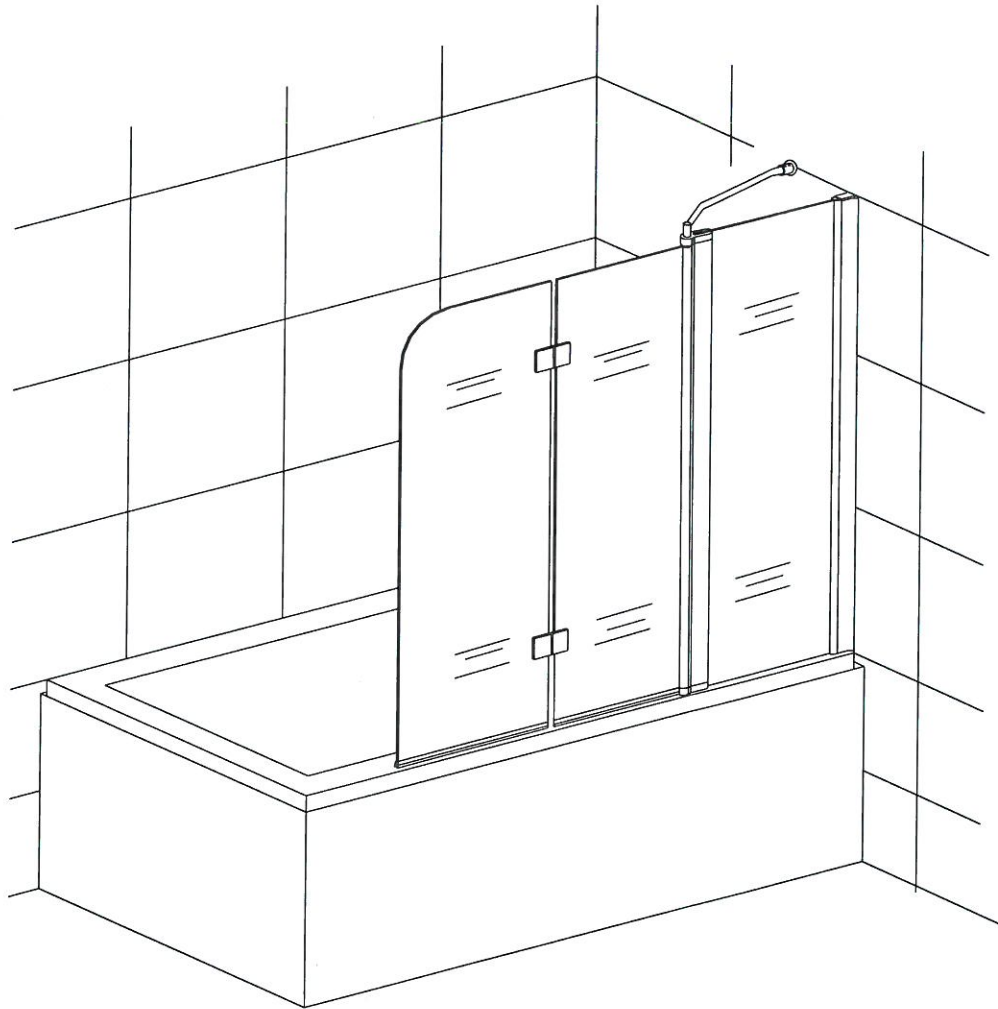


# 58.709

## INSTALLATION MANUAL

This product should only be fitted by a fully qualified installer. Left hand installation pages 1-4. Right hand installation pages 5-8.



This product must be unpacked and checked for quality prior to installation. Any missing parts or damage must be reported to your supplier within 10 days of purchase and before install. No claims can be enforced outside of these terms.



# TOOLS REQUIRED



Pencil



(ø6.ø3.2) bit drill



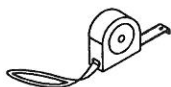
Silicone gun



Torque wrench



Flat and cross screwdriver



Tap measure



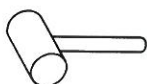
Spirit level



Spanner

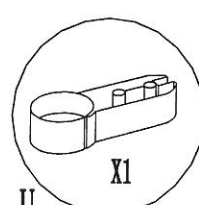
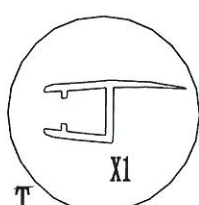
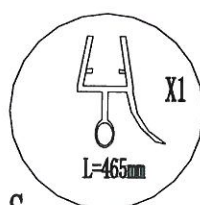
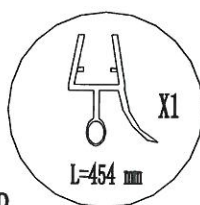
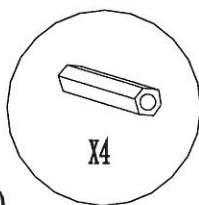
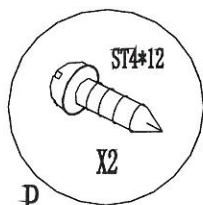
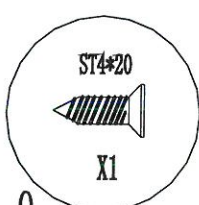
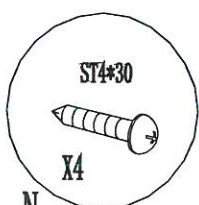
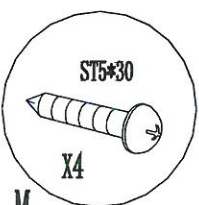
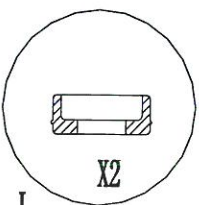
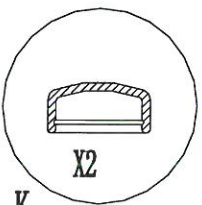
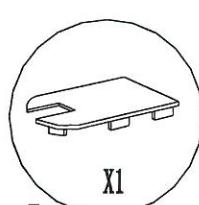
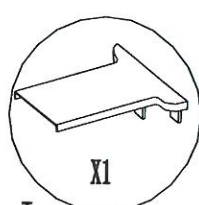
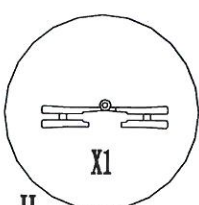
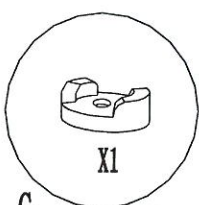
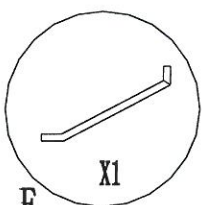
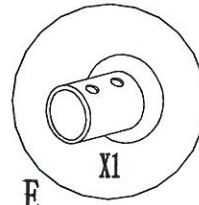
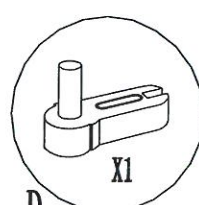
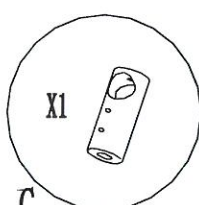
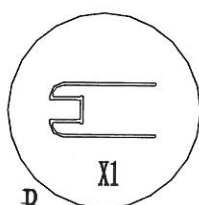
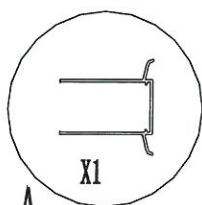


Electric drill

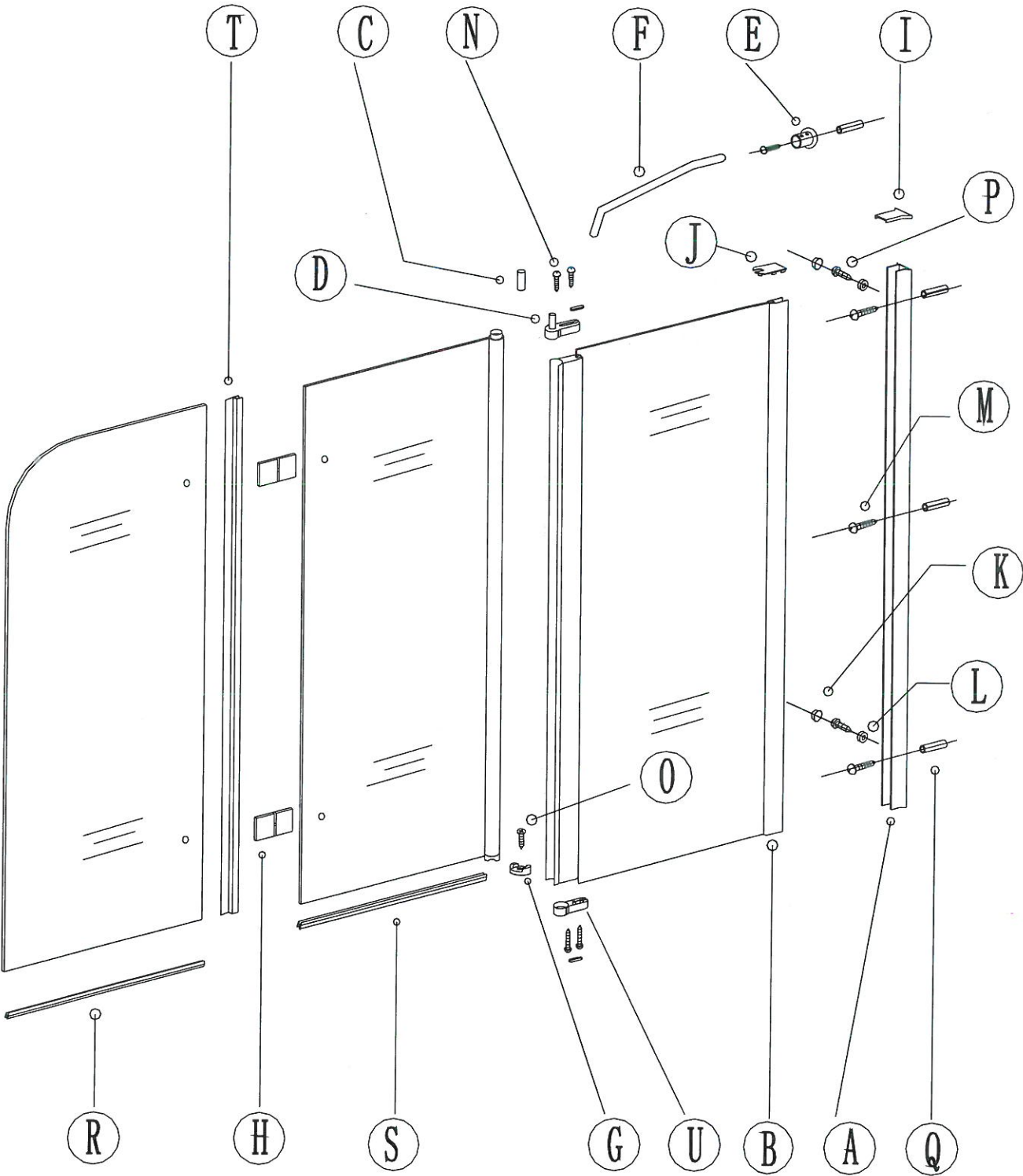


Rubber hammer

# LIST OF SPARE PARTS

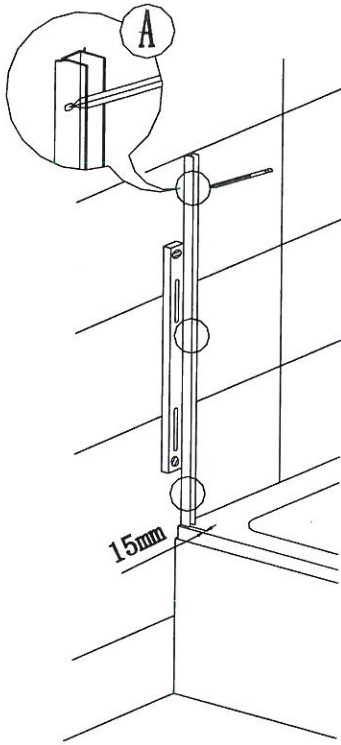


PRODUCT SCHEMATIC DIAGRAM



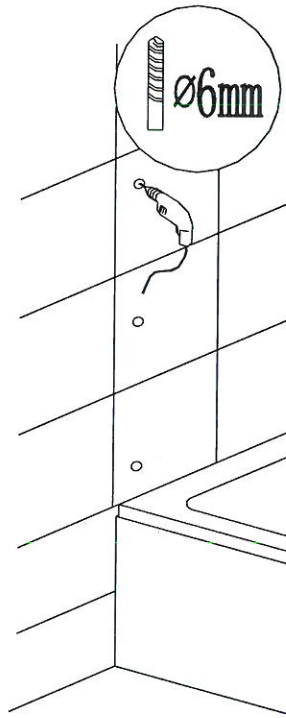
1

Left hand installation.



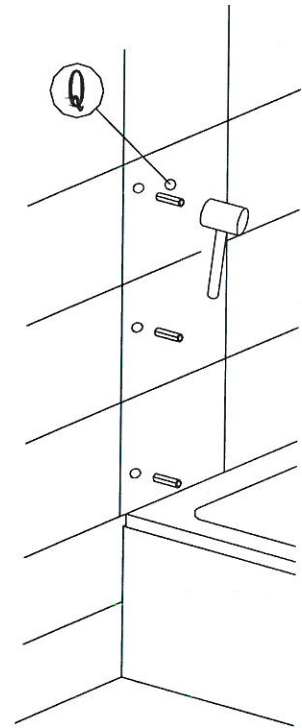
Dry fit required for best position to connect wall profile. Caution - Please also allow for position of support bar bracket (E).

2



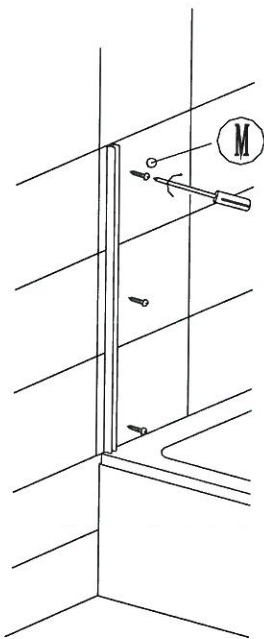
Drill holes in wall.

3



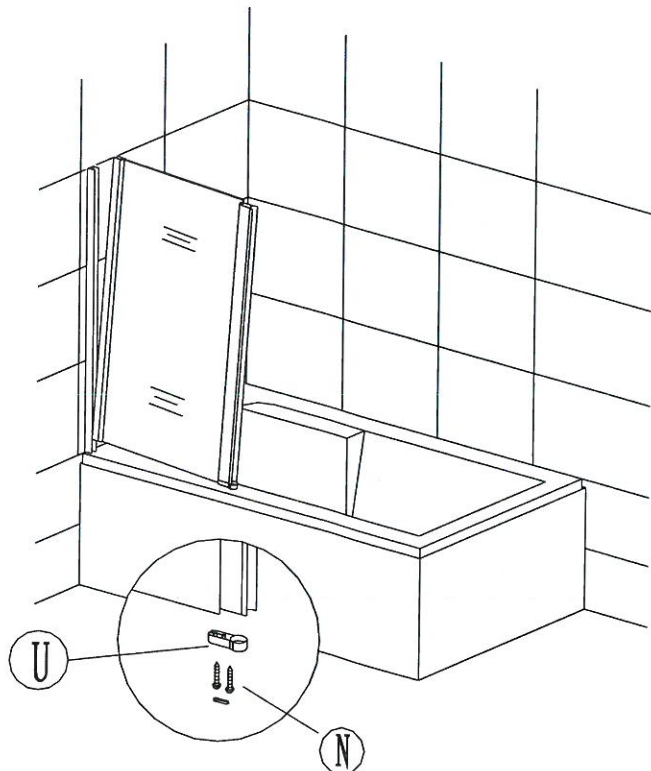
Fit wall profile plugs if a solid wall substitute for hollow wall fixings if necessary (not supplied).

4



Fix wall profile with ST5\*30 screws.

5



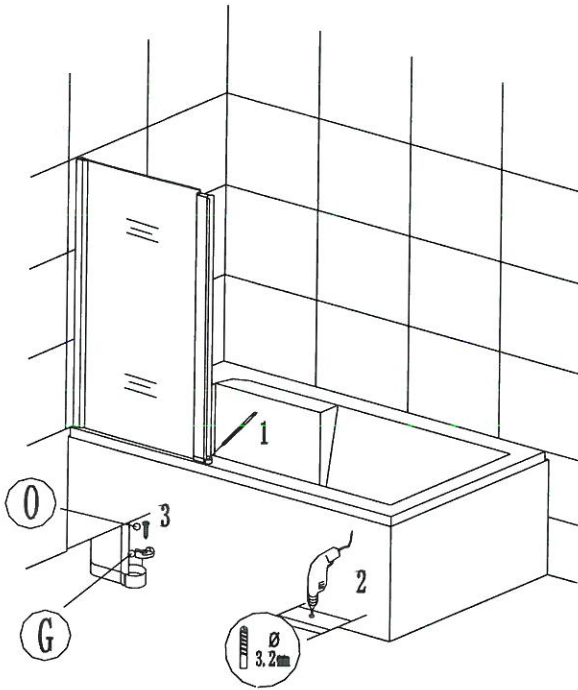
(1) L

Fit hinge cup (U) to bottom end of fixed screen with ST4\*30 screw.



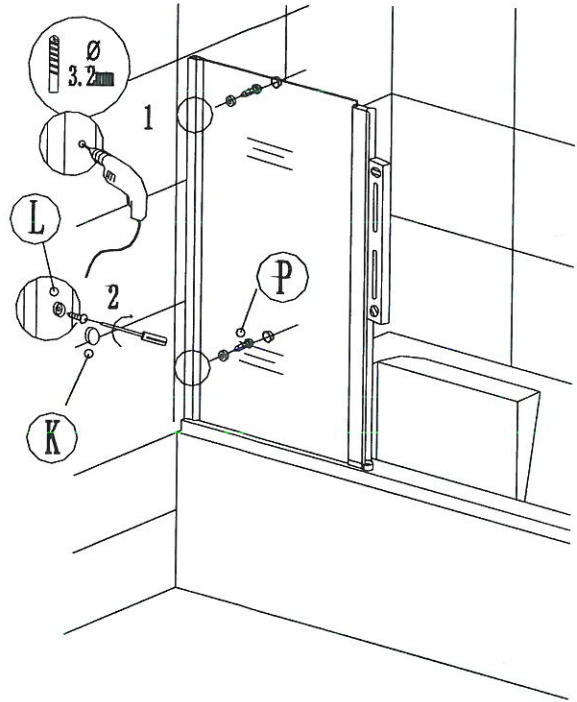
6

Level screen and fit cam (G) into cap (U). Drill guide hole through cam into edge of bath. Fix with ST4\*20 screw.



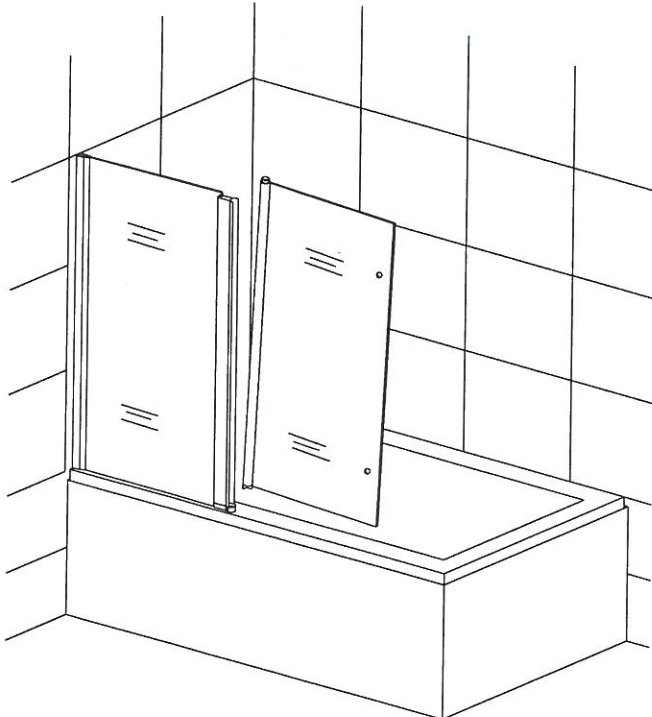
7

Check levels. Fix screen into wall and profile with ST4\*12 and (K) (L) chrome cover caps.

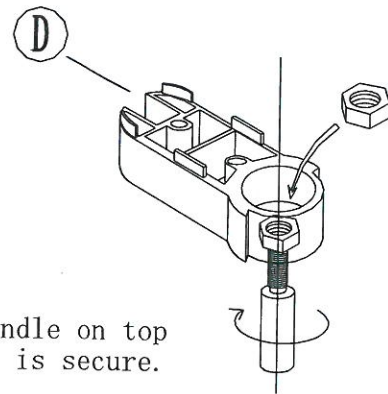


8

Lift second screen into place ensuring it is positioned cam downwards. Check screen is locked into lowest position.



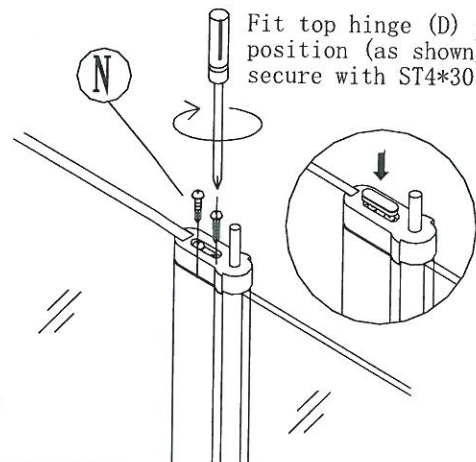
9



Check spindle on top hinge (D) is secure.

10

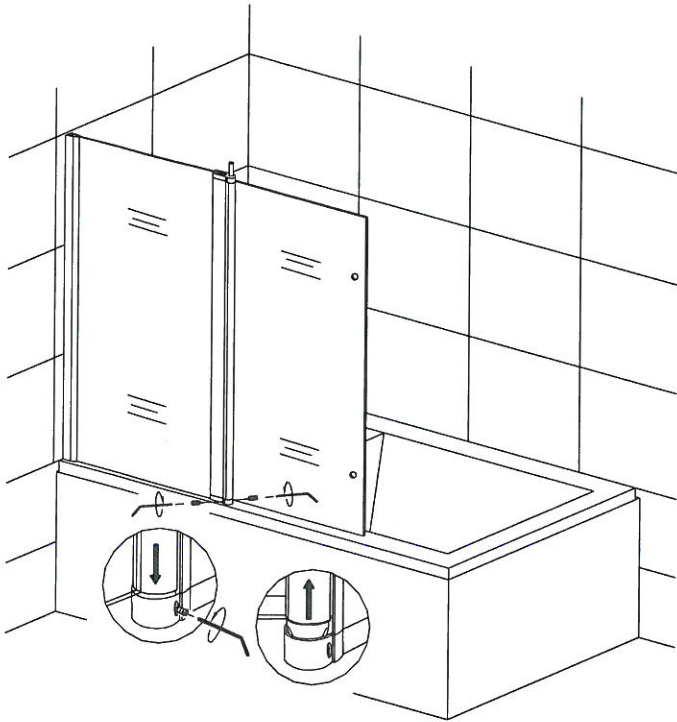
Fit top hinge (D) into position (as shown) and secure with ST4\*30 screws.



(2) L

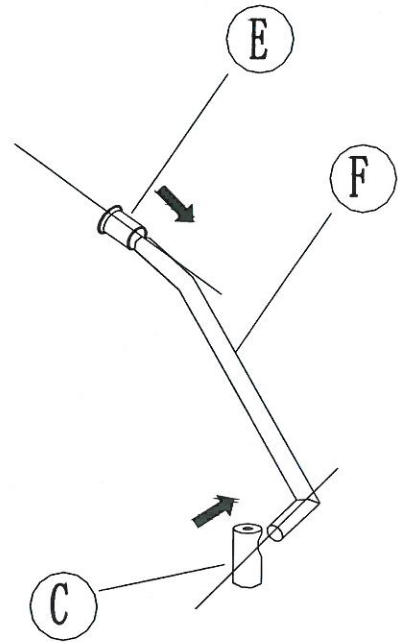
11

Check rise and fall hinge is operating correctly and adjust accordingly with grub screw provided.

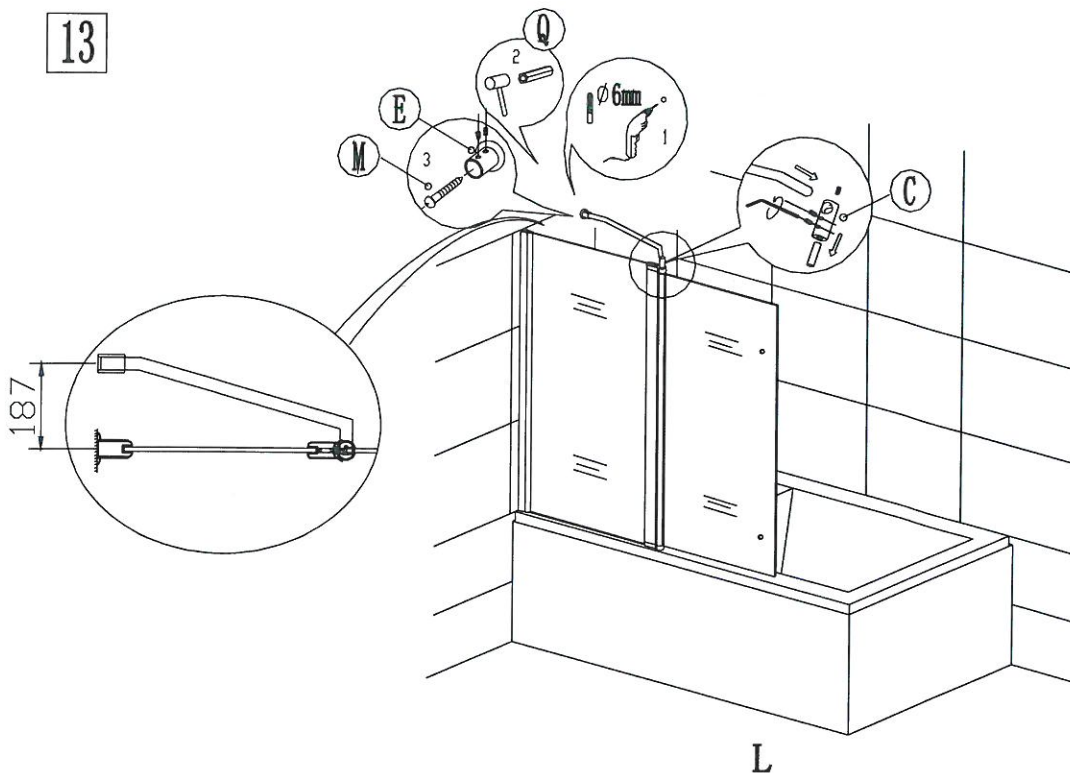


12

Loosely connect components of support bar and dry fit for best position.



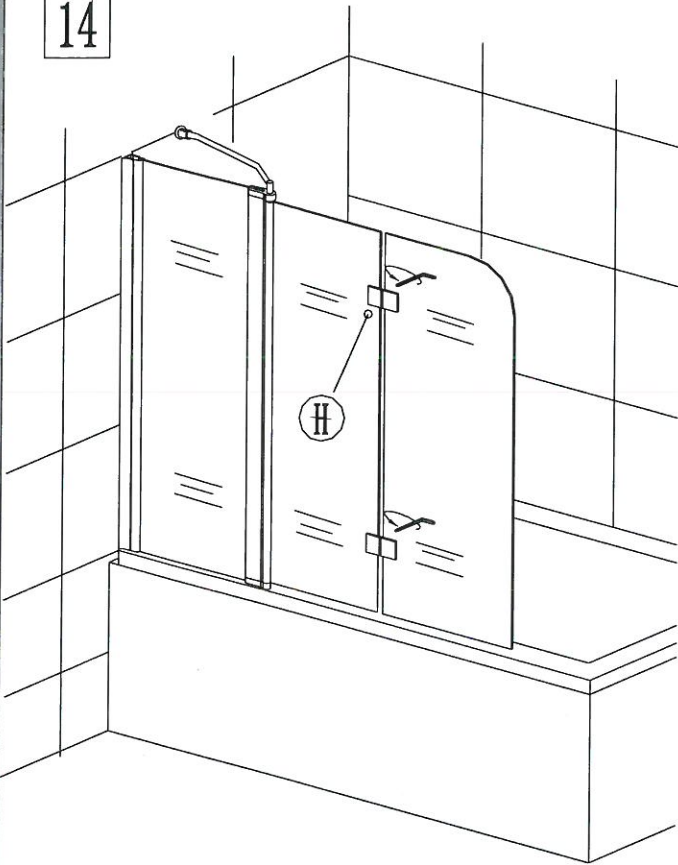
13



Fit support bar wall bracket (E) to wall with ST5\*30 screws. Connect bar (F) into bracket. Fix connector (C) to top hinge (D) and connect bar. Check all fixings are in the correct position and then secure brackets (E) and (C) with grub screws.

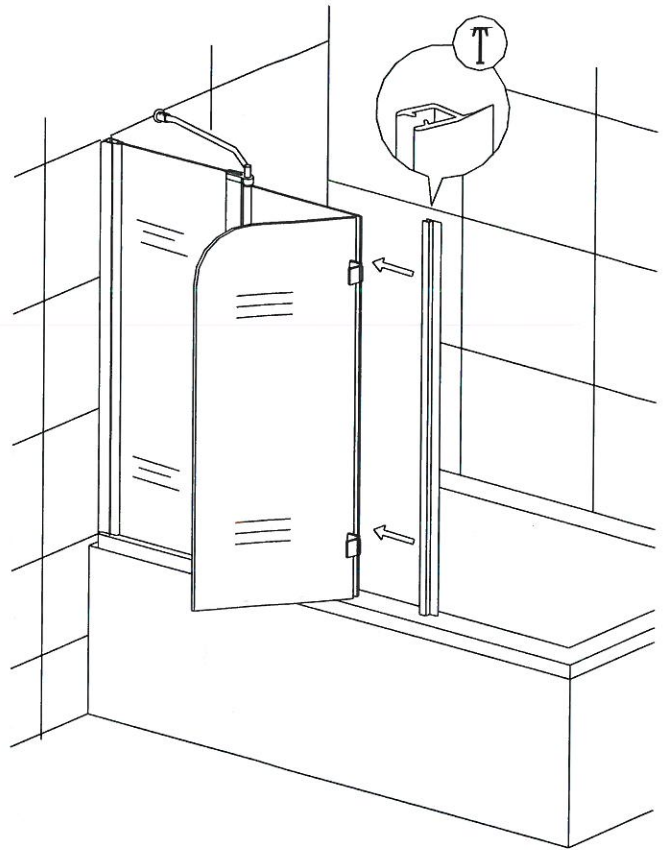
(3)

14



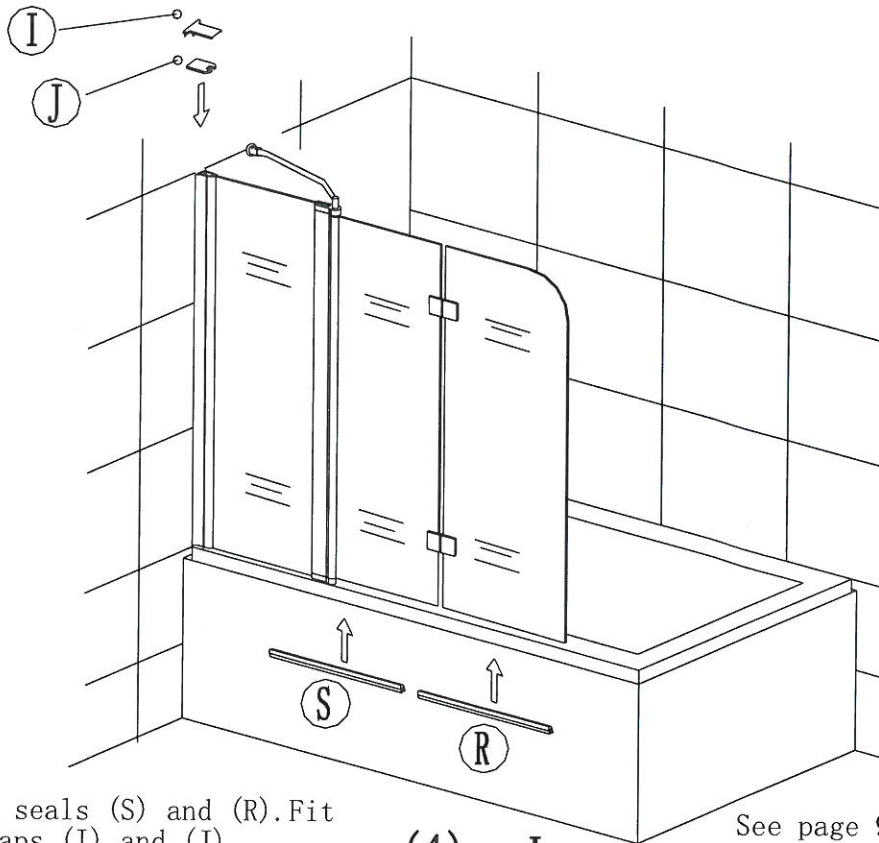
Attach third screen onto second with hinges supplied. Use torque wrench to tighten fixings on hinges to 14 N•M.

15



Fit vertical seal (T) as shown.

16



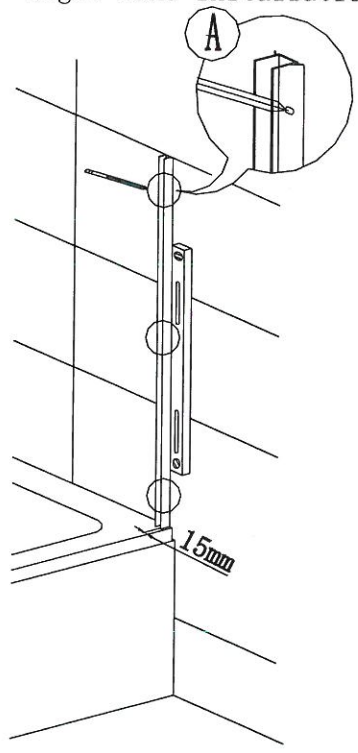
Fit horizontal seals (S) and (R). Fit wall profile caps (I) and (J).

(4) L

See page 9 for silicone instruction.

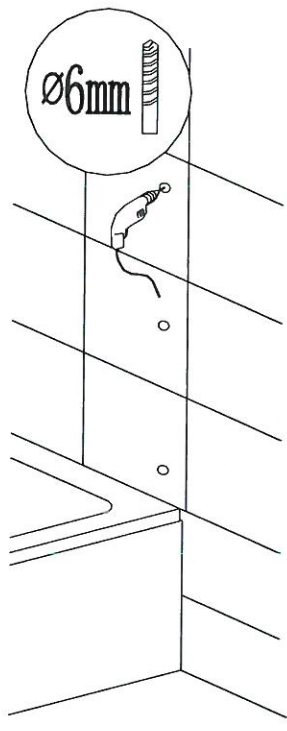


**1** Right hand installation.



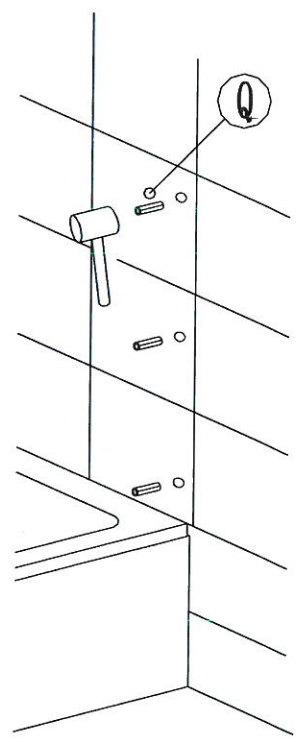
Dry fit required for best position to connect wall profile. Caution - Please also allow for position of support bar bracket (E).

**2**



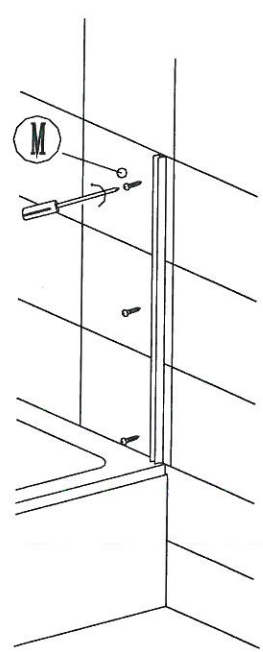
Drill holes in wall.

**3**



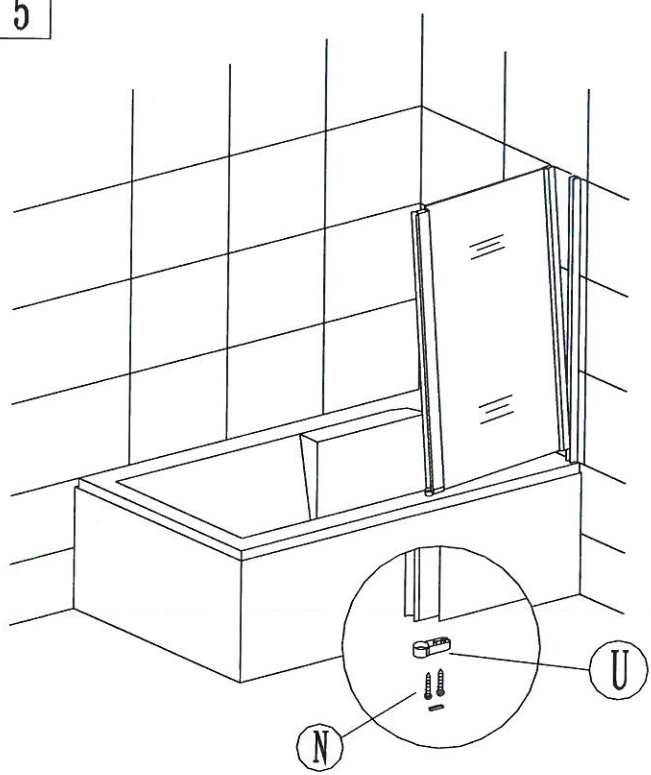
Fit wall profile plugs if a solid wall substitute for hollow wall fixings if necessary (not supplied).

**4**



Fix wall profile with ST5\*30 screws.

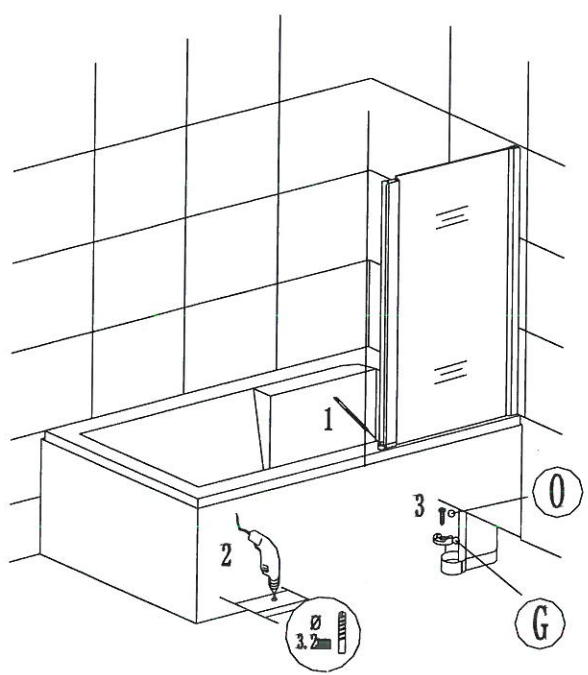
**5**



**(5) R** Fit hinge cup (U) to bottom end of fixed screen with ST4\*30 screw.

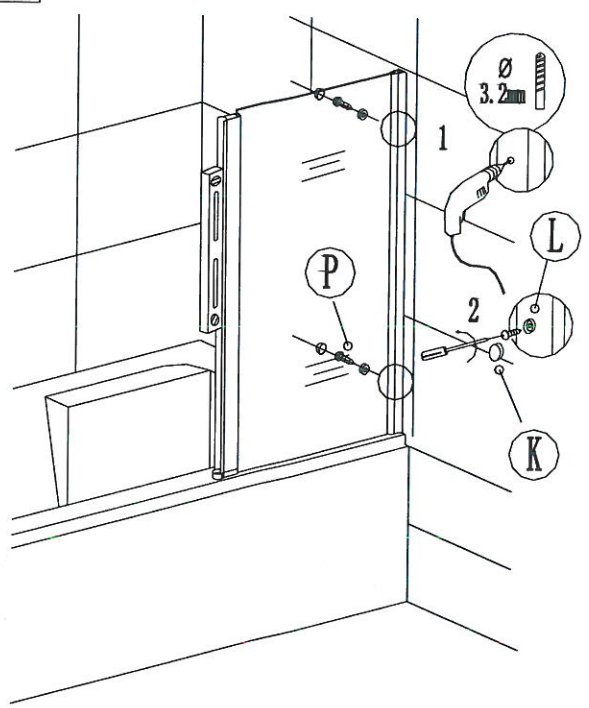


6



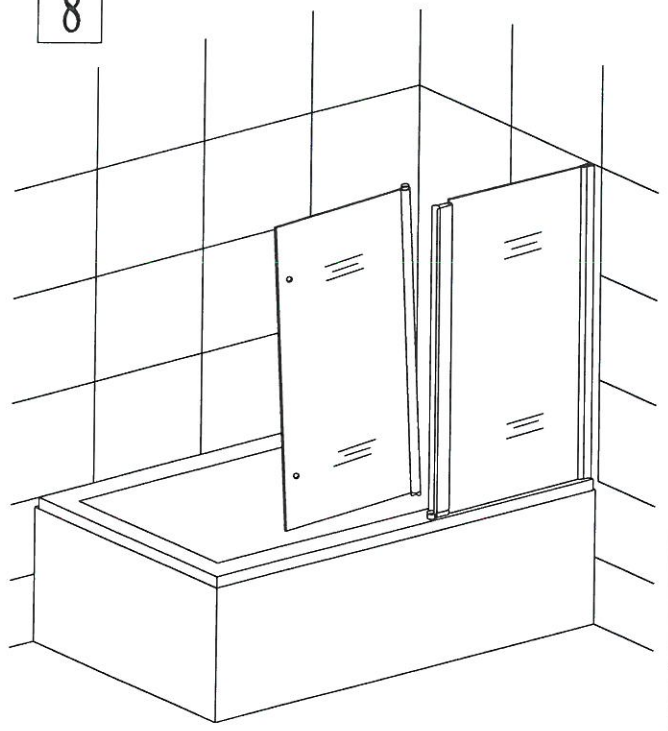
Level screen and fit cam (G) into cap (U). Drill guide hole through cam into edge of bath. Fix with ST4\*20 screw.

7



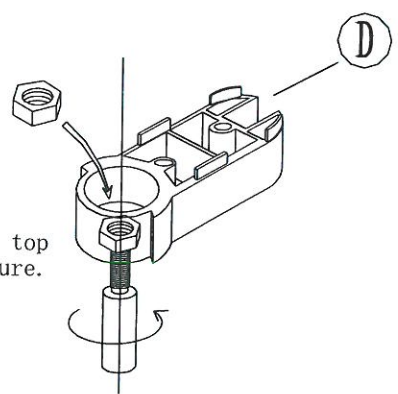
Check levels. Fix screen into wall and profile with ST4\*12 and (K) (L) chrome cover caps.

8



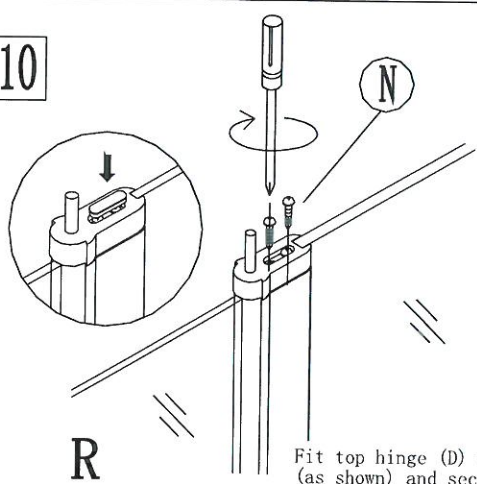
Lift second screen into place ensuring it is positioned cam downwards. Check screen is locked into lowest position.

9



Check spindle on top hinge (D) is secure.

10



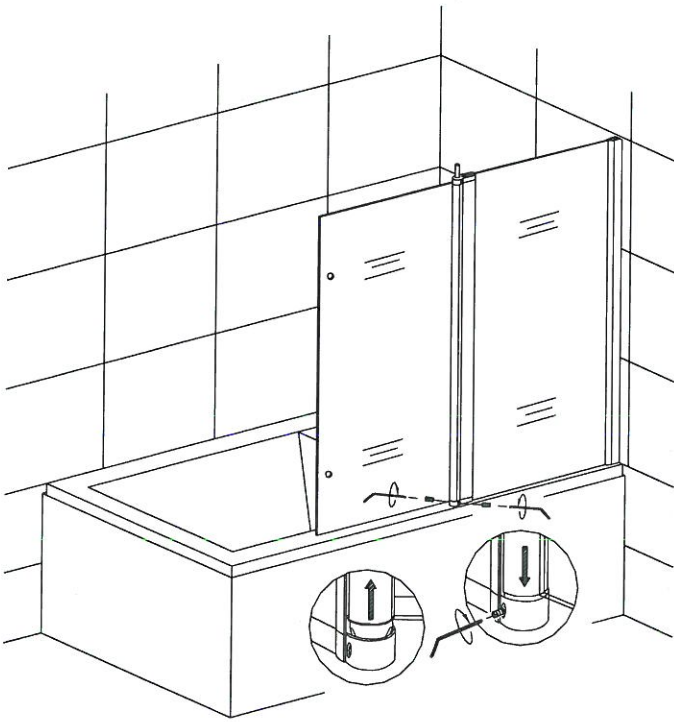
(6)

R

Fit top hinge (D) into position (as shown) and secure with ST4\*30 screws.

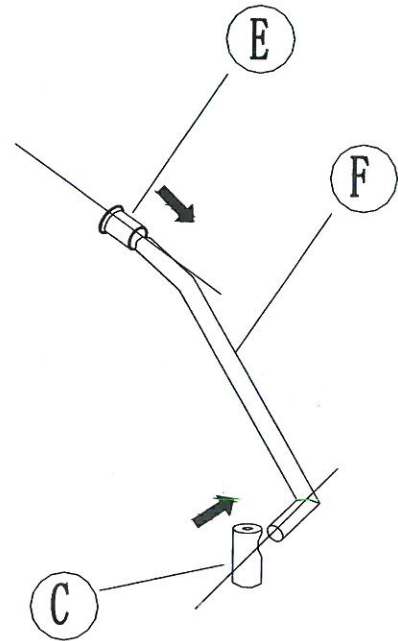
11

Check rise and fall hinge is operating correctly and adjust accordingly with grub screw provided.

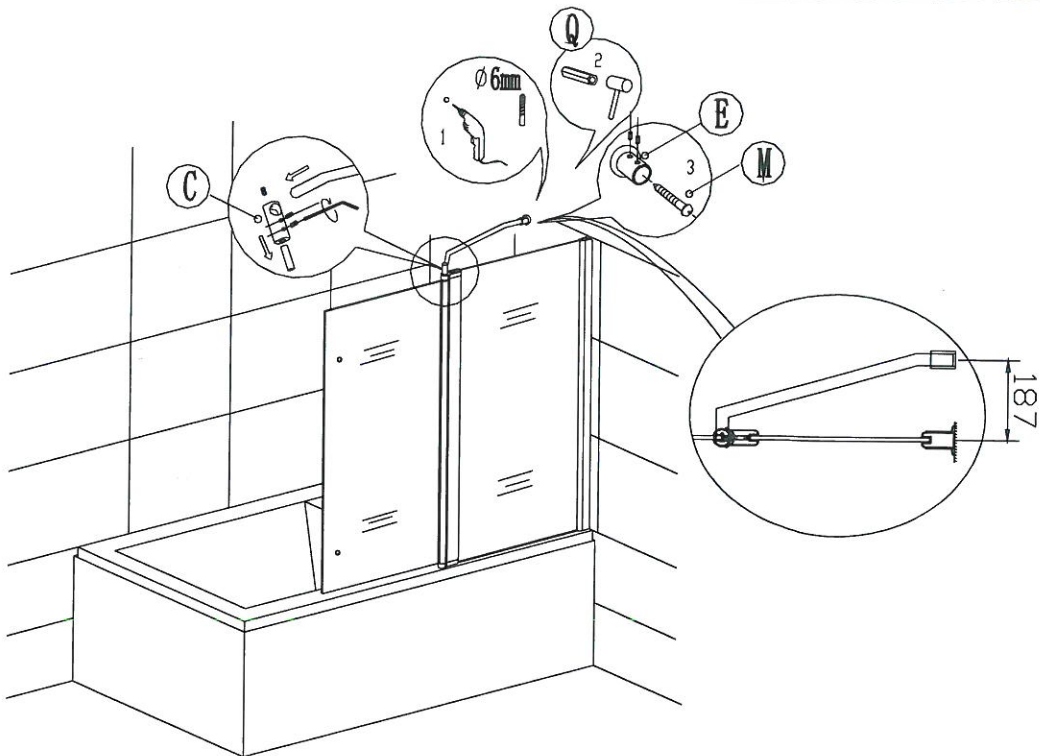


12

Loosely connect components of support bar and dry fit for best position.



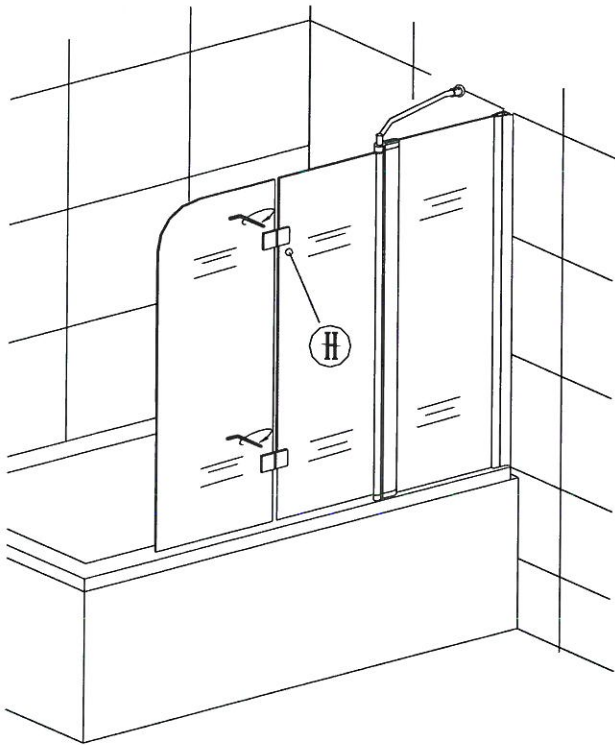
13



R

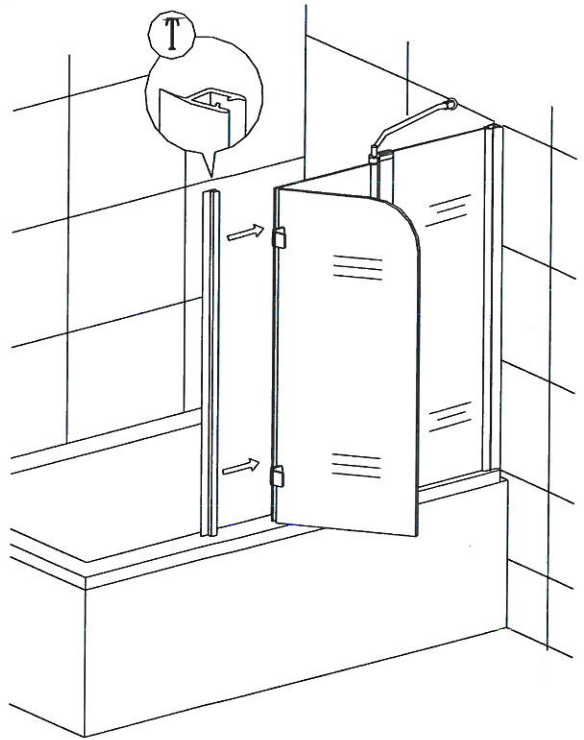
Fit support bar wall bracket (E) to wall with ST5\*30 screws. Connect bar (F) into bracket. Fix connector (C) to top hinge (D) and connect bar. Check all fixings are in the correct position and then secure brackets (E) and (C) with grub screws.

14



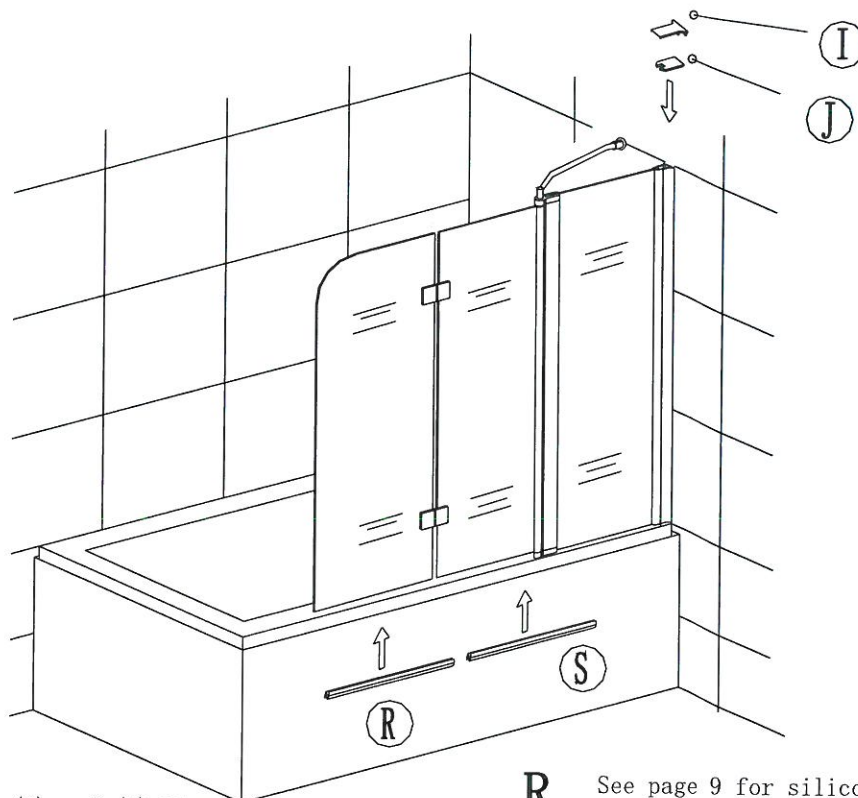
Attach third screen onto second with hinges supplied. Use torque wrench to tighten fixings on hinges to 14N•M.

15



Fit vertical seal (T) as shown.

16

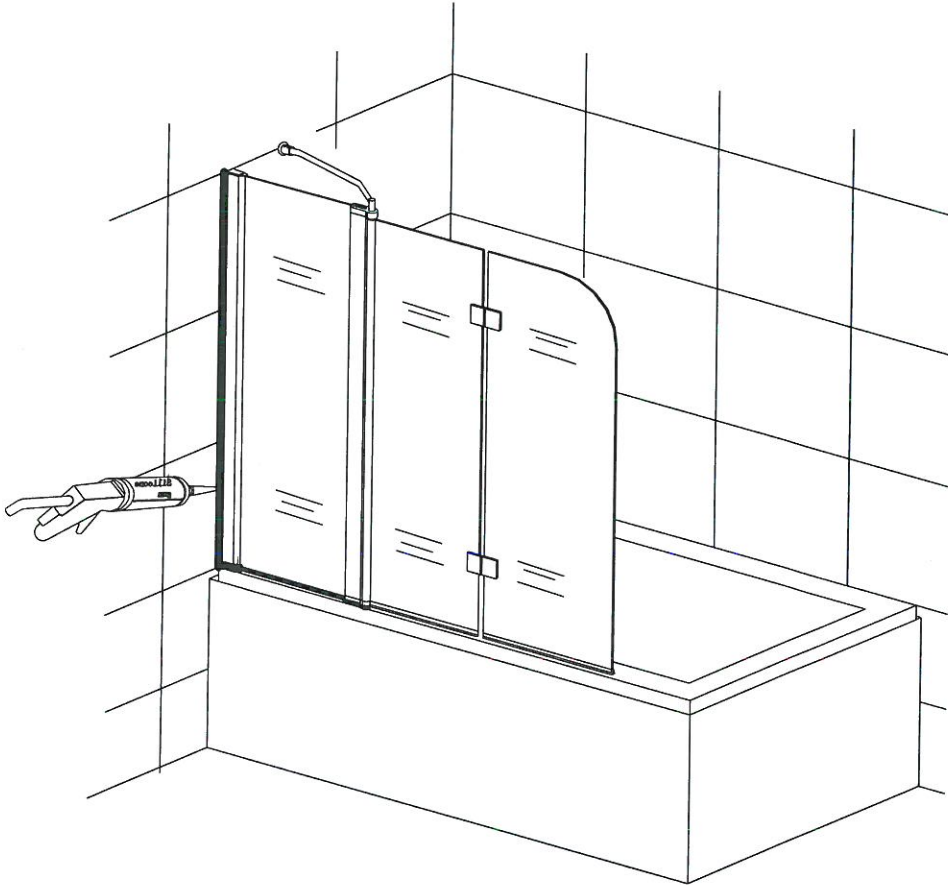


Fit horizontal seals (S) and (R). Fit wall profile caps (I) and (J).

R See page 9 for silicone instruction.



17



Please ensure silicone sealant is on the outside only.

---

### **Cleaning & Maintenance**

Don't clean the shower enclosure with irritant detergent such as alcohol, bleach or other chemical cleaners.

Only clean with warm soapy water.

Regular check that all fixings are secure.

Helpline: 01452317890

Please ensure silicone sealant is on the outside only.

(9)