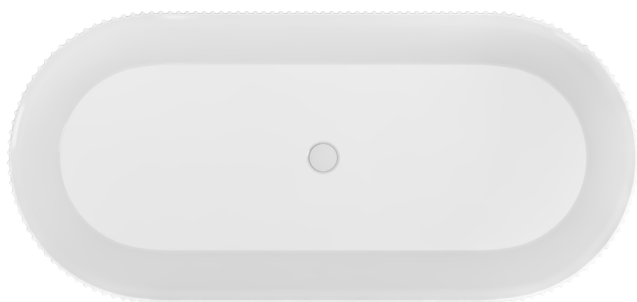


DATASHEET

Image



General Information

Product:	33.0052
Description:	Sandford 1650 Freestanding Bath inc waste
Website Link:	(Click Here)
Product Type:	Freestanding Bath
Brand:	Eastbrook Company
Colour:	White
Material:	Double skinned 4mm thick acrylic
Height (mm):	600mm
Width (mm):	740mm
Length (mm):	1650mm
Net Weight (kg):	37kg
Product Range:	Sandford

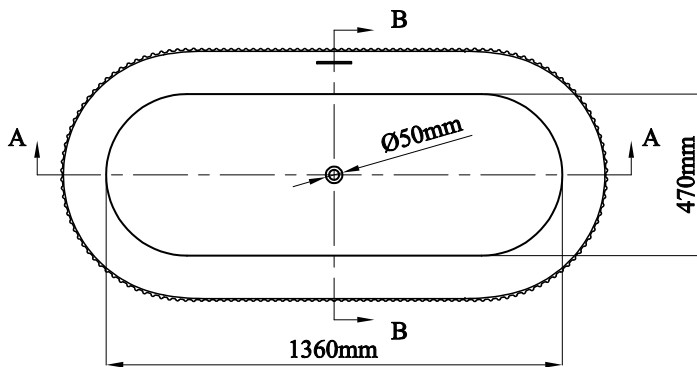
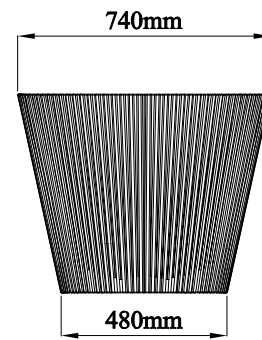
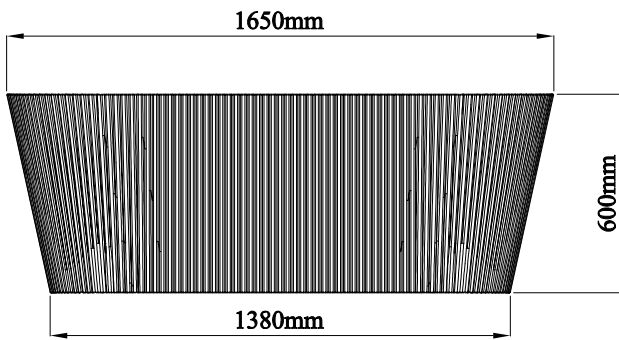
Product Specifications

Warranty:	5 Year(s)
Water Capacity:	270L
Compatible Tap Types:	Floor or wall mounted
Pre-drilled tap holes:	No

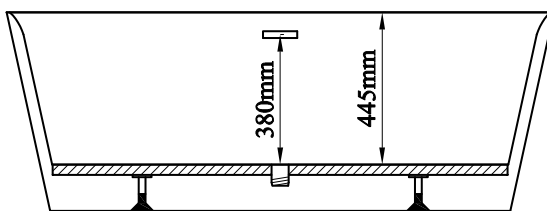
Drawing

Code No.: 33.0052

Dimensions: 1650x740x600 mm



SECTION A-A



SECTION B-B

