

DATASHEET

Image



General Information

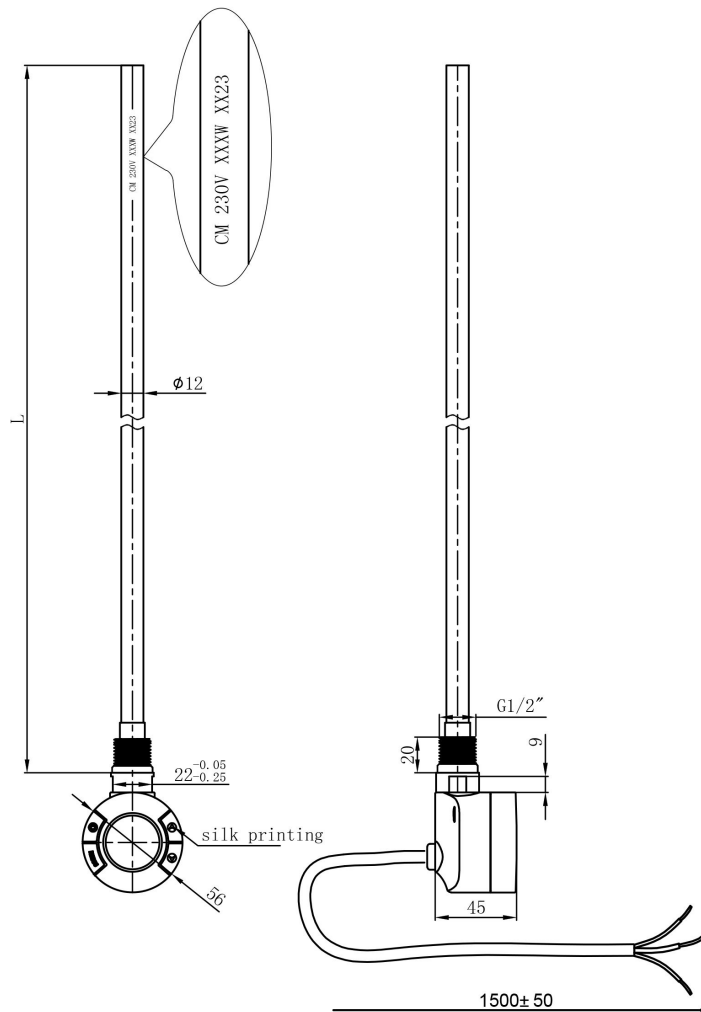
Product:	41.0748
Description:	Type B Element Wi-Fi 900W
Website Link:	(Click Here)
Product Type:	Heating Element
Brand:	Eastbrook Company
Colour:	Chrome
Length (mm):	45mm
Net Weight (kg):	0.43kg
Product Range:	Type B Wi-Fi Element

Product Specifications

Warranty:	2 Year(s)
Watts:	900

Drawing

**Type B Wi-Fi Element
 Technical Drawing**



Power	Resistance Length (L)
150W	245mm.
300W	315mm.
600W	545mm.
900W	755mm.

* Tolerance +/- 5mm.

Notes :

1. Cable colour for gloss white and chrome element is white.
2. Cable colour for matt anthracite and matt black element is black.
3. Cable length for all Type B Wi-Fi elements is 1.5 metre (+/- 5 cm).
4. IP rating is IPX4.

Eastbrook 
 Eastbrook Road, Gloucester GL4 3DB
 Technical Helpline : 01452 317890
 Mon - Fri / 8am - 5pm
 Email : technical@eastbrookco.com