

DATASHEET

Image



General Information

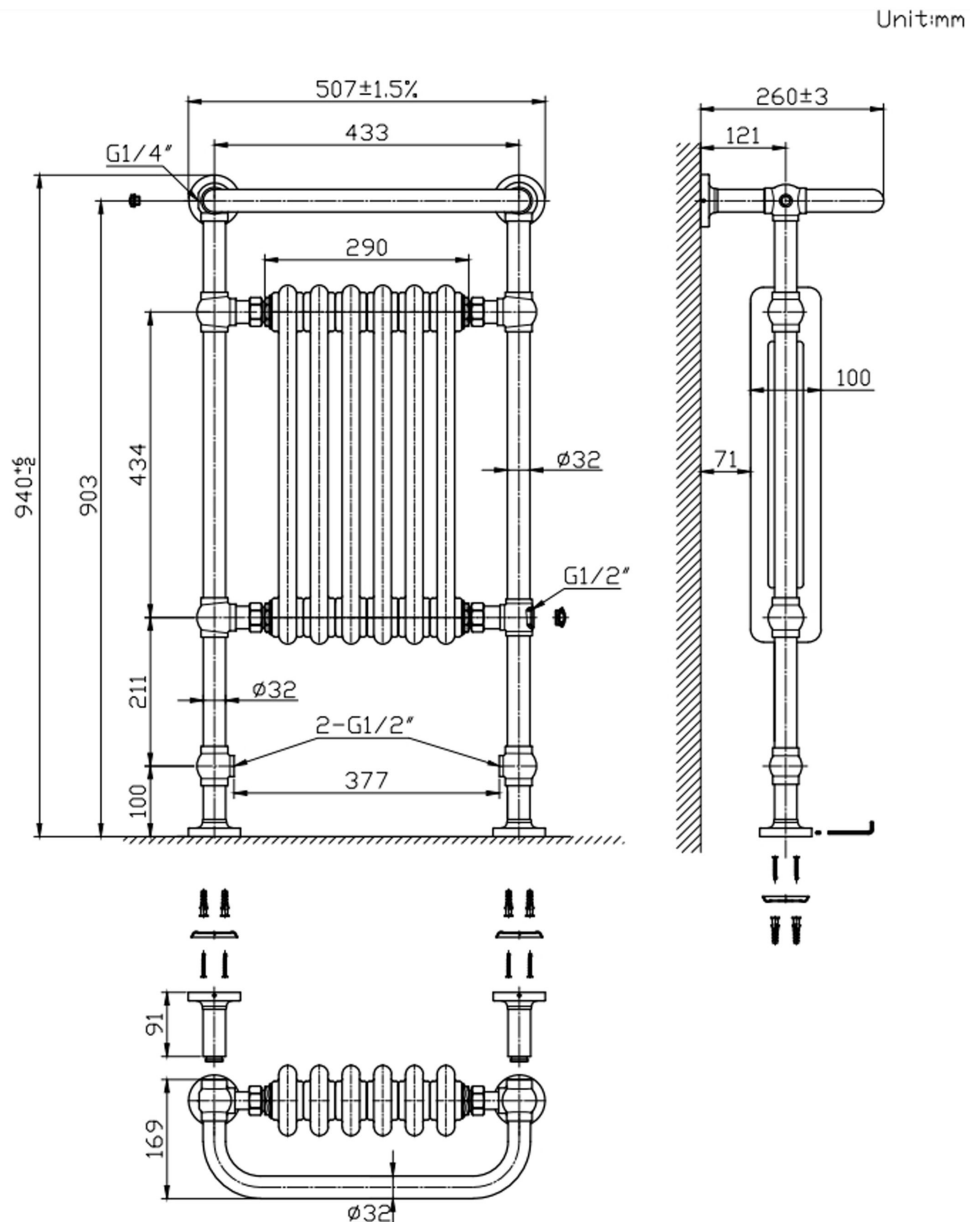
Product:	41.1030
Description:	Isbourne 940 x 507
Brand:	Eastbrook Company
Colour:	Matt Black/Brushed Brass
Height (mm):	940mm
Width (mm):	507mm
Net Weight (kg):	13.1kg
Product Range:	Isbourne

Product Specifications

BTU $\Delta T50^{\circ}\text{C}$:	1337
BTU $\Delta T60^{\circ}\text{C}$:	1678
Watts $\Delta T50^{\circ}\text{C}$:	392
Watts $\Delta T60^{\circ}\text{C}$:	492

Drawing

Isbourne 940 x 507mm. Technical Drawing



Tappings : 377mm.
Tappings from wall : 121mm.
Distance from wall : 260mm.

This product should be fitted by a fully qualified installer.

Eastbrook 
Eastbrook Road, Gloucester GL4 3DB
Technical Helpline : 01452 317890
Mon - Fri / 8am - 5pm
Email : technical@eastbrookco.com