

## DATASHEET

### Image



### General Information

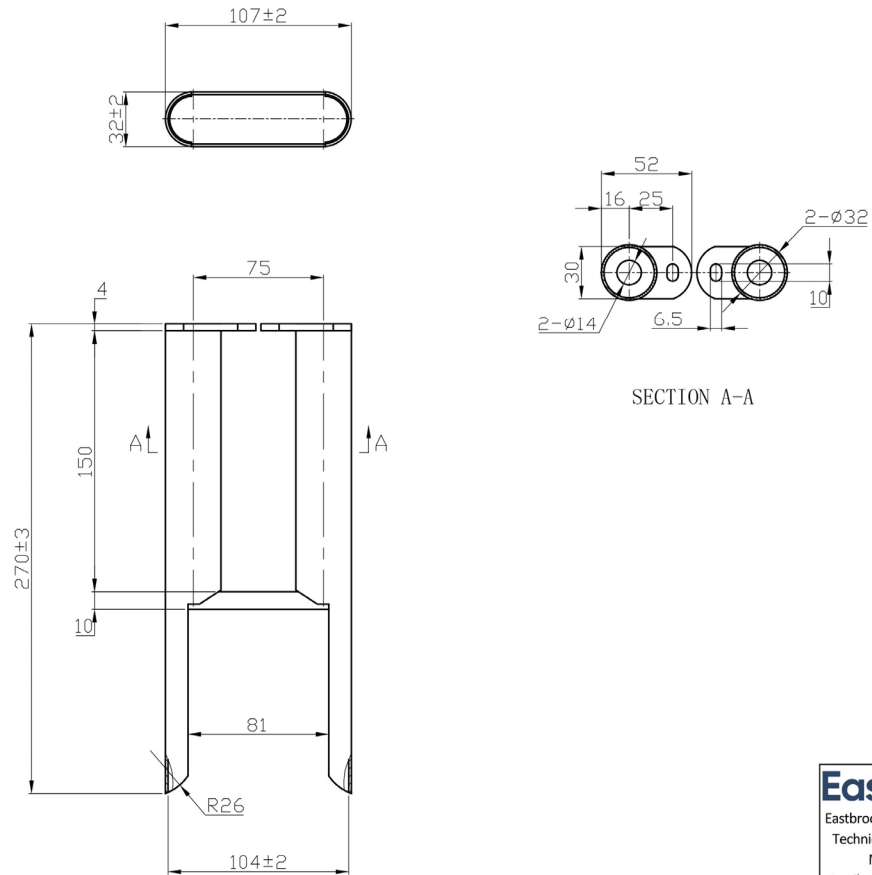
Product:	41.0360
Description:	Imperia 3 Column Radiator Feet (pair)
Website Link:	<a href="#">(Click Here)</a>
Product Type:	Radiator Feet
Brand:	Eastbrook Company
Colour:	Matt Anthracite
Material:	Mild Steel
Net Weight (kg):	0.9kg
Product Range:	Imperia

### Product Specifications

Warranty:	5 Year(s)
-----------	-----------

## Drawing

### Imperia 3 Column Radiator Feet Technical Drawing



**Eastbrook**   
Eastbrook Road, Gloucester GL4 3DB  
Technical Helpline : 01452 317890  
Mon - Fri / 8am - 5pm  
Email : [technical@eastbrookco.com](mailto:technical@eastbrookco.com)