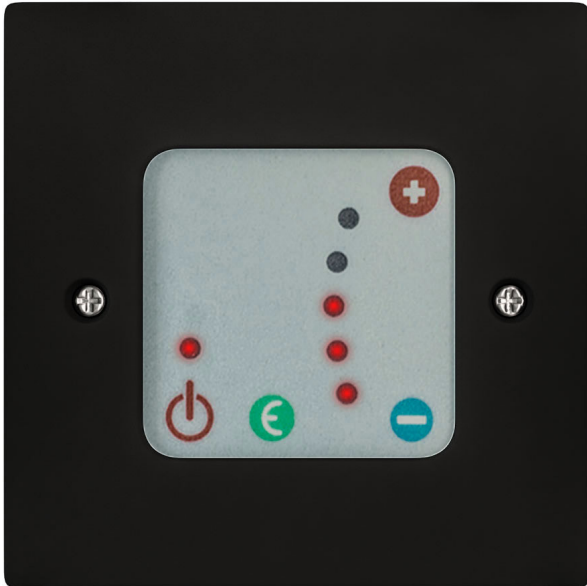


DATASHEET

Image



General Information

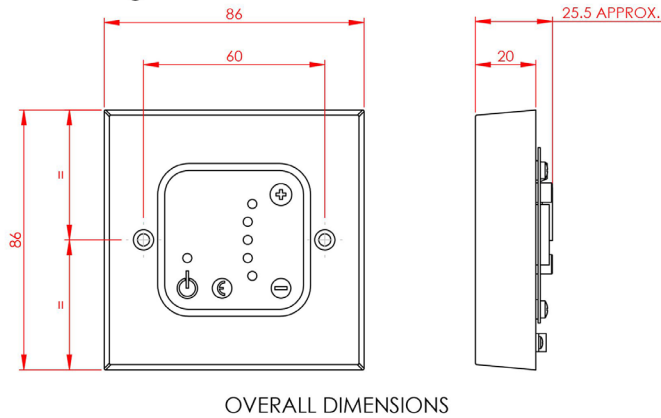
Product:	67.0012
Description:	Crafton II Temperature Control Panel
Website Link:	(Click Here)
Product Type:	Heating Element
Brand:	Eastbrook Company
Colour:	Black
Net Weight (kg):	0.03kg
Product Range:	Crafton II

Product Specifications

Warranty:	1 Year(s)
-----------	-----------

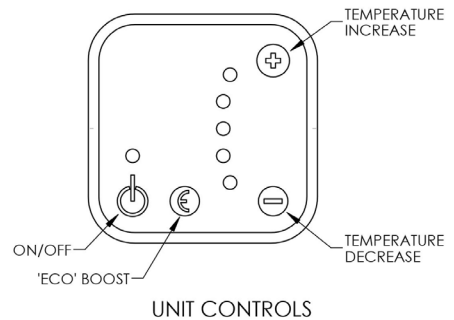
Drawing

Crafton II Temperature Control Panel Technical Drawing



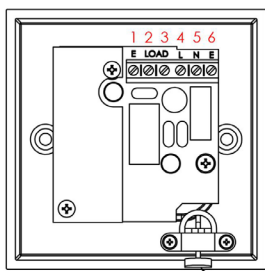
OVERALL DIMENSIONS

SAFETY PRECAUTIONS:
 THIS PRODUCT SHOULD BE FITTED BY A COMPETENT PERSON WHO CAN ENSURE COMPLIANCE WITH IEE, PART P AND LOCAL AUTHORITY REGULATIONS. ENSURE THE MAINS ELECTRICAL CIRCUIT AND THE FUSED SPUR UNIT ARE BOTH ISOLATED BEFORE FITTING. THIS UNIT SHOULD NOT BE FITTED IN IEE BATHROOM ZONE 1.



UNIT CONTROLS

WIRING INSTRUCTIONS:
 A FUSED SPUR IS REQUIRED IN THE SUPPLY CIRCUIT TO THE CONTROLLER, FITTED WITH THE CORRECT SIZE FUSE. THE 2 x E & 2 x N TERMINALS LINKED ON THE PRINTED CIRCUIT BOARD



WIRING DETAILS

TERMINAL	WIRE
ELECTRICAL ELEMENT WIRES (OUT)	
1	GREEN/YELLOW EARTH
2	BLUE NEUTRAL
3	BROWN LIVE
MAINS CABLE WIRES (IN)	
4	BROWN LIVE
5	BLUE NEUTRAL
6	GREEN/YELLOW EARTH

VERY IMPORTANT - THIS UNIT MUST BE EARTHED

TECHNICAL DATA:
 INGRESS PROTECTION: IPX4.
 VOLTAGE: 230-245 VAC.
 MAXIMUM POWER OUTPUT: 1000w.
 APPROVALS: CE, TESTED TO EN55014-1:2006

Eastbrook
 Eastbrook Road, Gloucester GL4 3DB
 Technical Helpline : 01452 317890
 Mon - Fri / 8am - 5pm
 Email : technical@eastbrookco.com