

## DATASHEET

### Image



### General Information

Product:	54.0050
Description:	Corner Radiator Valves (pair)
Website Link:	<a href="#">(Click Here)</a>
Product Type:	Radiator Valve
Brand:	Eastbrook Company
Colour:	Matt Anthracite
Height (mm):	14mm
Width (mm):	5.5mm
Length (mm):	8mm
Net Weight (kg):	0.57kg
Product Range:	Radiator Valves

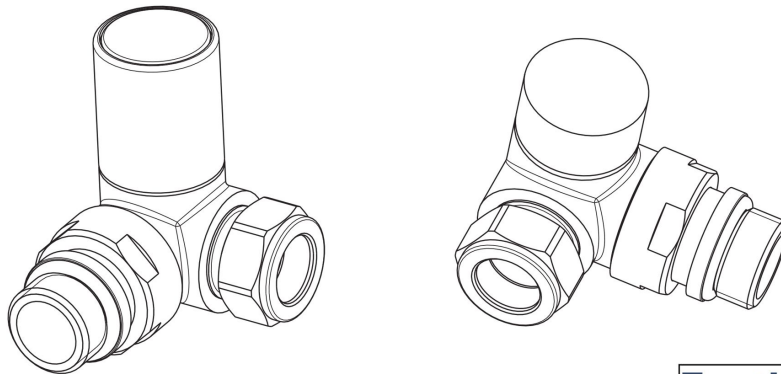
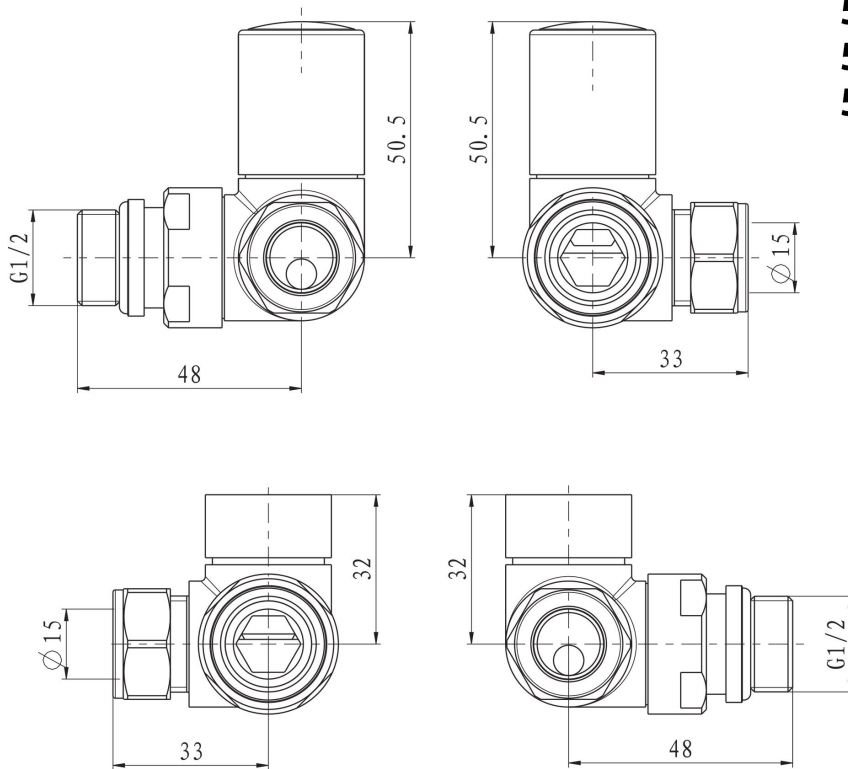
### Product Specifications

Warranty:	2 Year(s)
Valve Types:	Corner

## Drawing

### Corner Manual Radiator Valves (pair) Technical Drawing

**54.0048**  
**54.0049**  
**54.0050**  
**54.0051**  
**54.0052**



**Eastbrook **  
Eastbrook Road, Gloucester GL4 3DB  
Technical Helpline : 01452 317890  
Mon - Fri / 8am - 5pm  
Email : [technical@eastbrookco.com](mailto:technical@eastbrookco.com)