

DATASHEET

Image



General Information

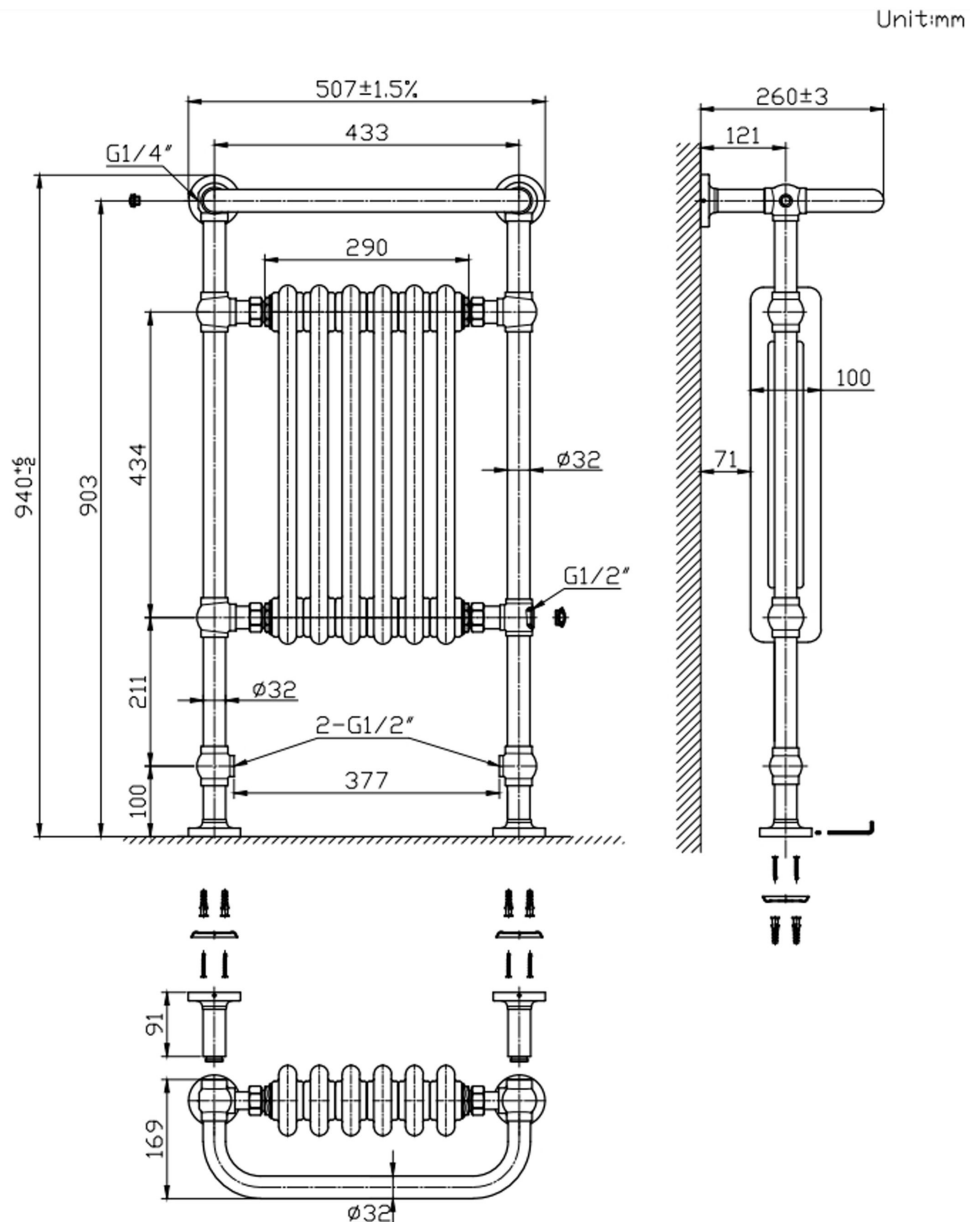
Product:	41.0807
Description:	Isbourne 940 x 507
Website Link:	(Click Here)
Product Type:	Radiator
Brand:	Eastbrook Company
Colour:	Chrome/Matt Anthracite
Material:	Mild Steel
Height (mm):	940mm
Width (mm):	507mm
Net Weight (kg):	13.1kg
Product Range:	Isbourne

Product Specifications

Warranty:	5 Year(s)
-----------	-----------

Drawing

Isbourne 940 x 507mm. Technical Drawing



Tappings : 377mm.
Tappings from wall : 121mm.
Distance from wall : 260mm.

This product should be fitted by a fully qualified installer.

Eastbrook 
Eastbrook Road, Gloucester GL4 3DB
Technical Helpline : 01452 317890
Mon - Fri / 8am - 5pm
Email : technical@eastbrookco.com