

## DATASHEET

### Image



### General Information

Product:	12.077
Description:	15mm Corner TRV and Lockshield Valve
Brand:	Eastbrook Company
Colour:	Black Gold
Material:	Brass + Plastic
Net Weight (kg):	0.65kg
Product Range:	Radiator Valves

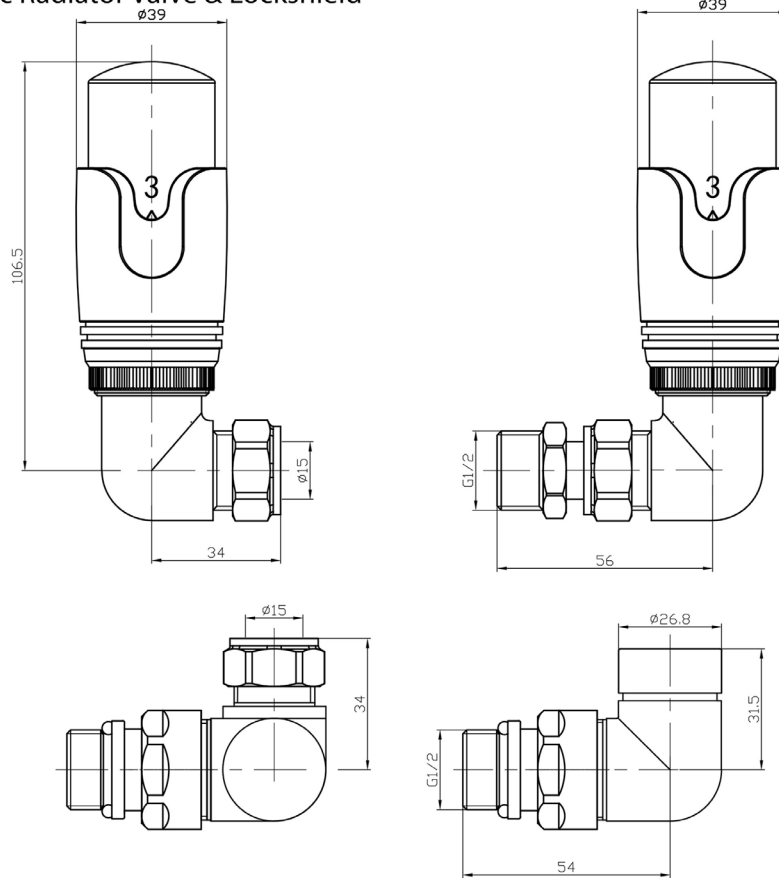
### Product Specifications

Warranty:	2 Year(s)
Valve Types:	Corner

## Drawing

### Eastbrook

Corner Thermostatic Radiator Valve & Lockshield  
Technical Drawing



12.049  
12.045  
12.061  
41.3037  
12.053  
12.054  
12.055  
12.056  
12.057  
12.077  
12.080  
12.086

**Eastbrook**   
Eastbrook Road, Gloucester GL4 3DB  
Technical Helpline : 01452 317890  
Mon - Fri / 8am - 5pm  
Email : [technical@eastbrookco.com](mailto:technical@eastbrookco.com)