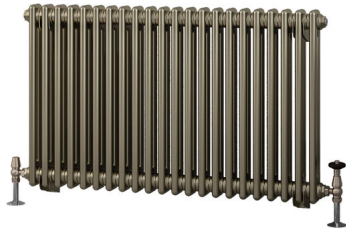


## DATASHEET

### Image



### General Information

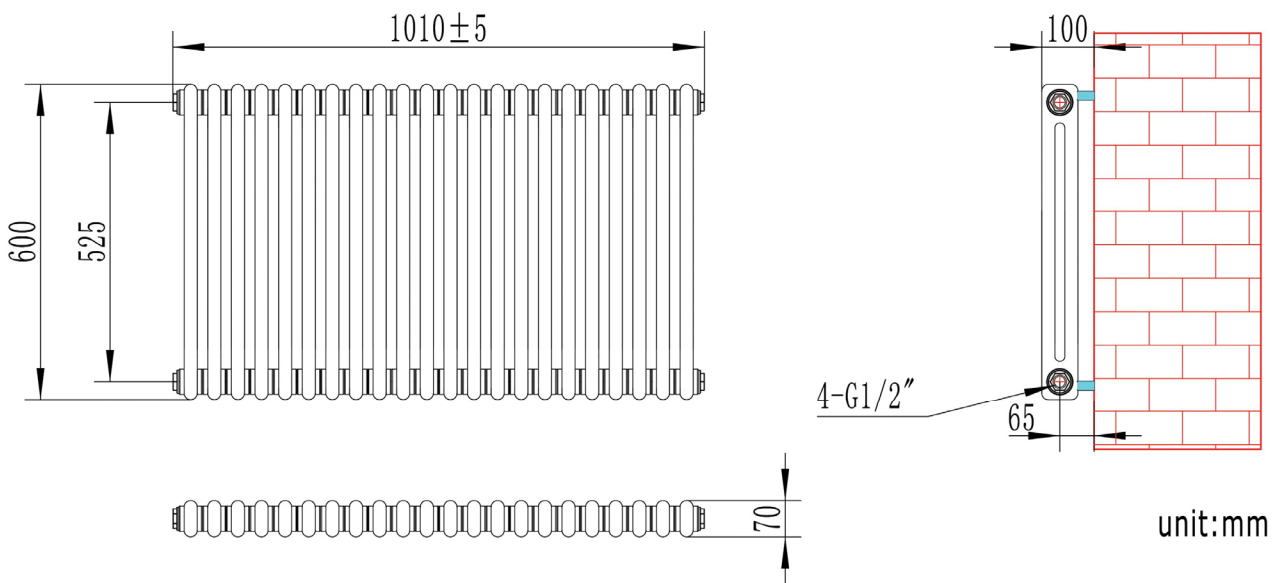
Product:	81.0110
Description:	Rivassa 2 Column Radiator 600 x 1010mm
Website Link:	<a href="#">(Click Here)</a>
Product Type:	Radiator
Brand:	Eastbrook Company
Colour:	Bronze Effect
Material:	Mild Steel
Height (mm):	600mm
Width (mm):	1010mm
Net Weight (kg):	25.2kg
Product Range:	Rivassa

### Product Specifications

Warranty:	5 Year(s)
Supplied with fixings:	Yes
Orientation:	Horizontal
BTU $\Delta T50^{\circ}\text{C}$ :	3692
BTU $\Delta T60^{\circ}\text{C}$ :	4727
Watts $\Delta T50^{\circ}\text{C}$ :	1082
Watts $\Delta T60^{\circ}\text{C}$ :	1385

## Drawing

### Rivassa 2 Column Horizontal 600 x 1010mm. Technical Drawing



**Eastbrook**   
Eastbrook Road, Gloucester GL4 3DB  
Technical Helpline : 01452 317890  
Mon - Fri / 8am - 5pm  
Email : technical@eastbrookco.com