

DATASHEET

Image



General Information

| | |
|------------------|------------------------------------------------|
| Product: | 12.066 |
| Description: | Corner Manual Dual Fuel Radiator Valves (pair) |
| Website Link: | (Click Here) |
| Product Type: | Manual Valve |
| Brand: | Eastbrook Company |
| Colour: | Matt Black |
| Net Weight (kg): | 0.685kg |
| Product Range: | Radiator Valves |

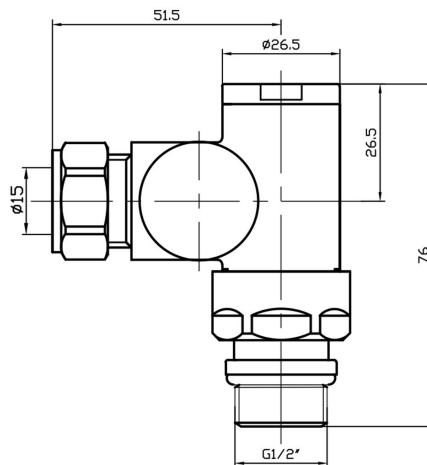
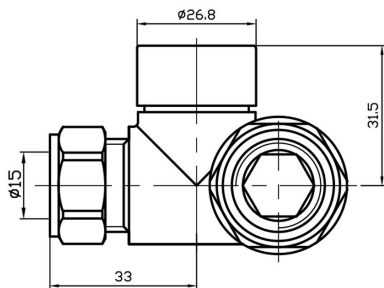
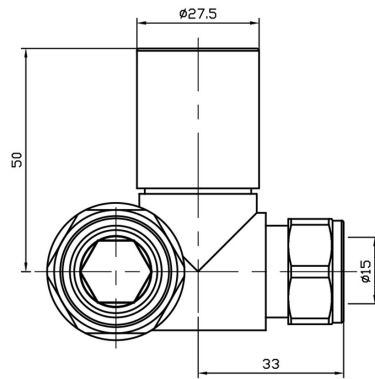
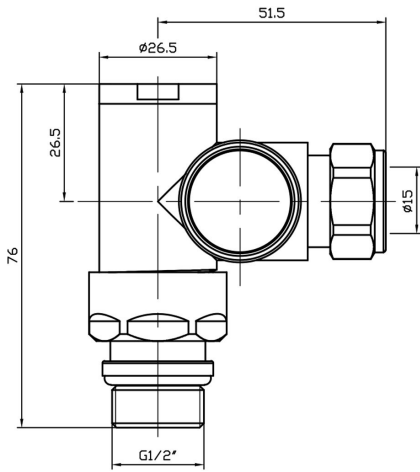
Product Specifications

| | |
|--------------|-----------|
| Warranty: | 2 Year(s) |
| Valve Types: | Dual Fuel |

Drawing

12.062
12.063
12.064
12.065
12.066
Technical Drawing

Corner Manual Dual Fuel Valves Technical Drawing



Eastbrook 
Eastbrook Road, Gloucester GL4 3DB
Technical Helpline : 01452 317890
Mon - Fri / 8am - 5pm
Email : technical@eastbrookco.com