

## DATASHEET

### Image



### General Information

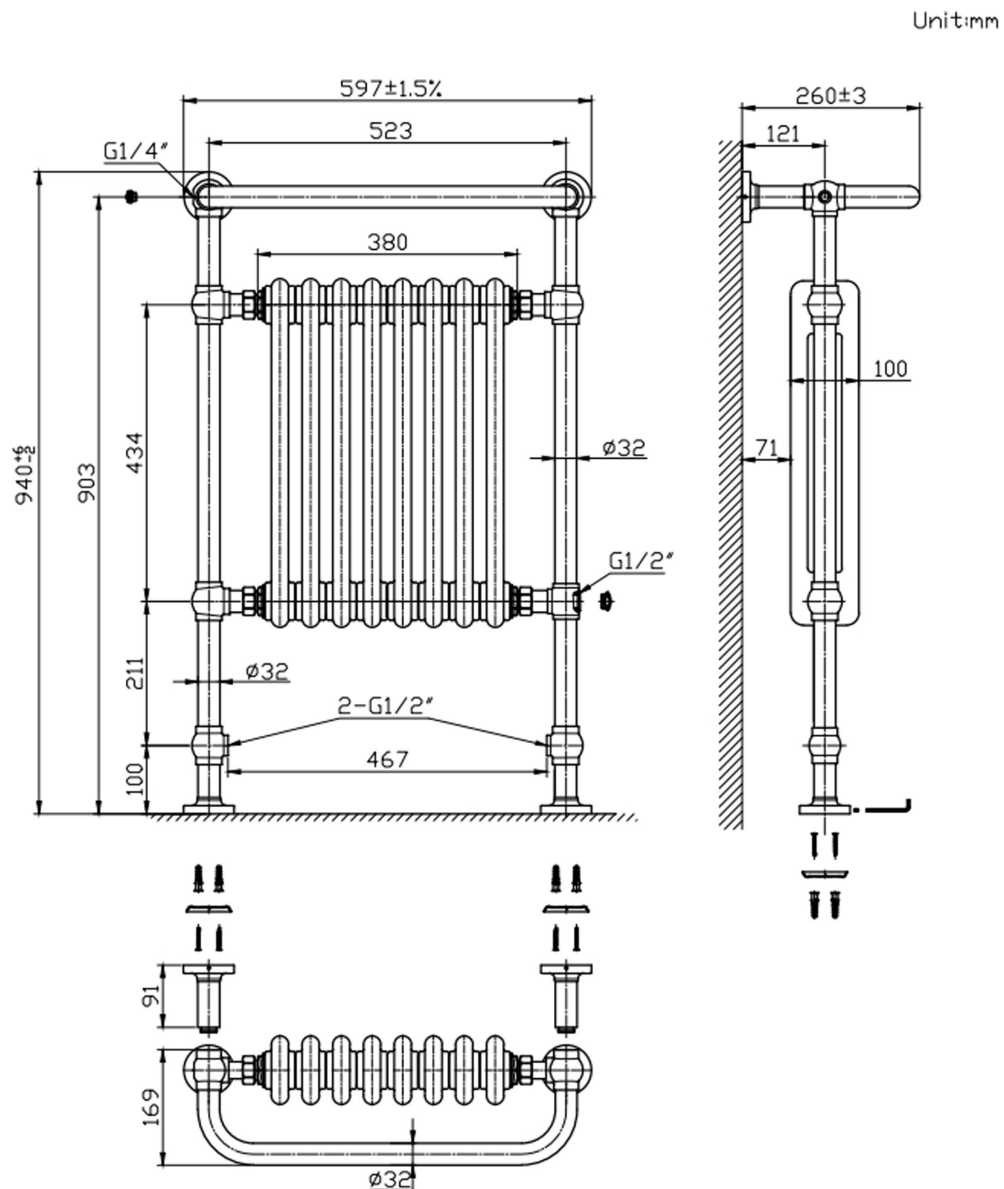
Product:	41.1023
Description:	Isbourne 940 x 600
Website Link:	<a href="#">(Click Here)</a>
Product Type:	Towel Rail
Brand:	Eastbrook Company
Colour:	Chrome/Matt Black
Material:	Mild Steel
Height (mm):	940mm
Width (mm):	600mm
Net Weight (kg):	16.7kg
Product Range:	Isbourne

### Product Specifications

Warranty:	5 Year(s)
Supplied with fixings:	Yes
Orientation:	Floor Standing
BTU $\Delta T50^{\circ}\text{C}$ :	2383
BTU $\Delta T60^{\circ}\text{C}$ :	3050
Watts $\Delta T50^{\circ}\text{C}$ :	699
Watts $\Delta T60^{\circ}\text{C}$ :	894

## Drawing

### Isbourne 940 x 600mm. Technical Drawing



Tappings : 467mm.  
Tappings from wall : 121mm.  
Distance from wall : 260mm.

**This product should be fitted by a fully qualified installer.**

**Eastbrook **  
Eastbrook Road, Gloucester GL4 3DB  
Technical Helpline : 01452 317890  
Mon - Fri / 8am - 5pm  
Email : [technical@eastbrookco.com](mailto:technical@eastbrookco.com)