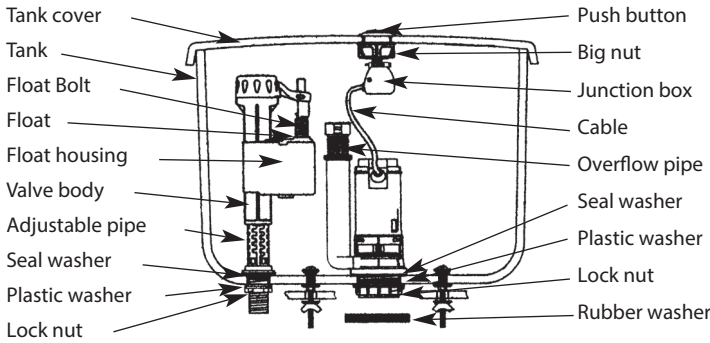


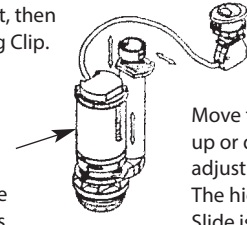
Fill Valve and Dual Flush Valve Installation Instructions

IMPORTANT:

Do not use plumber's putty to seal the fittings. Do not use chlorine (bleach) cleaners or related products. All parts are loose fitted and will require tightening and checking prior to use. Please check for leaks 48 hours after fitting. Must be fitted by qualified installer.



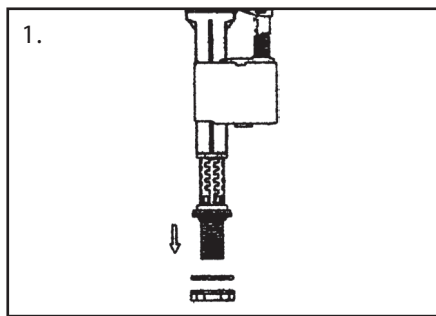
Unlock the Fixing Clip to adjust the Overflow Pipe to desired height, then lock the Fixing Clip.



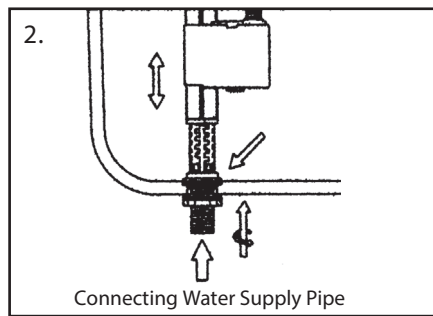
Full flush adjustment. The bigger the hole is the less water flush.

Move the Slide up or down to adjust half flush. The higher the Slide is, the less water flush.

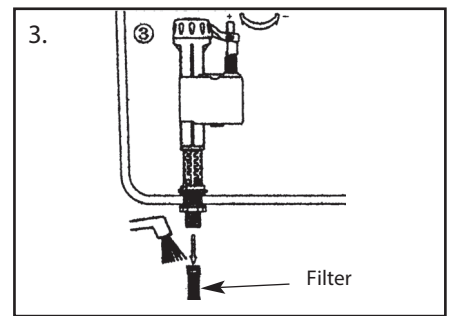
A207 Fill Valve:



1. Disassemble the Lock Nut for valve installation.

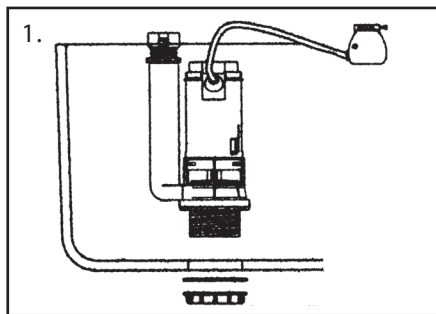


2. Position VALVE inside tank. Push down on the Valve Shank (not the top) while tightening Lock Nut. Screw the Valve Shank clockwise and pull the Valve Body to the correct height.

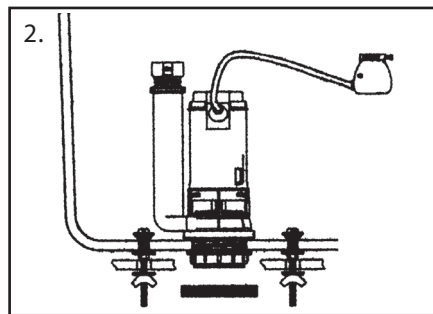


3. Adjusting the water level by screwing Float Bolt and move the Float Housing up or down along the Valve Body to join with the Float. The Float Housing should be attached to the Float and the Arm isn't raised. Take out the Filter and clean it often.

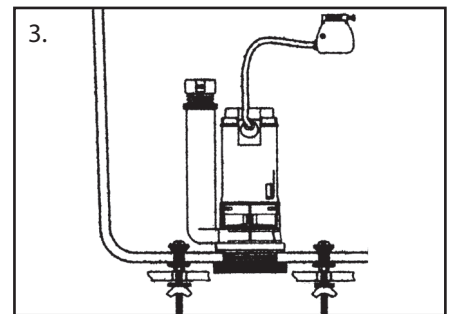
B228 Dual Flush Valve:



1. Disassemble Lock Nut, Plastic Washer for VALVE installation. Position the VALVE inside tank. Push down on the Valve Body while attaching Plastic Washer and tightening Lock Nut.

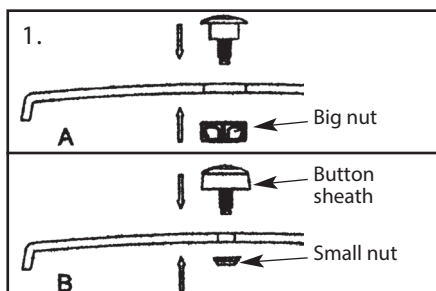


2. Nest the Tank To Bowl Washer in the Lock Nut and position the TANK on the Toilet Bowl properly. Disassemble the Tank To Bowl Bolts. Fix the Tank to Toilet Bowl with the Tank To Bowl Bolts tightly.

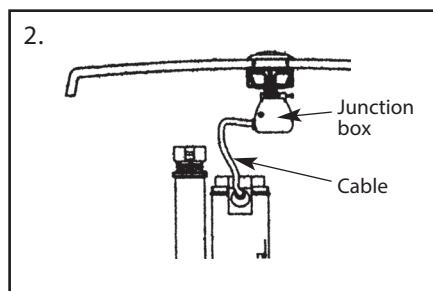


3. Unlock the Fixing Clip to adjust the Overflow Pipe to desired height, then lock the Fixing Clip.

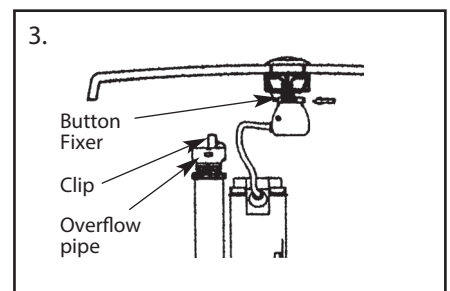
C216 Push Button:



1. Turn the Nut and loosen it. Install the Button on the Tank Lid and fix the Nut properly. Installation A for Ø4cm hole in the Tank Lid. Installation B for Ø2-Ø3cm hole in the Tank Lid.



2. Make the Cable smooth, install the Button on the Junction Box and then close the Tank Lid. Fill the Tank with water and push the Full&Half Button to check whether the flushing is normal or not.



3. Fix Clip on the Overflow Pipe.