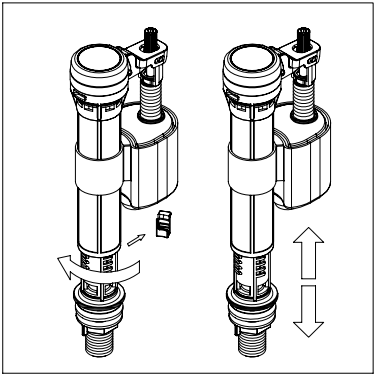


Installation instruction

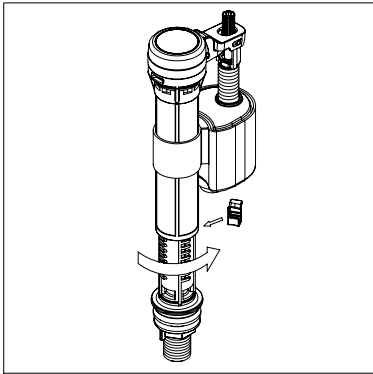
NOTE: 1. KEEP INSTRUCTION SHEET FOR FUTURE REFERENCE.
 2. THE WASHER AND FILTER ARE JUST FOR 1/2" BOTTOM FEED.

WARNING: We shall not be responsible or liable for any failure of, or damage to, this plumbing product caused by use of chlorine (bleach) cleaners or related products added to the tank water. Use of such products will void the warranty and may result in product failure, possibly causing property damage. Do not overtighten plastic nuts.

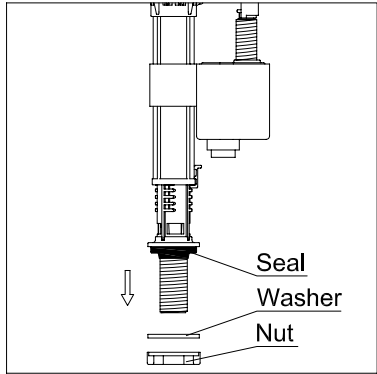
Instruction for Fill Valve



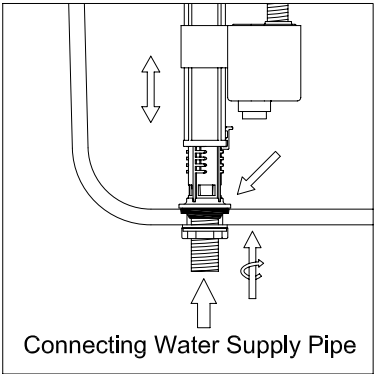
1. Uninstall the plug, turning the valve in anticlockwise. Adjust the height of valve by pushing the valve up and down.



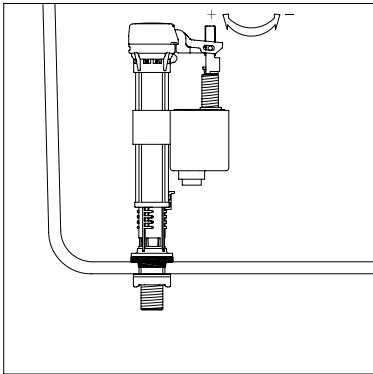
2. Turn the valve in clockwise and install the plug.



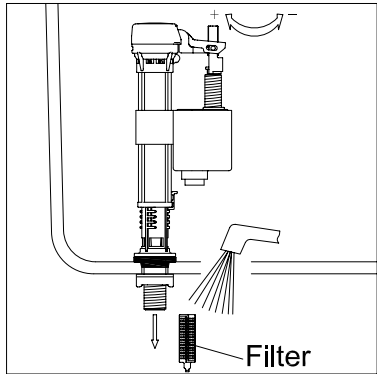
3. Uninstall the washer and nut as per picture.



4. Position the fill valve in the water tank, screw the washer and nut. Please take a note that the valve should not touch with anything.

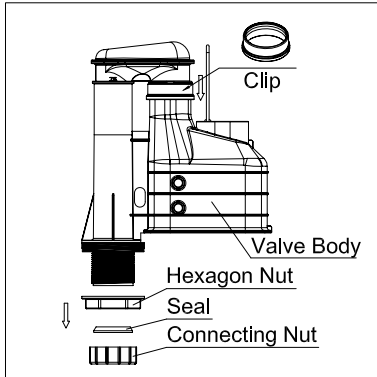


5. Adjust the water level by screwing the adjustment bolt, the water level should be under the overflow level not less than 2cm.

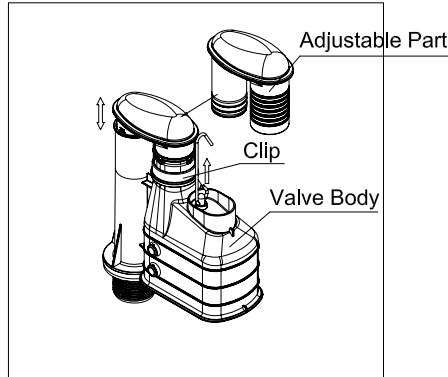


6. Clean the filter frequently.

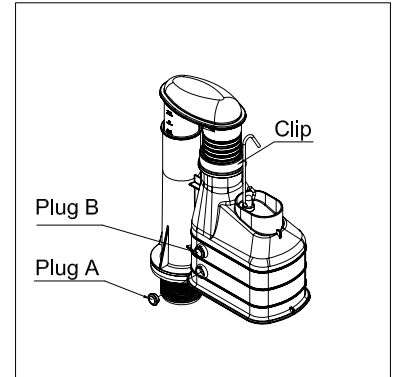
Installation Instruction of syphon Flush Valve



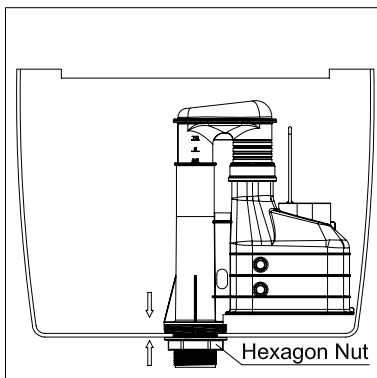
Unscrew the connecting nut, seal, hexagon nut.
Push down the clip.



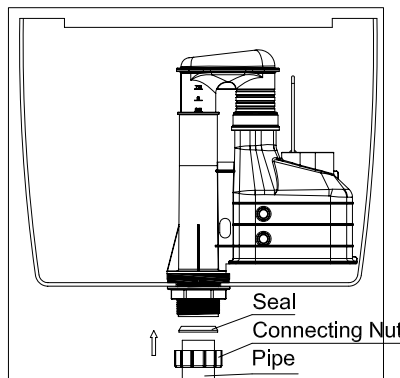
Adjust the height you need and fasten the clip.



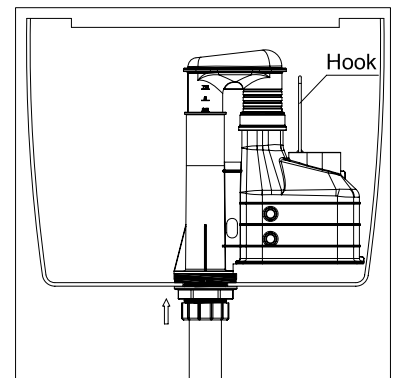
There are two plug in the side of valve body. Pull out plug A to reduce the tonnage, pull out A and B is the minimum tonnage.



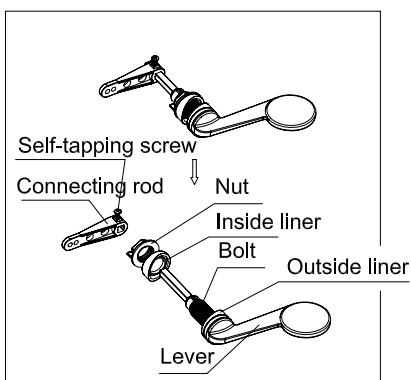
Adjust the syphon valve and put it into the flush hole and screw the hexagon nut.



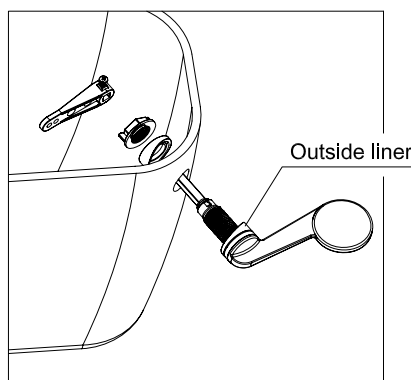
Connect the pipe to the syphon valve by connecting nut.



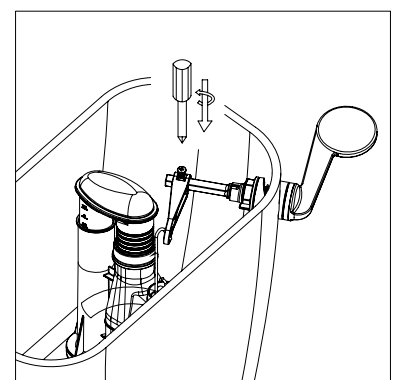
Put the hook into the hole of handle.



Take off the rod, nut and inside liner.



Plug the lever in the switch hole from cistern outside; Fix inside liner, and screw nut tightly; As picture, install the lever rod.



As picture, make lever in horizontal position; Adjust rod to right place, and fix by self-tapping bolt; Hang the hook in the hole of rod.