



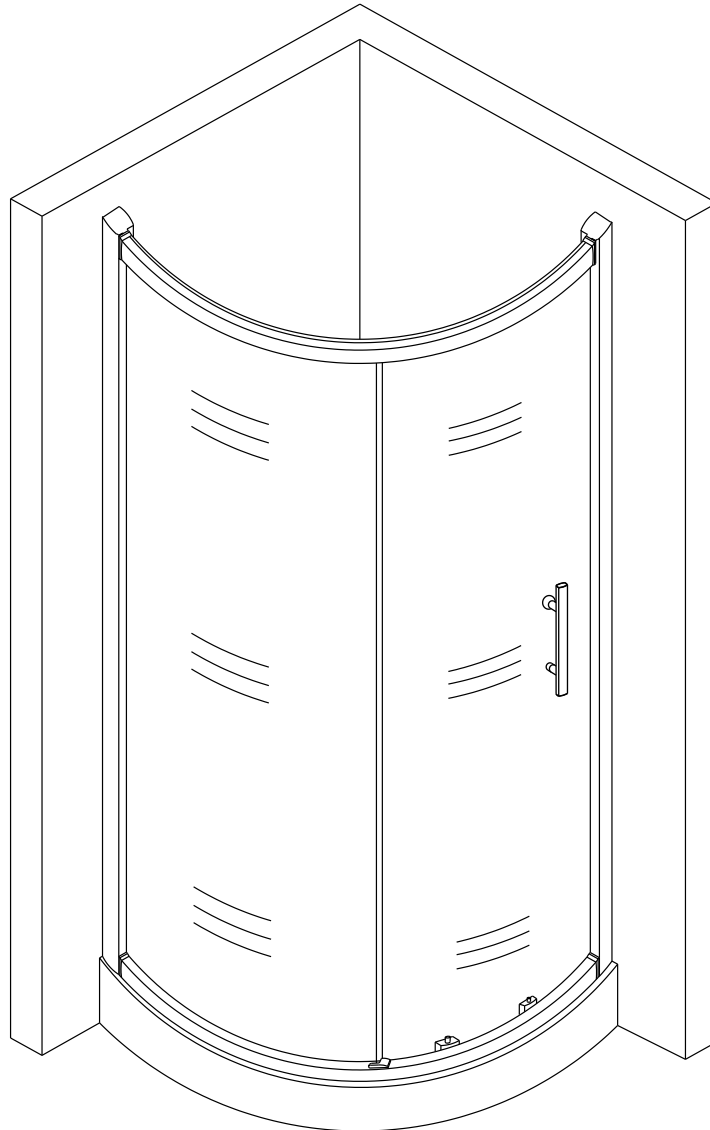
Eastbrook

INSTALLATION MANUAL

VOLENTE SINGLE DOOR QUAD

Eastbrook Code	Adjustment
58.007	762-782
58.008	862-882
58.009	962-982

This product should only be fitted by a fully qualified installer.

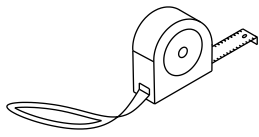


The product should be unpacked and checked for quality prior to install.

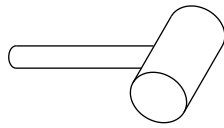
Any missing parts or damage must be reported to your supplier within 10 days of purchase and before installation

No claims can be enforced outside of these terms.

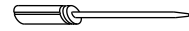
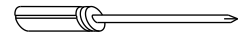
TOOLS REQUIRED



TAPE MEASURE



RUBBER HAMMER



FLAT AND CROSS
HEAD SCREWDRIVERS



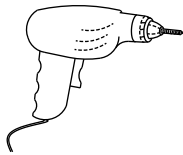
SPIRIT LEVEL



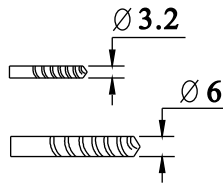
SILICONE & GUN



PENCIL



ELECTRIC DRILL


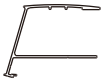

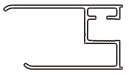



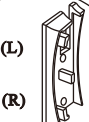

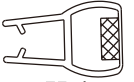



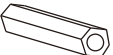
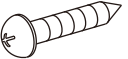

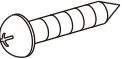

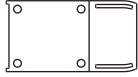



DRILL BIT

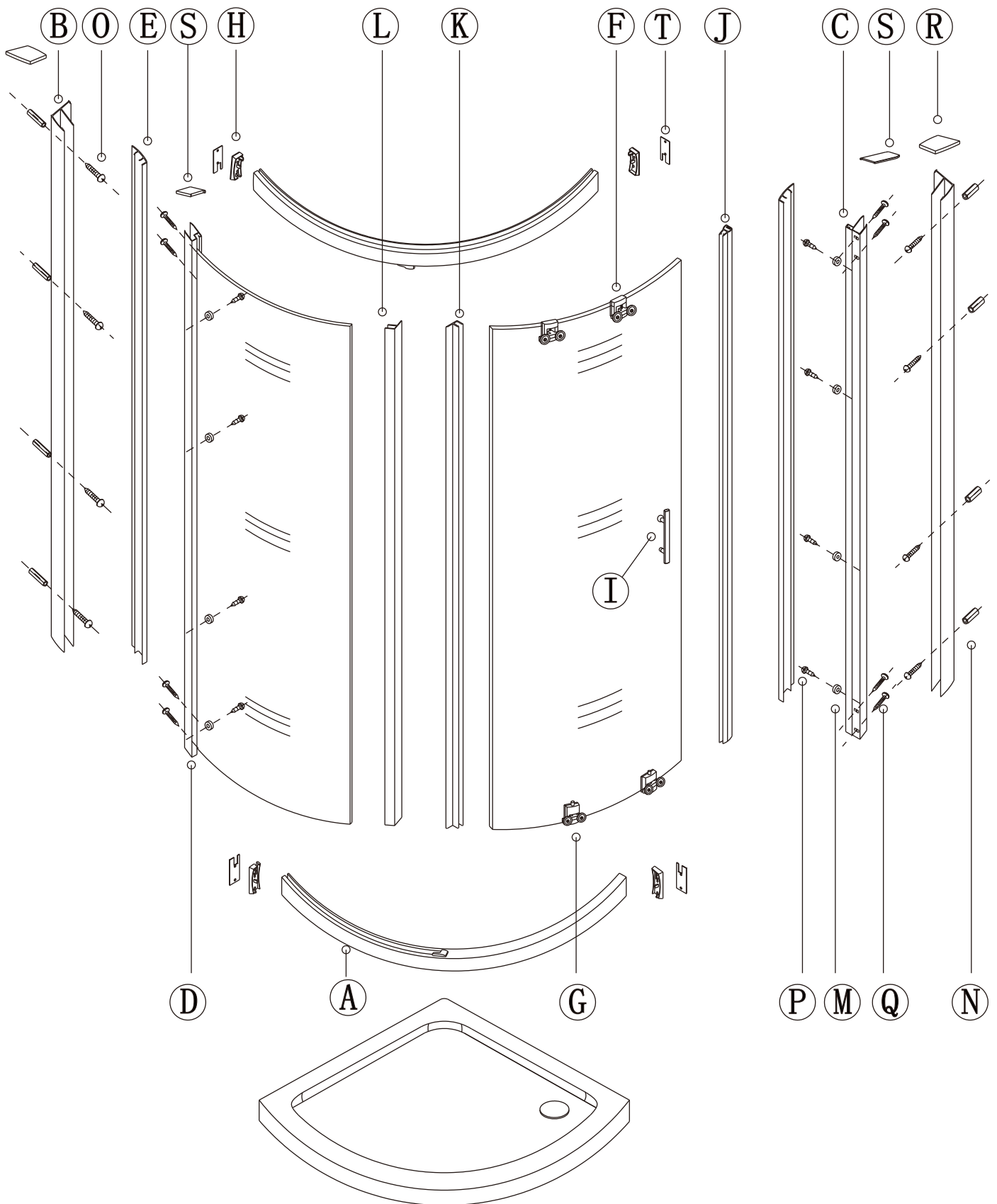


SPANNER

PACKING LIST

- | | | | | |
|--|---|---|---|--|
| <p>A  X2</p> | <p>B  X2</p> | <p>C  X1</p> | <p>D  X1</p> | <p>E  X2</p> |
| <p>F  X2</p> | <p>G  X2</p> | <p>H  X4</p> | <p>I  X1</p> | <p>J  X1</p> |
| <p>K  X1
Long</p> | <p>L  X1
Short</p> | <p>M  X8</p> | <p>N  X8</p> | <p>O  X12</p> |
| <p>P  X8</p> | <p>Q  X4</p> | <p>R  X2</p> | <p>S  X2</p> | <p>T  X4</p> |

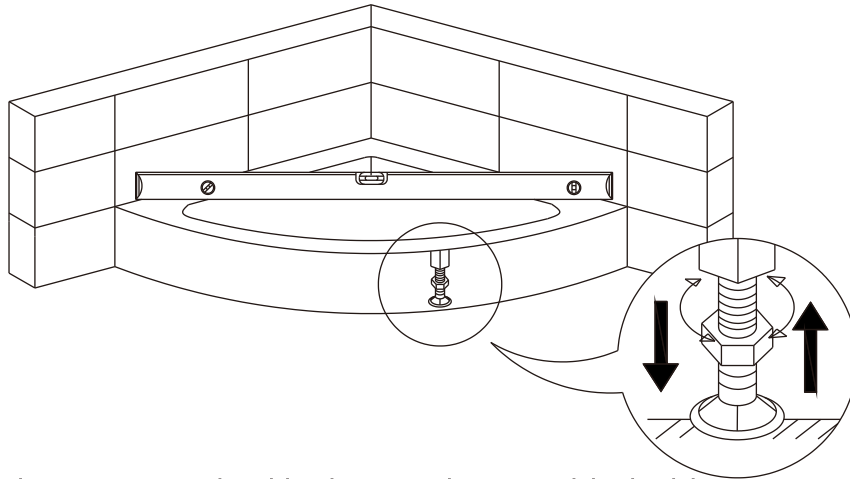
PRODUCT SCHEMATIC DIAGRAM



Please make the following checks before commencing installation :

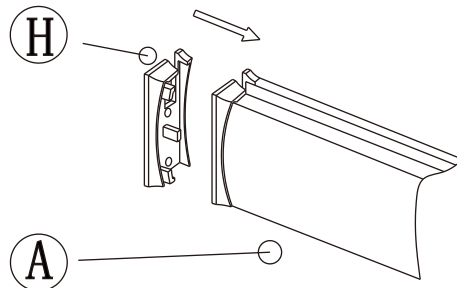
- The product supplied is the required size and adjustment is compatible with the site situation
- Check all component parts are present; see packing list and product schematic diagram for reference.
- Make sure you have all the tools required.

1



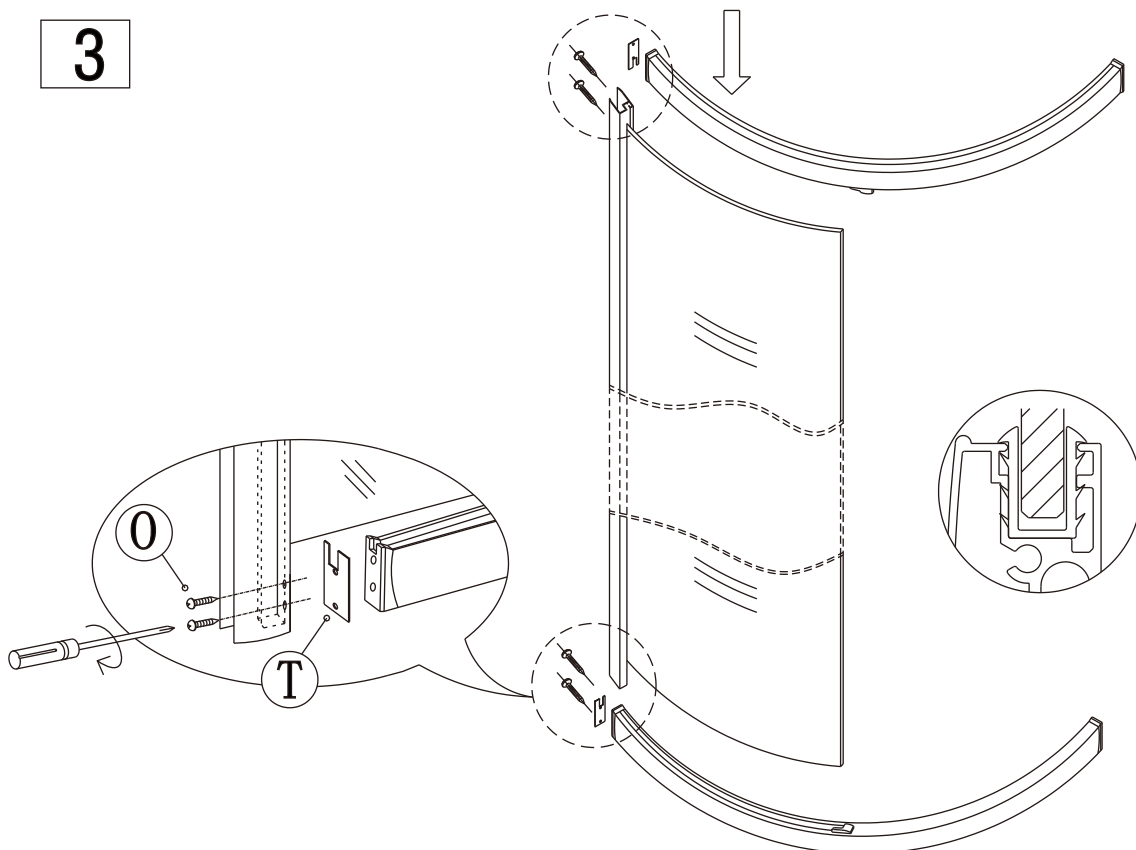
Install bow fronted tray as required by instruction provided with tray.

2



Connect part (H) to the ends of profiles (A).

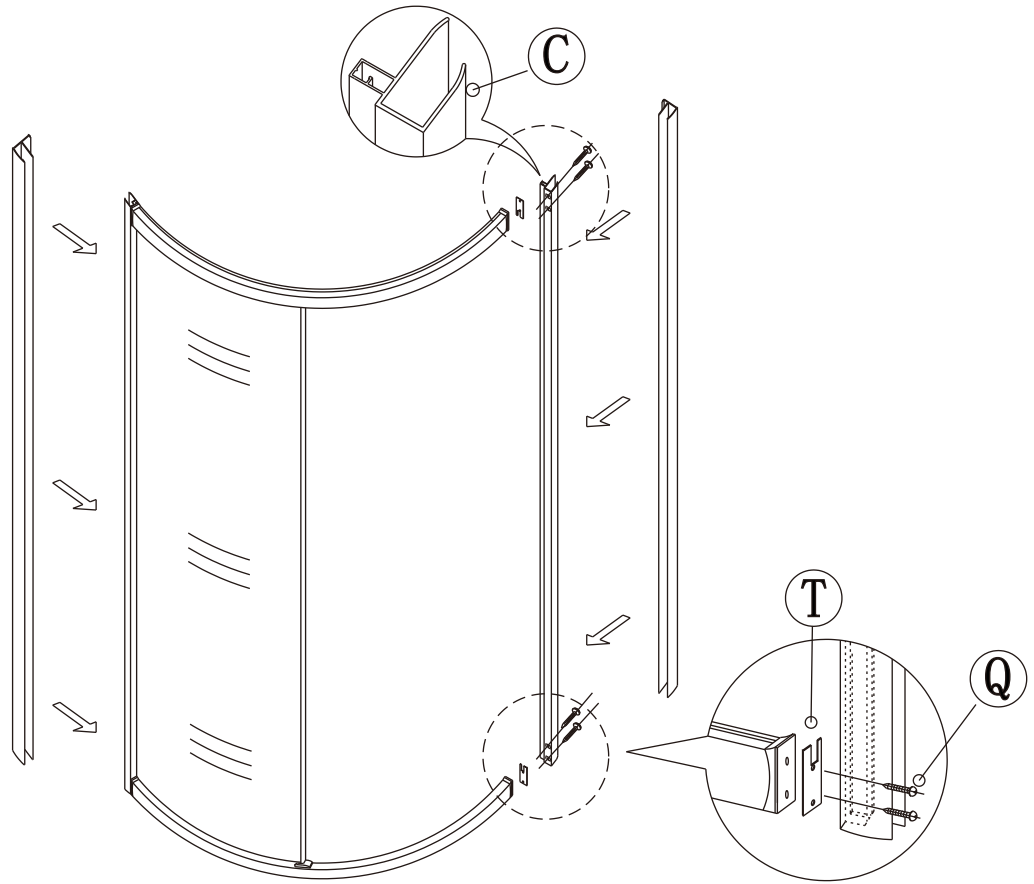
3



Secure fixed glass panel to top & bottom profile (A) with ST4*30 (O) screws.
Ensure that gasket (T) is in place.

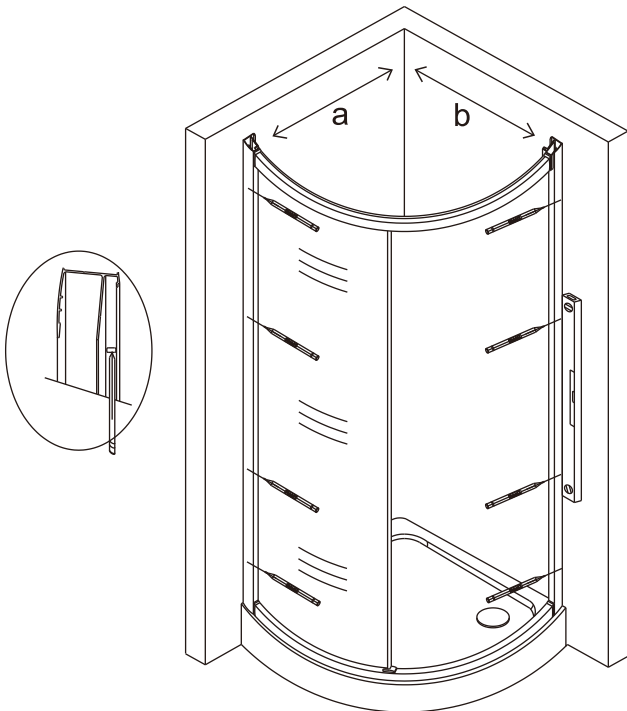
(1)

4



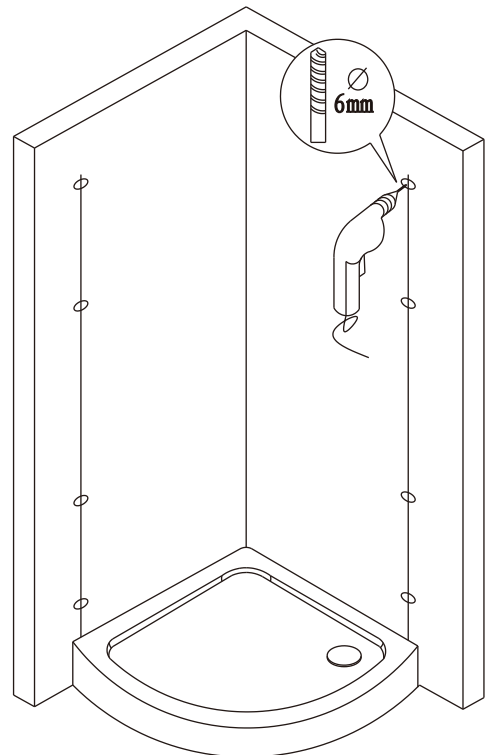
Secure magnetic profile (C) to top & bottom profiles (A) with ST4*20 (Q) screws. Ensure gaskets (T) are in place.

5



Place wall profile (B) onto quad and lift onto tray, level, check (a) & (b) measurements are the same and mark wall profile fixing holes.

6



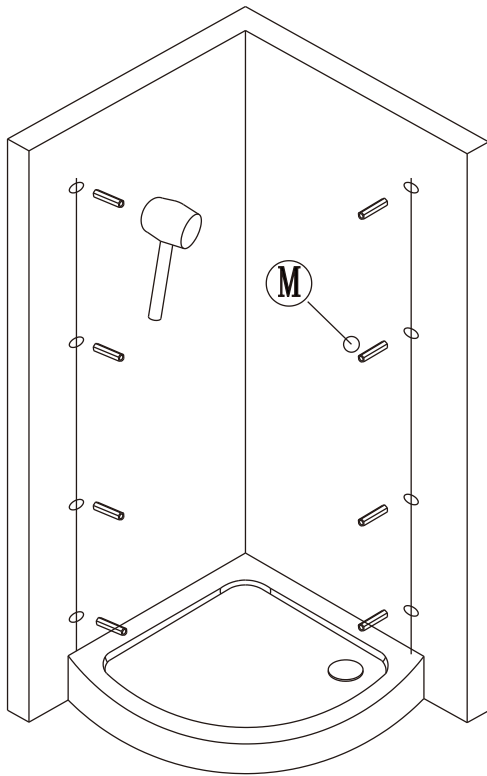
Drill fixing holes in wall with 6mm Ø bit.

(2)

Fit wall plugs (N) into holes.

7

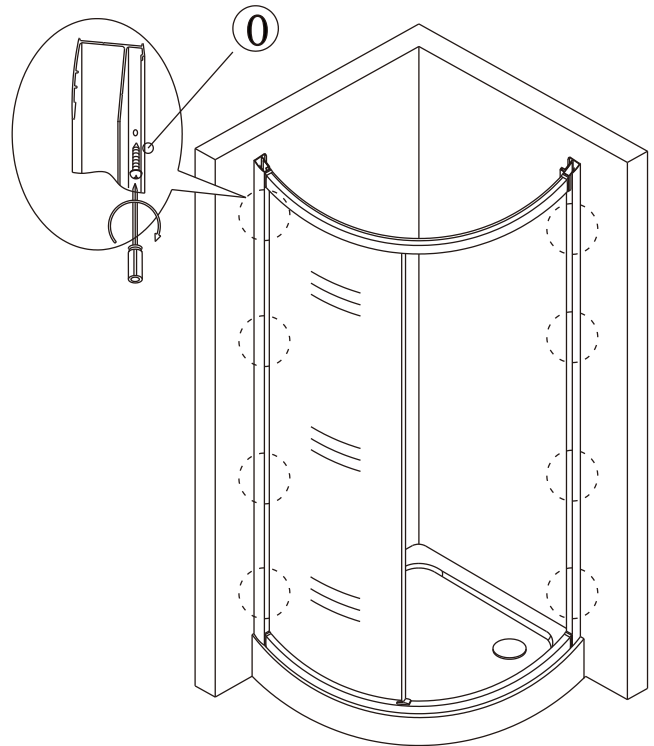
Substitute for suitable rollow wall fixings if installing onto a stud wall.



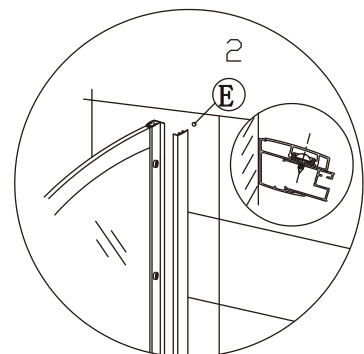
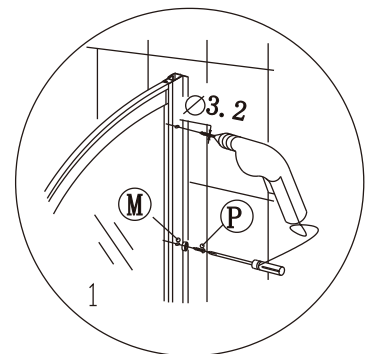
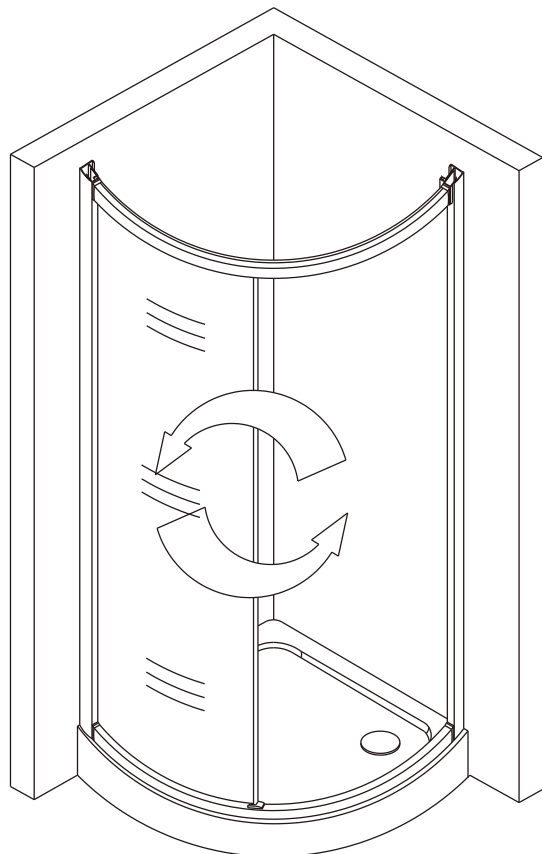
With wall profiles (B) pushed onto ends,

8

lift quad into position and secure profiles to wall with ST4*30 (O) screws.



9

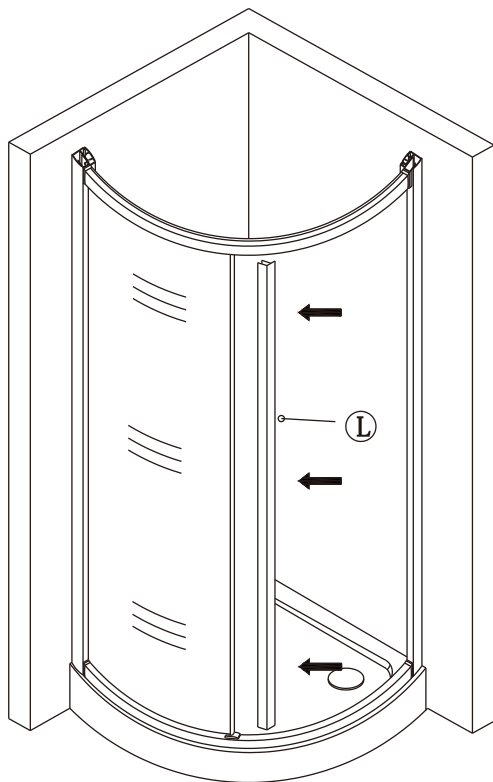


Adjust as required and drill quad frame with 3.2mm \varnothing bit and secure with ST4*12 (P) screws and washer (M). Clip screw cover profiles.

(3)

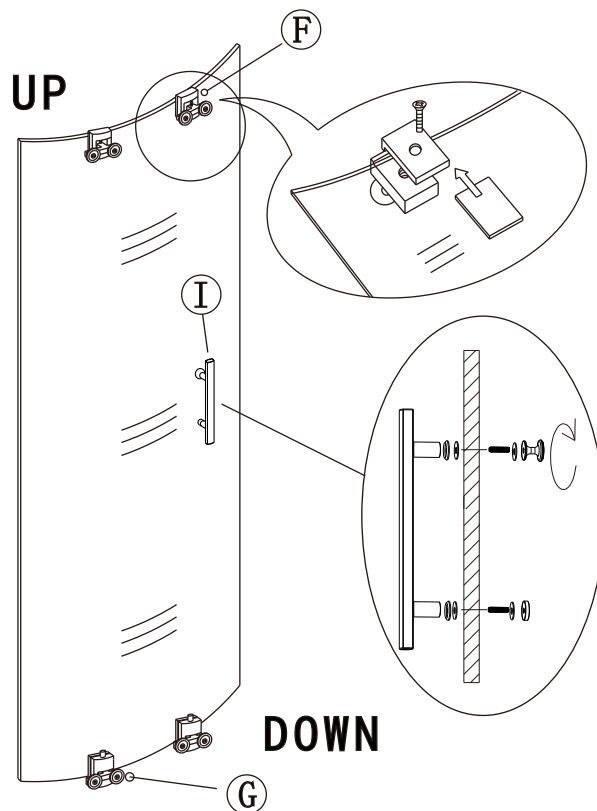
10

Fit anti-water strip (I) onto end of fixed glass panel.



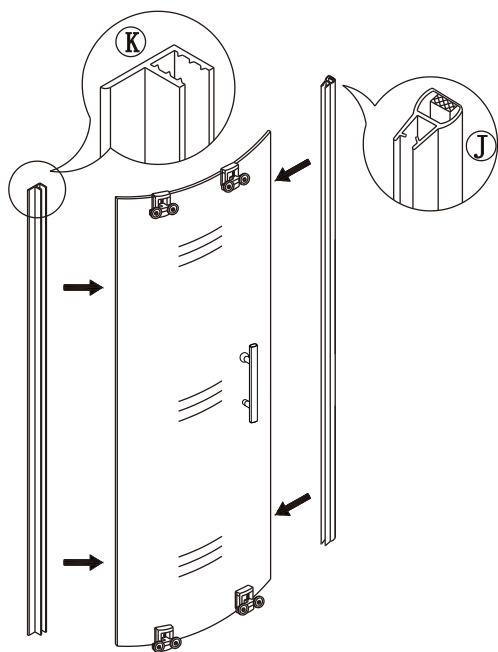
11

Fix roller (F) on top of door and spring loaded roller (G) to bottom. Fix handle glass onto door.



12

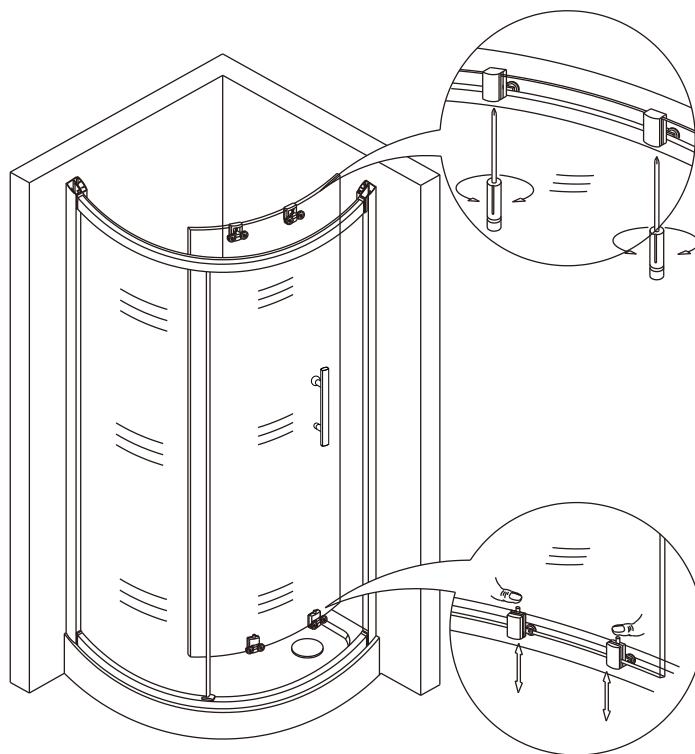
Fix magnetic strip (J) and anti-water strip (K) to edges of glass.



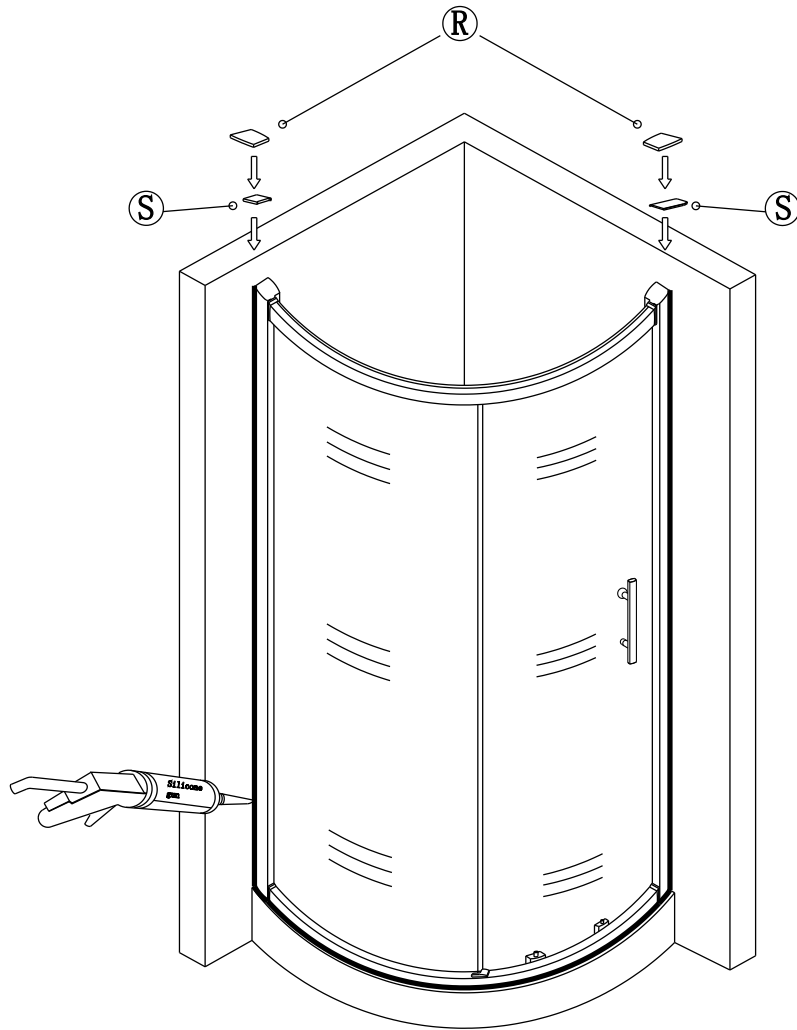
13

Lift top rollers onto top rail of quad frame.
Push down on bottom rollers and click into bottom rail of frame.
Adjust top roller if required.

(4)



14



Clip wall profile top cover caps (R) & (S) into place.
Please ensure silicone sealant is on the outside only as shown.

Eastbrook

Eastbrook Road, Gloucester GL4 3DB
Technical Helpline: 01452 317890
email: technical@eastbrookco.com

Cleaning and Maintenance of Shower Enclosures

Do not clean the shower enclosure with irritant detergents such as alcohol, bleach or other chemical cleaners.

Only clean with mild soapy water or a proprietary cleaner where the label advises it is suitable for the materials the enclosure is constructed from, test on a small area first.

For treating limescale we would recommend distilled vinegar in a half and half solution with water.

Following installation should you find that there is a notable noise when the glass door moves you may add a small amount of silicone lubricant onto the roller wheels and tracks, hinges or clips.

It is the responsibility of the product owner to maintain the product as recommended above. Also to check for parts which have broken or become loose to protect against failure of the enclosure.