

DATASHEET

Image



General Information

| | |
|------------------|--------------------------------------|
| Product: | 12.076 |
| Description: | 15mm Angled TRV and Lockshield Valve |
| Brand: | Eastbrook Company |
| Colour: | Black Gold |
| Material: | Brass + Plastic |
| Net Weight (kg): | 0.45kg |
| Product Range: | Radiator Valves |

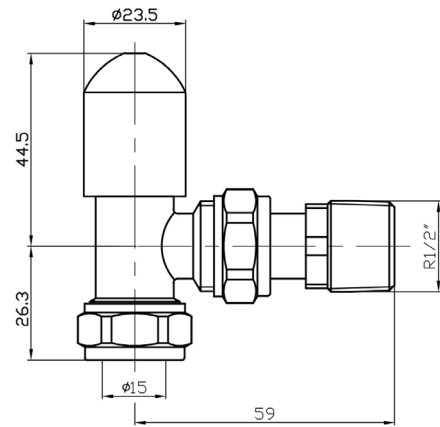
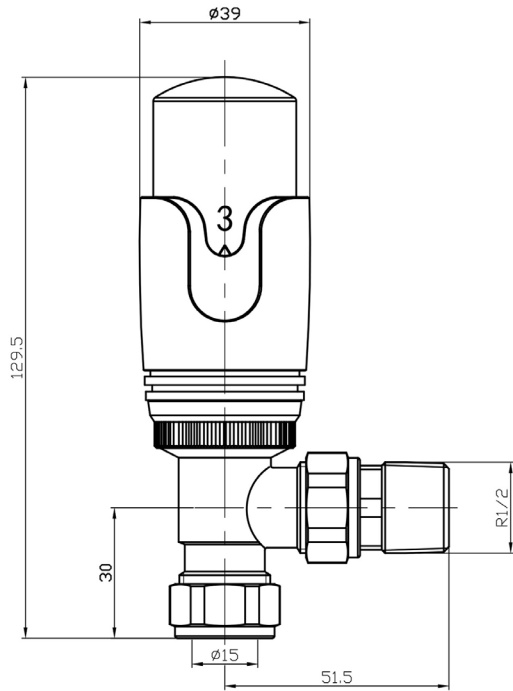
Product Specifications

| | |
|--------------|-----------|
| Warranty: | 2 Year(s) |
| Valve Types: | Angled |

Drawing

Eastbrook

Angled Thermostatic Radiator Valve & Lockshield
Technical Drawing



12.047
12.041
12.031
41.3036
41.3023
41.3027
41.3029
41.3024
41.3025
12.076
12.079
12.085

Eastbrook 
Eastbrook Road, Gloucester GL4 3DB
Technical Helpline : 01452 317890
Mon - Fri / 8am - 5pm
Email : technical@eastbrookco.com