

## DATASHEET

### Image



### General Information

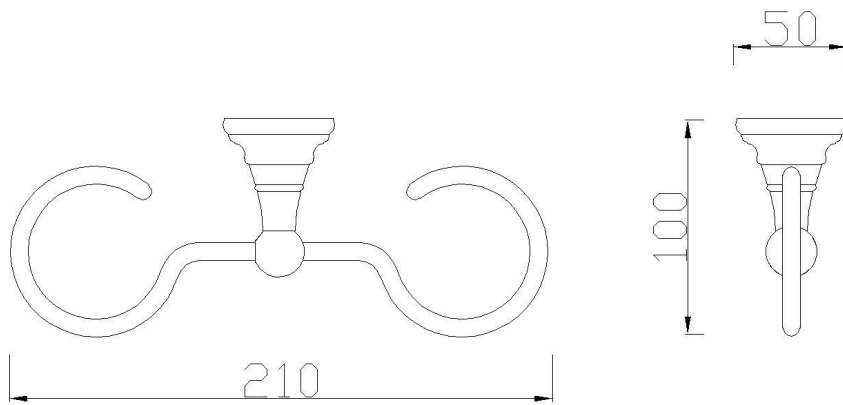
Product:	52.042
Description:	Rockingham Double Tumbler Holder
Website Link:	<a href="#">(Click Here)</a>
Product Type:	Tumbler Holder
Brand:	Eastbrook Company
Colour:	Chrome
Material:	Solid Brass
Height (mm):	50mm
Width (mm):	135mm
Net Weight (kg):	0.805kg
Product Range:	Rockingham

### Product Specifications

Warranty:	5 Year(s)
Finish:	Polished
Supplied with fixings:	Yes
Mounting:	Wall

## Drawing

---



Eastbrook Road, Gloucester GL4 3DB  
Technical Helpline: 01452 317890  
email: [technical@eastbrookco.com](mailto:technical@eastbrookco.com)