

DATASHEET

Image



General Information

Product:	12.035
Description:	15mm Corner TRV & lockshield valve
Website Link:	(Click Here)
Product Type:	Radiator Valve
Brand:	Eastbrook Company
Colour:	Satin Nickel/Gloss White
Material:	Brass + Plastic
Net Weight (kg):	0.653kg
Product Range:	Radiator Valves

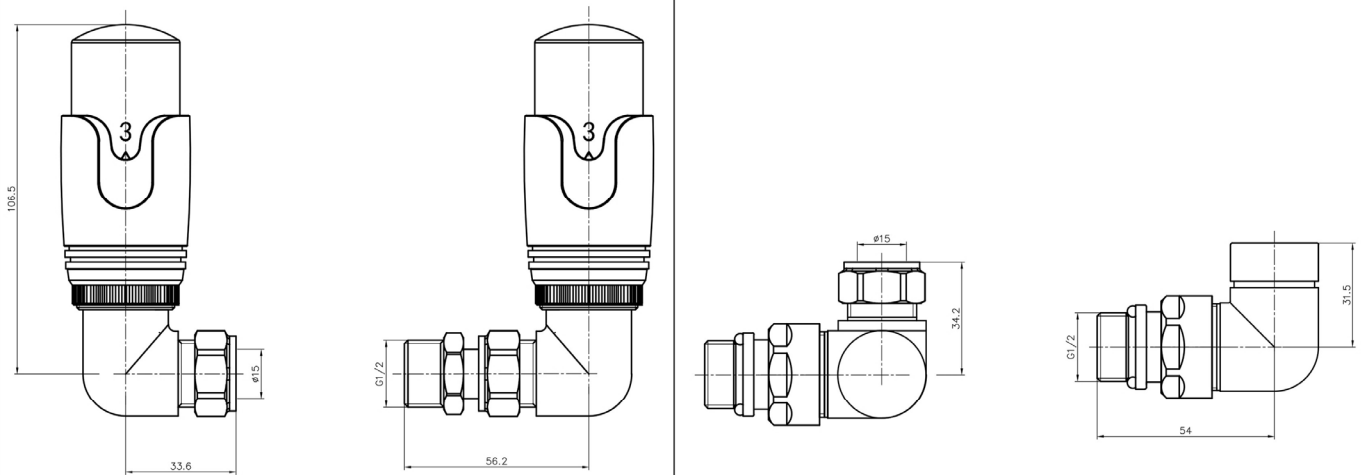
Product Specifications

Warranty:	2 Year(s)
Valve Types:	Corner

Drawing

Corner TRV with Lockshield 15mm Technical Drawing

12.045 / 12.047 / 12.049 / 12.053
12.054 / 12.055 / 12.056 / 12.057



Eastbrook 
Eastbrook Road, Gloucester GL4 3DB
Technical Helpline : 01452 317890
Mon - Fri / 8am - 5pm
Email : technical@eastbrookco.com