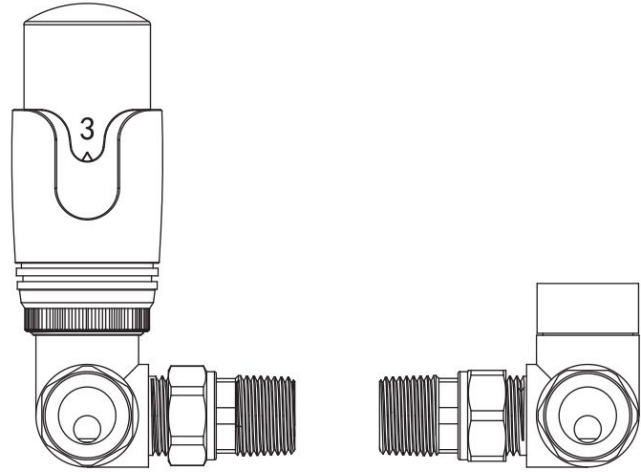


Straight / Angled / Corner Thermostatic Radiator Valve INSTRUCTIONS



Thermostatic valves are typically used for regulating the fluid flow to the radiators of central heating systems. They are provided with a regulating element which automatically controls the opening of the valve to keep the ambient temperature of the room where they are installed constant at the set value.

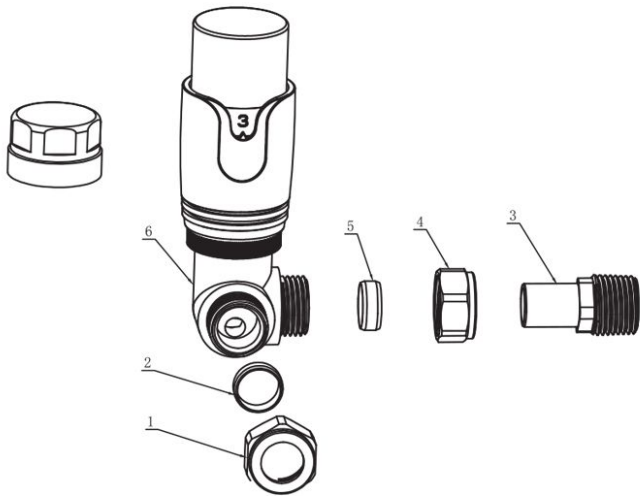
The number on the valve corresponds to a specific air temperature. Once you have selected a number, the thermostatic valve will maintain this temperature in the room. This prevents unwanted temperature rises and achieves considerable energy savings. The specification is up to the requirement of EN 215 standard.

Technical Specification:

- Thermostatic head and reversible bi-directional body.
- Built-in sensor with liquid-filled element.
- Graduated scale from 0 to 5 corresponding to temperature setting ranges from 7°C - 28°C with frost protection setting as well (As per Figure below)
- Fully tested to 10 bar
- Max pressure difference: 0.8 Bar
- Max flow temperature 120°C
- Can be mounted horizontally or vertically

6°C	11-14°C	15-17°C	18-21°C	22-25°C	26-29°C
*	1	2	3	4	5

NOTE: This product should only be fitted by a fully qualified installer.

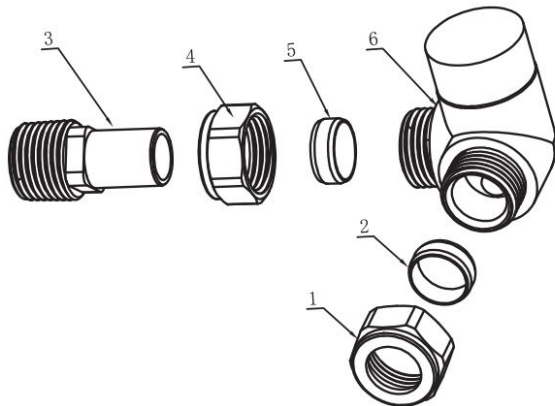


1. Nut
2. Olive
3. Tail
4. Nut
5. Olive
6. Body



Wrap PTFE tape clockwise around the tail thread

- (1).Screw the threaded connectors (3) to the radiator tightly.
- (2).Prepare the hexagon lock nut, Olive , water pipe. Overlap the Olive through the water pipe.
- (3).Assemble the lock nut and screw tightly.
- (4).Take out the cap, and assemble the thermostatic head to the valve body.
- (5).Both bottom and right connections are available. A pair of 15mm connectors are supplied.



- 1.Nut
- 2.Olive
- 3.Tail
- 4.Nut
- 5.Olive
- 6.Lockshield Body

- (1).Screw the threaded connectors (3) to the radiator tightly.
- (2).Prepare the hexagon lock nut, Olive , water pipe. Overlap the Olive through the water pipe.
- (3).Assemble the lock nut and screw tightly.
- (4).Both bottom and right connections are available. A pair of 15mm connectors are supplied.

Daily Care Instructions

1. The surface of the valve is cleaned with warm soapy water. Strong acid and alkaline cleaning agents are not suitable for the cleaning of the surface.
2. Limescale, rust, etc. on the valves. Simply wipe the surface with a damp cloth or sponge dipped in a little distilled vinegar solution, then dry with a clean rag or rinse well water.