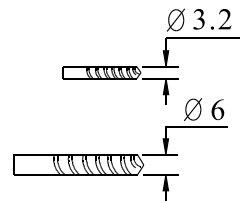
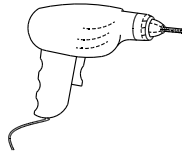
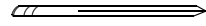
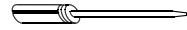
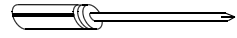
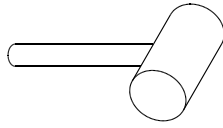
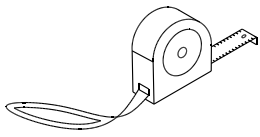


INSTALLATION MANUAL

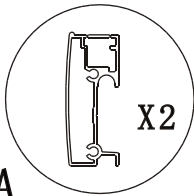
Eastbrook Code	Adjustment	Eastbrook Code	Adjustment
58.210	1160-1200	58.213	1560-1600
58.211	1360-1400	58.214	1660-1700
58.212	1460-1500	58.215	1760-1800



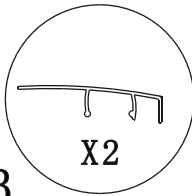
TOOLS REQUIRE



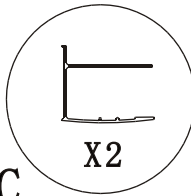
LIST OF SPARE PARTS



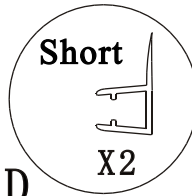
A



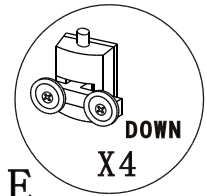
B



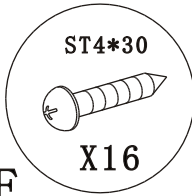
C



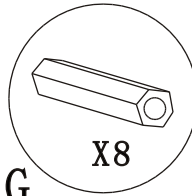
D



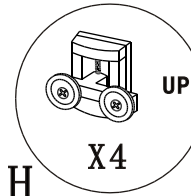
E



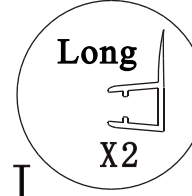
F



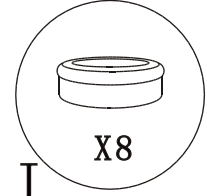
G



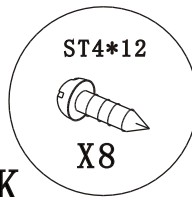
H



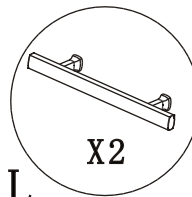
I



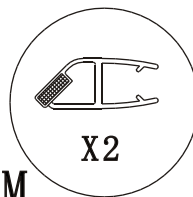
J



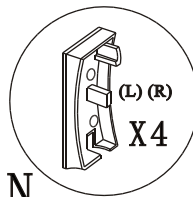
K



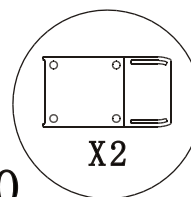
L



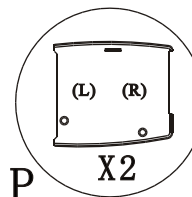
M



N

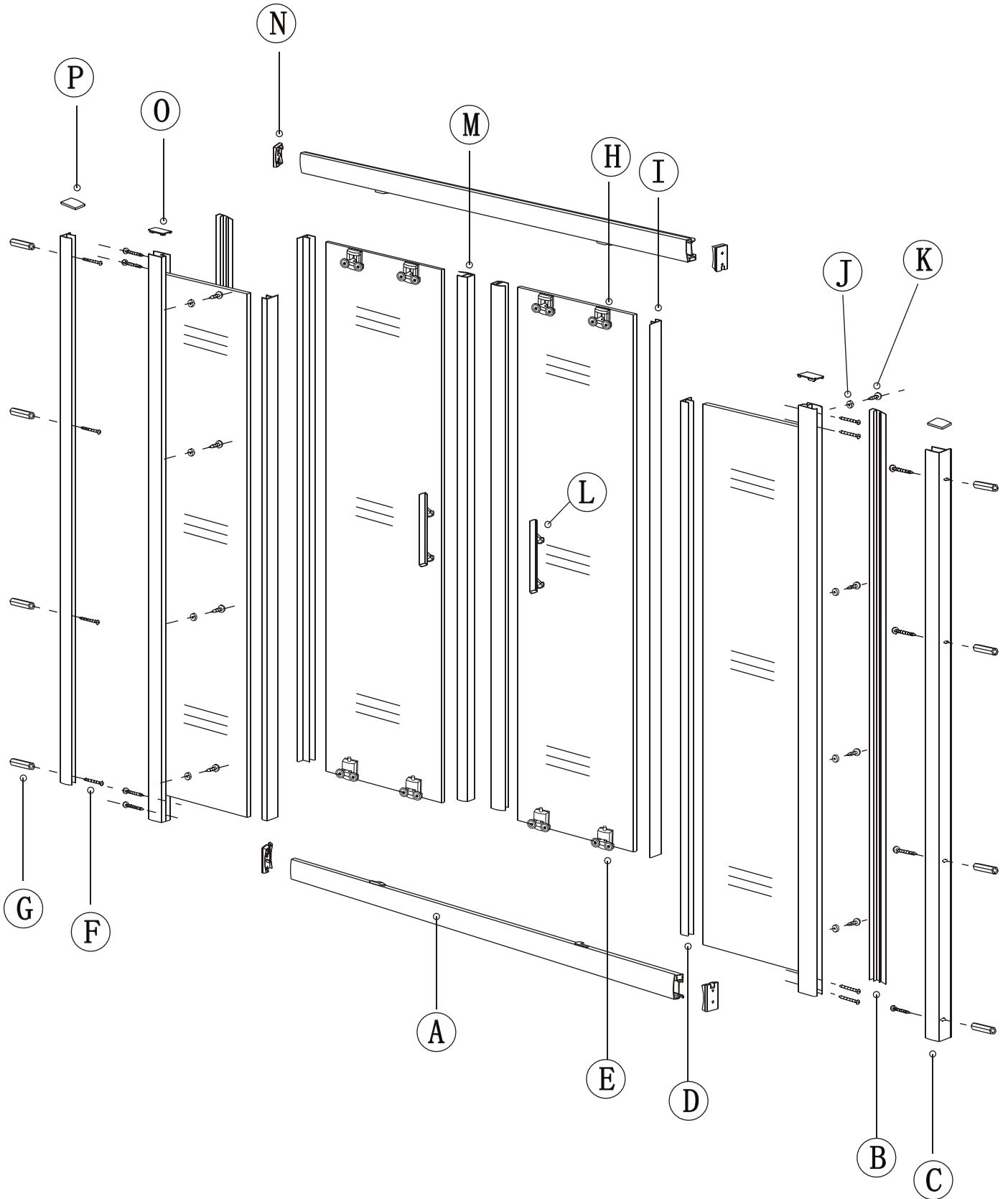


O

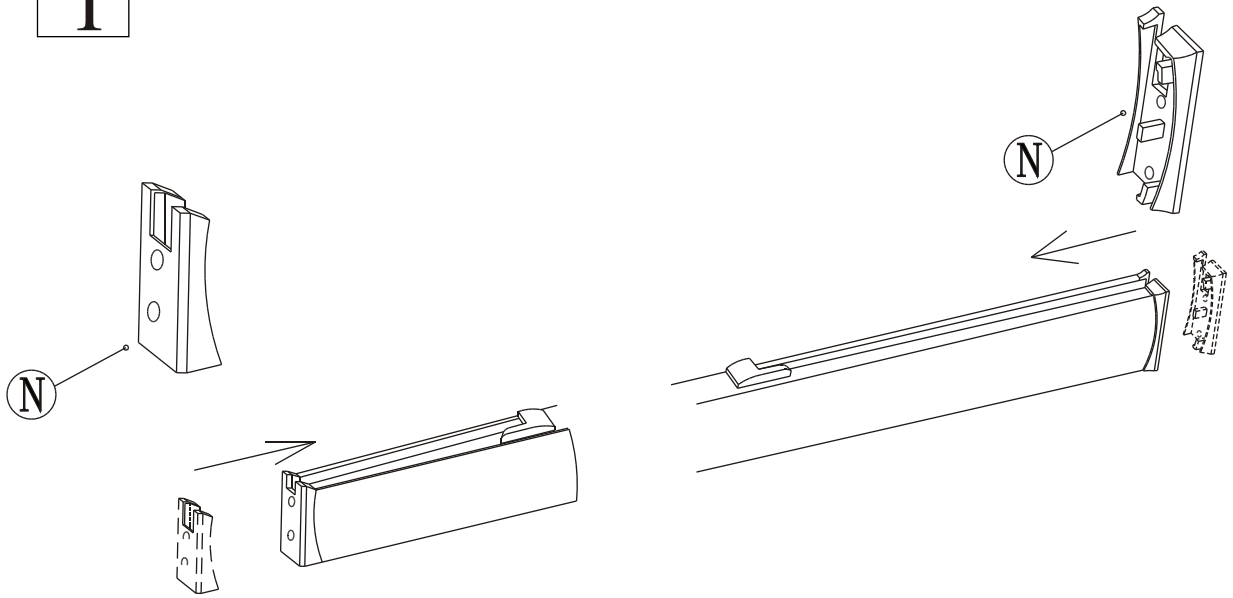


P

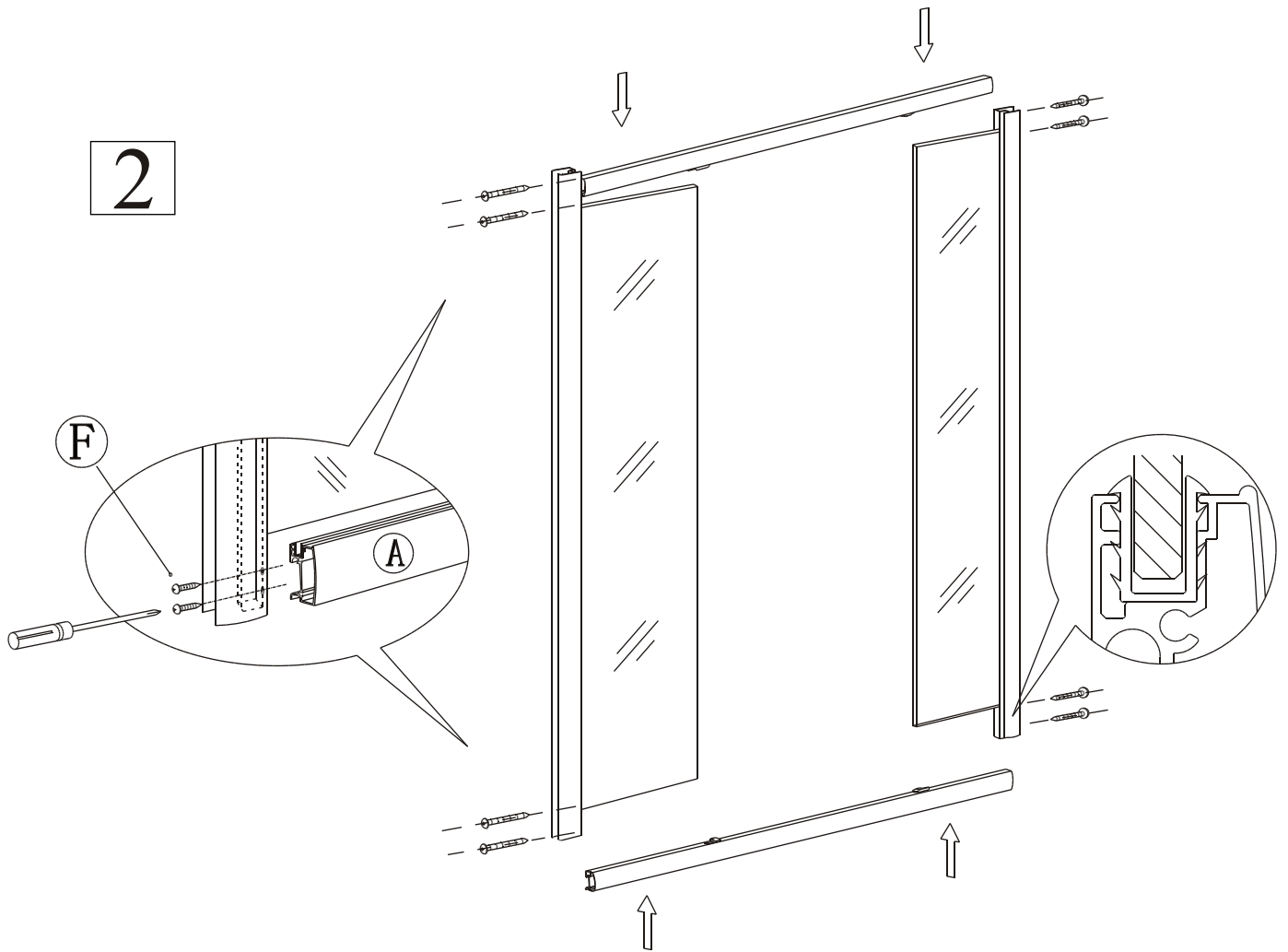
PRODUCT SCHEMATIC DIAGRAM



1

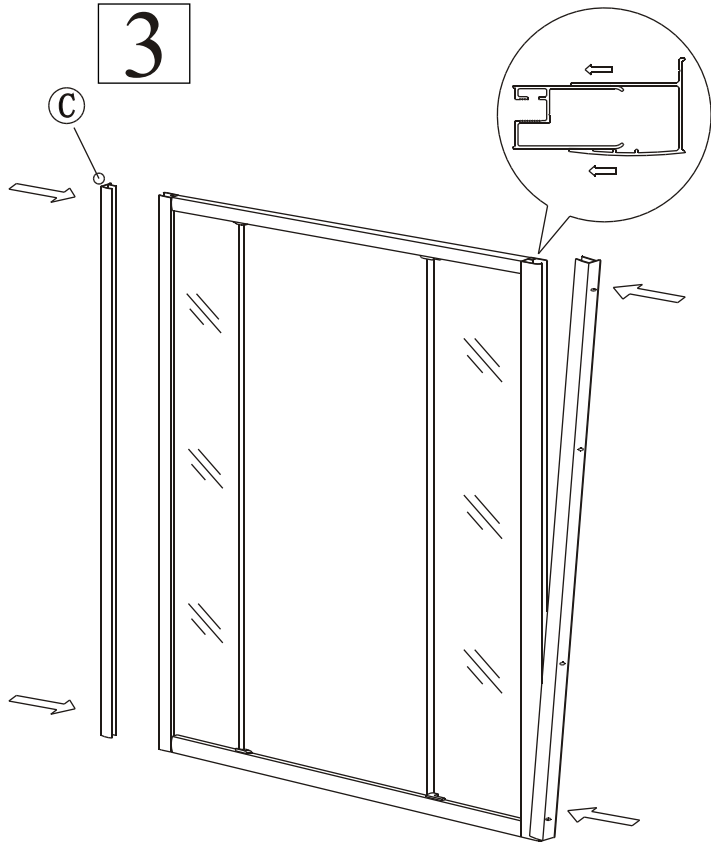


2

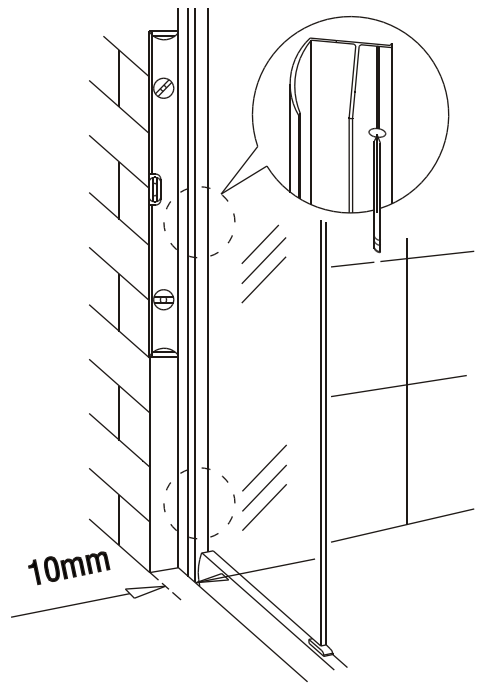


(1)

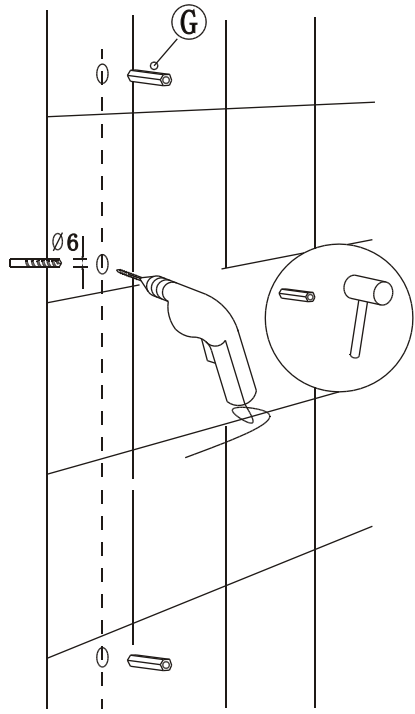
3



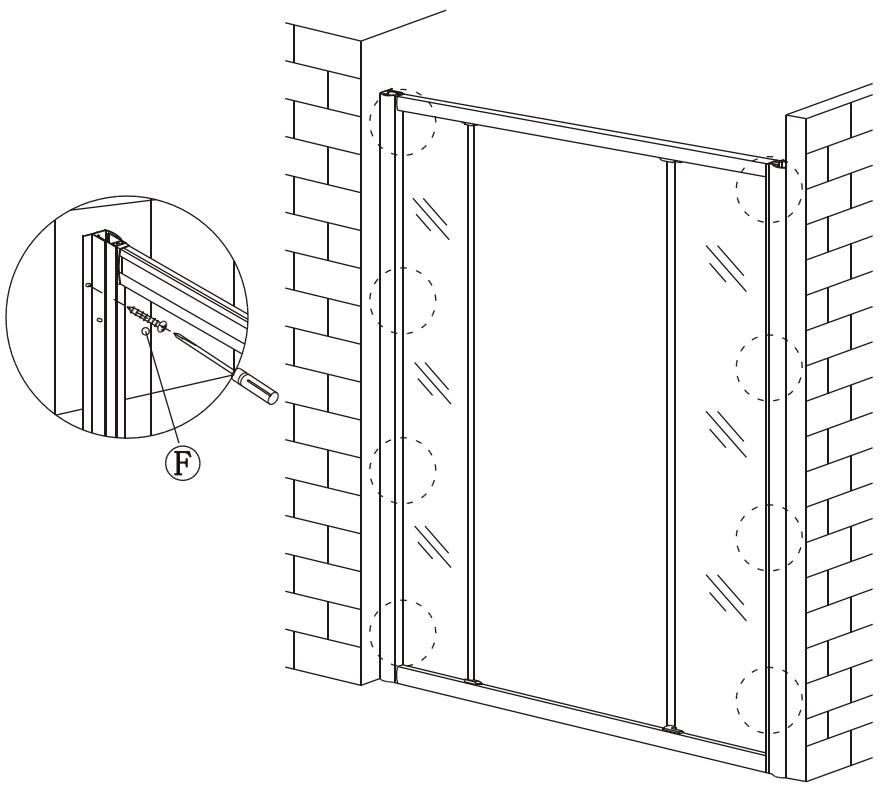
4



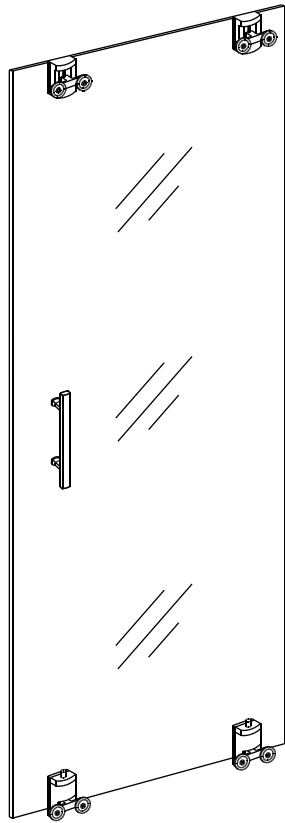
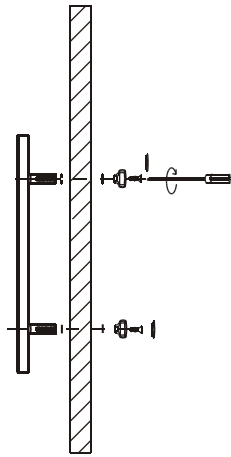
5



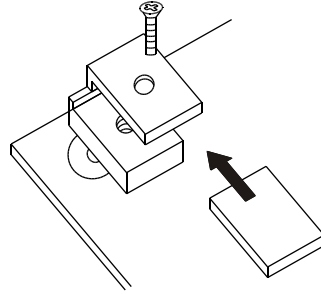
6



7

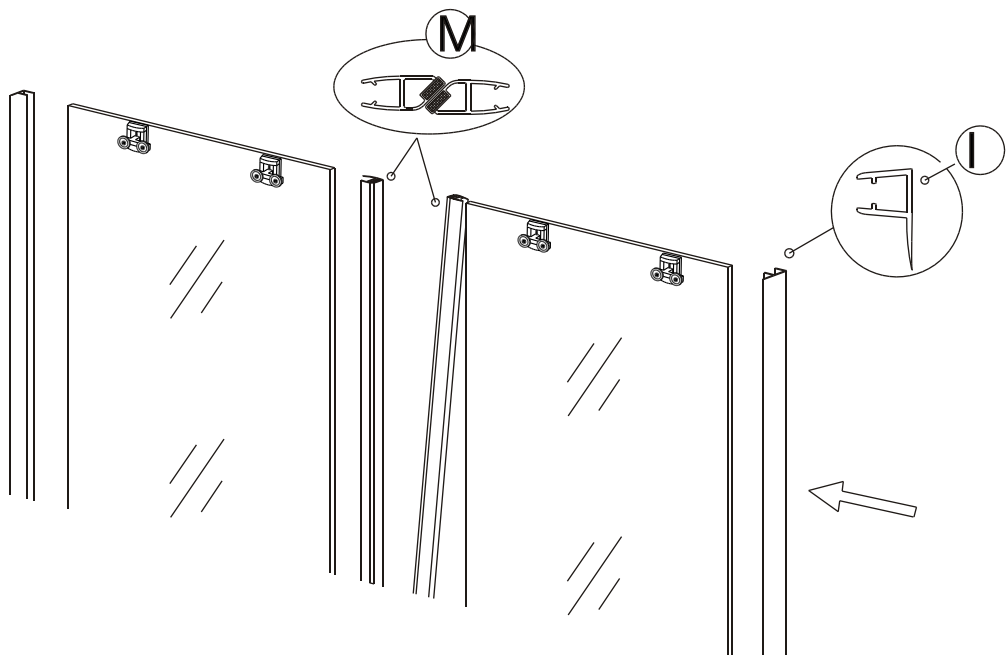


UP



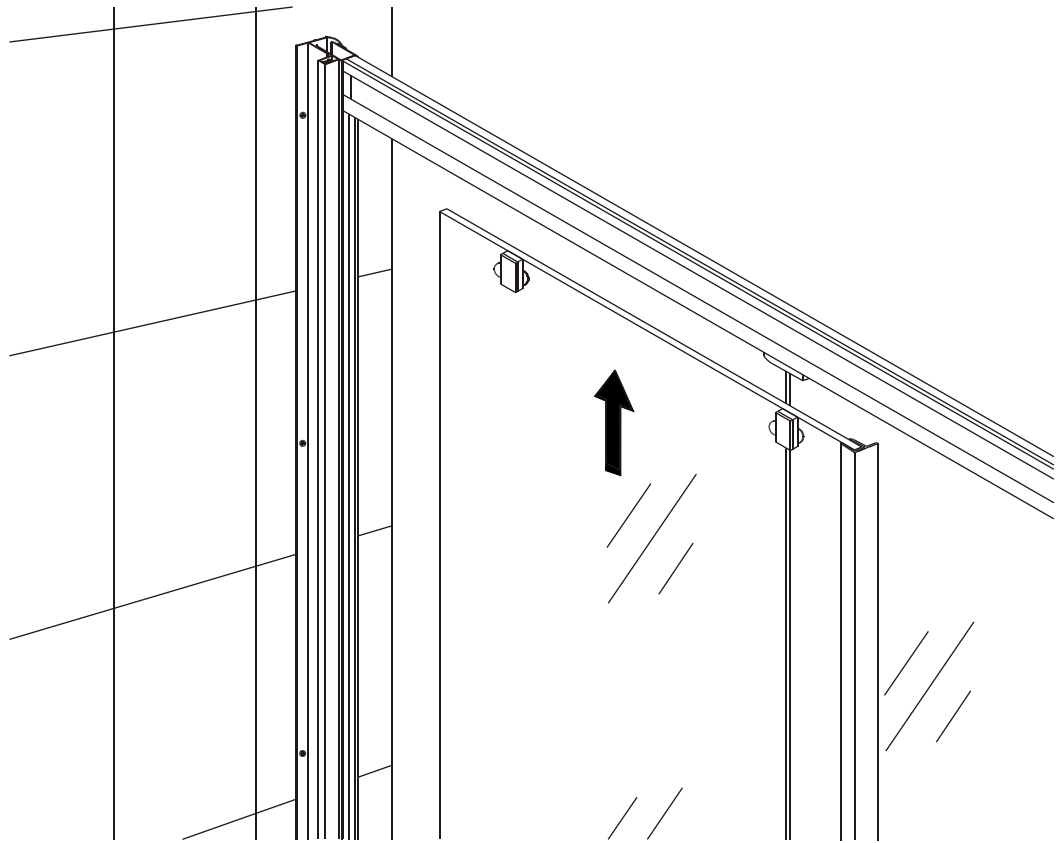
DOWN

8

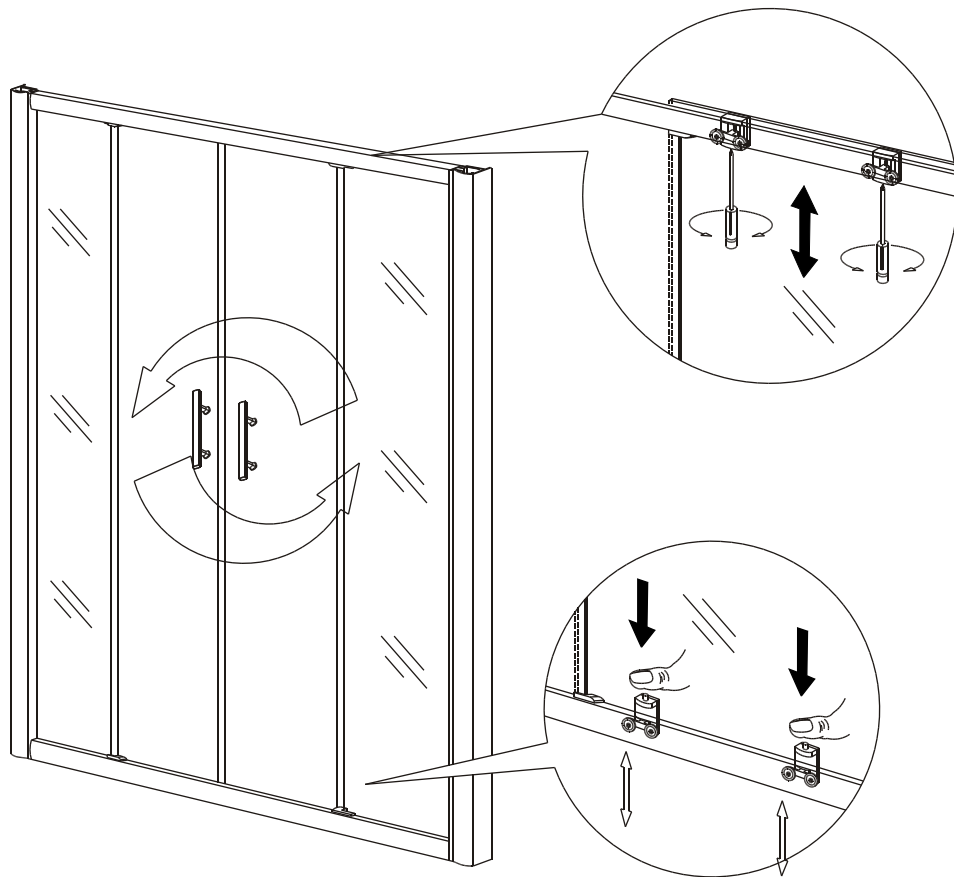


(3)

9

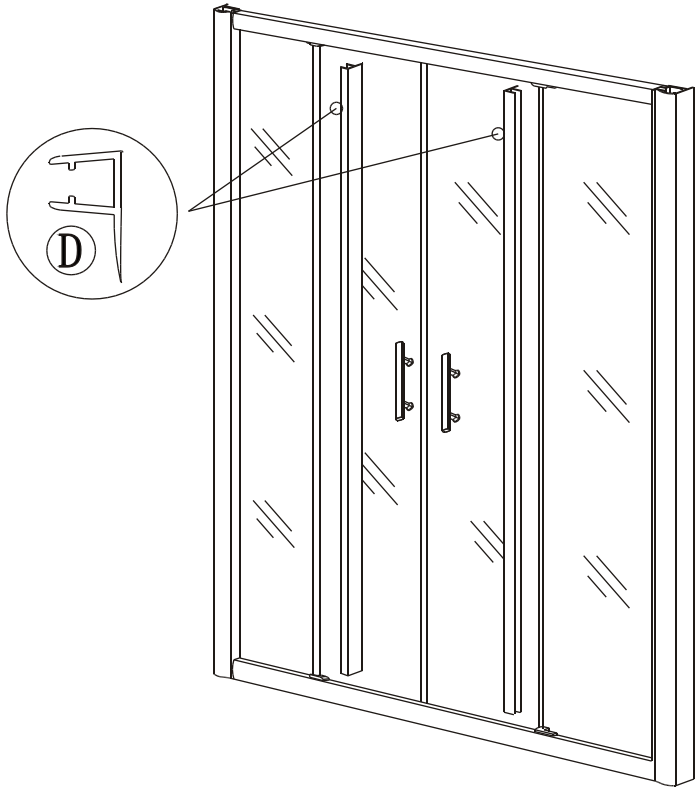


10

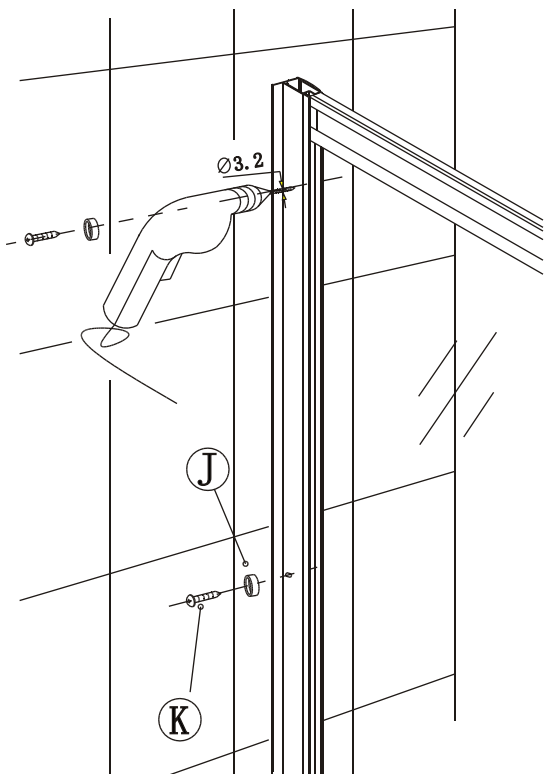


(4)

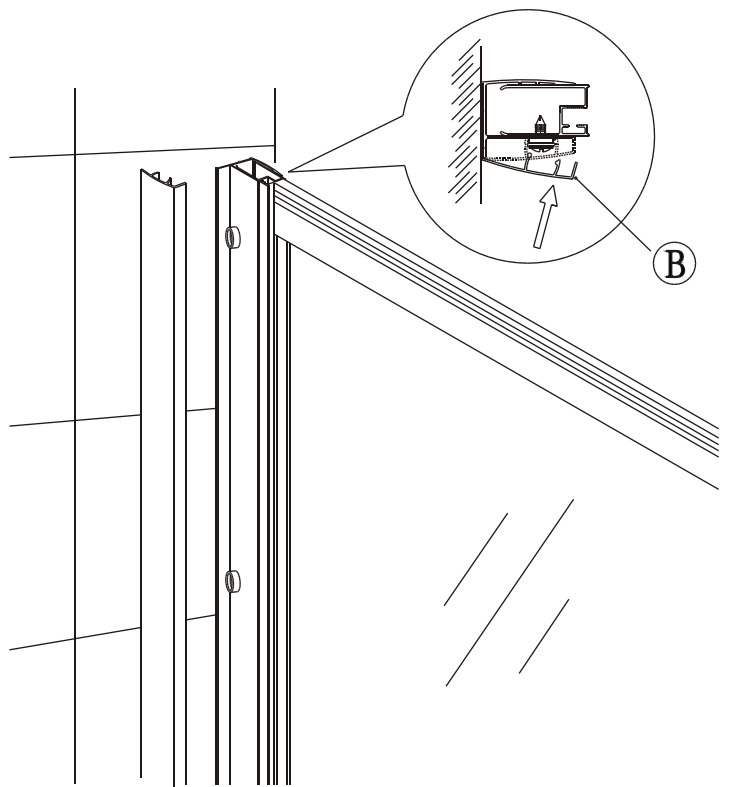
11



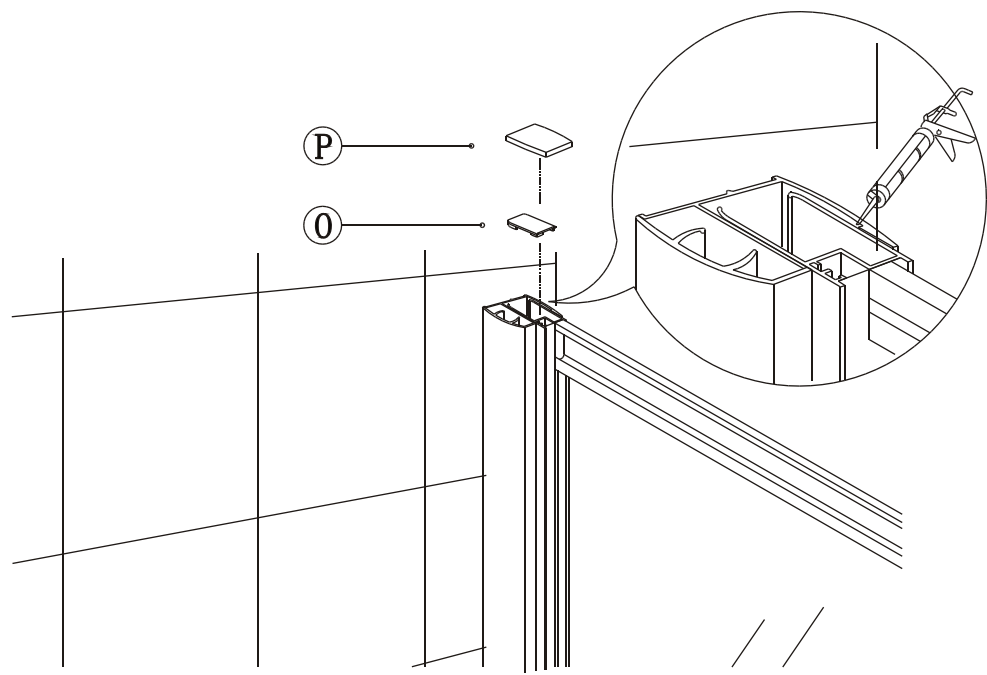
12



13



14



15



Please ensure silicone sealant is on the outside only.

Cleaning & Maintenance

Don't clean the shower enclosure with irritant detergent such as alcohol, bleach or other chemical cleaners.

Only clean with warm soapy water.

After the installation is completed, should you find that there is notable noise when the glass door moves, you may add a small quantity of lubricant onto the roller wheel, slipping hook and the track.

Helpline: 01452 317890