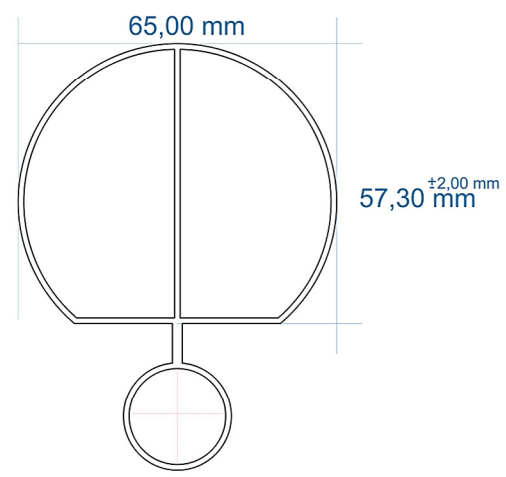
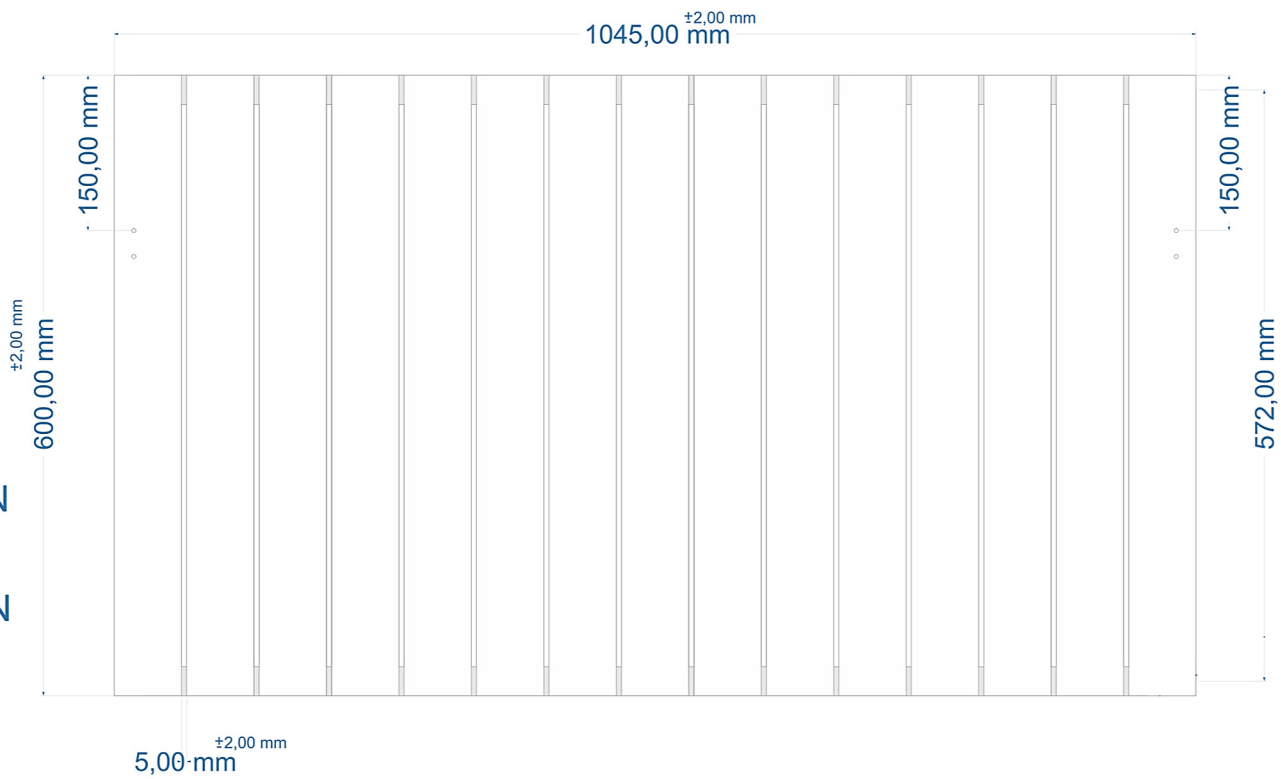
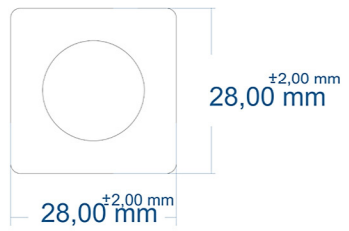
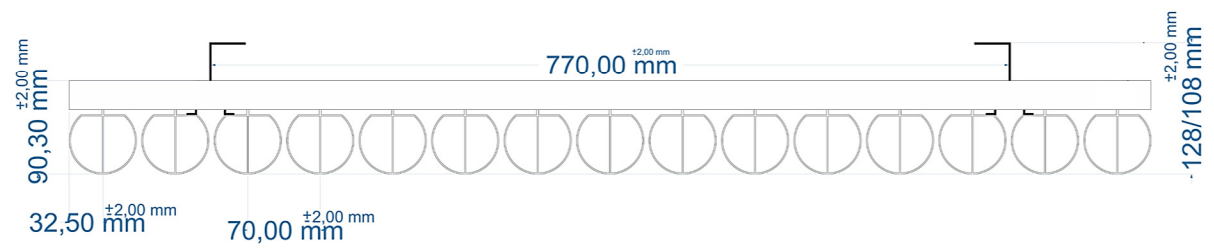


A SECTION
±2,00 mm

A SECTION
B SECTION



B SECTION




Eastbrook Road, Gloucester GL4 3DB
 Technical Helpline : 01452 317890
 Mon - Fri / 8am - 5pm
 Email : technical@eastbrookco.com