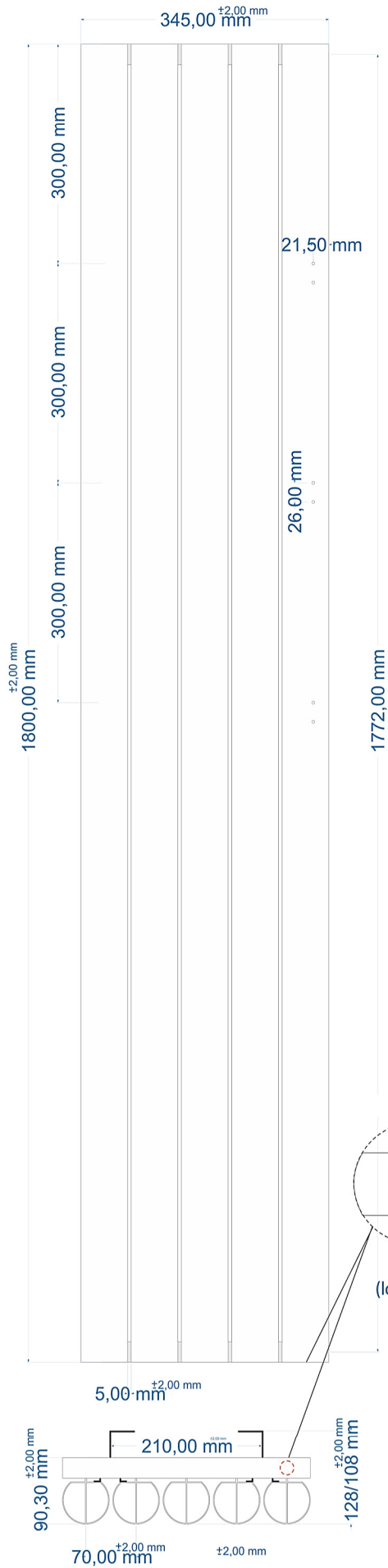
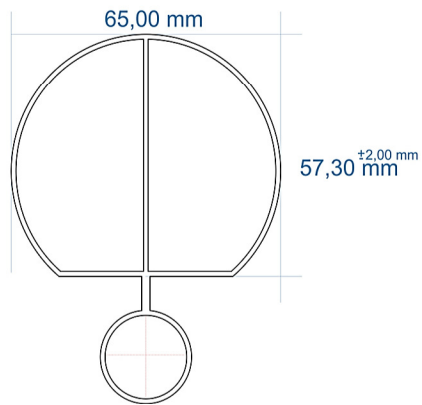


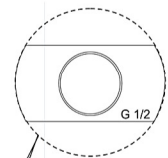
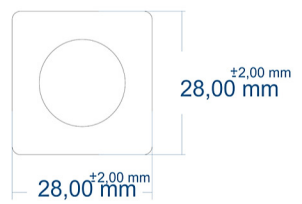
**TOWEL HANGER HOLES ARE AT THE BACK OF THE RADIATOR**



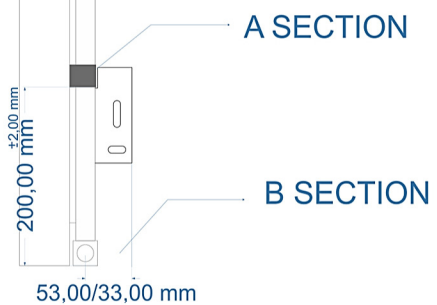
**A SECTION**  
±2,00 mm



**B SECTION**



**ELEMENT INLET**  
(located at the bottom right)





Eastbrook Road, Gloucester GL4 3DB  
 Technical Helpline : 01452 317890  
 Mon - Fri / 8am - 5pm  
 Email : [technical@eastbrookco.com](mailto:technical@eastbrookco.com)