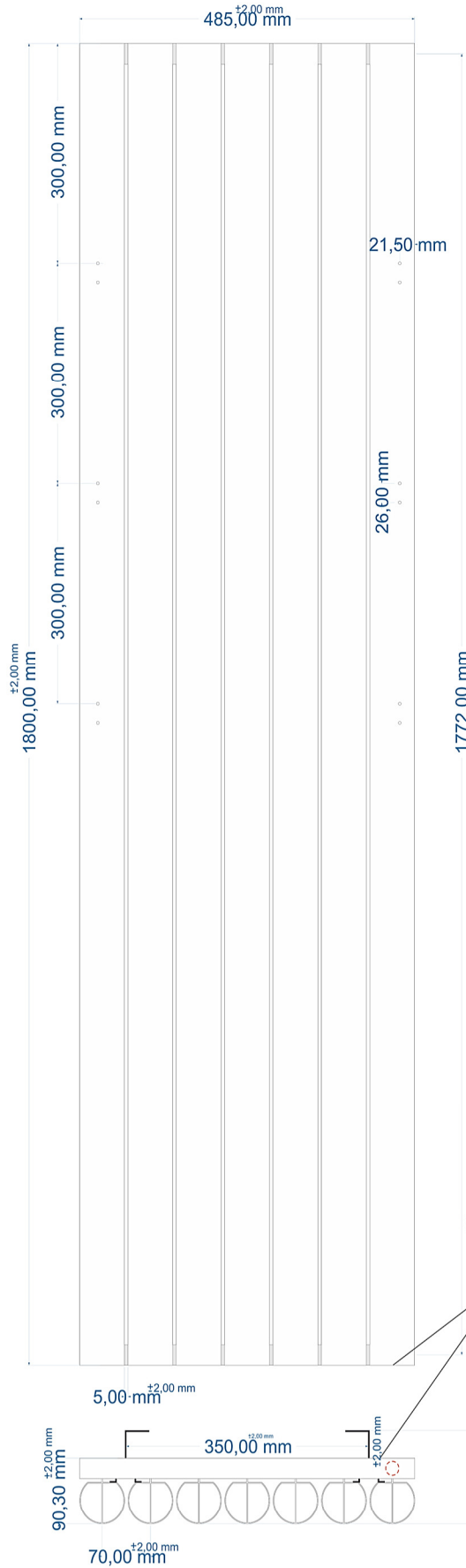
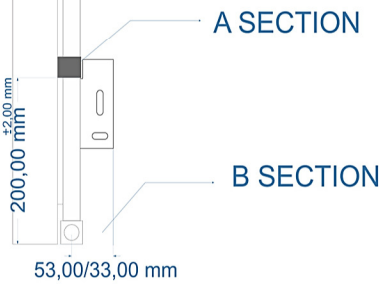
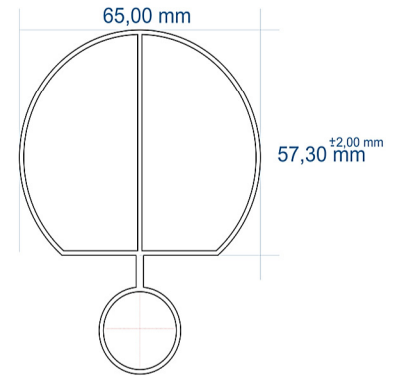


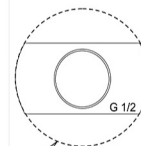
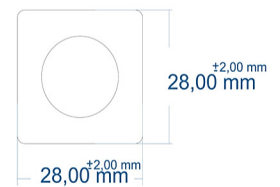
TOWEL HANGER HOLES ARE AT THE BACK OF THE RADIATOR



A SECTION
±2,00 mm



B SECTION



ELEMENT INLET
(located at the bottom right)



Eastbrook Road, Gloucester GL4 3DB
 Technical Helpline : 01452 317890
 Mon - Fri / 8am - 5pm
 Email : technical@eastbrookco.com