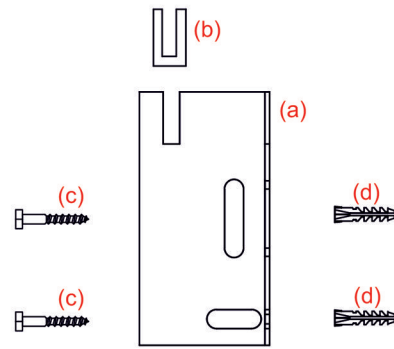
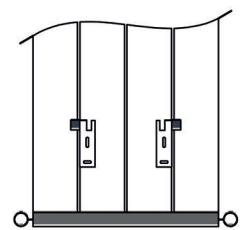
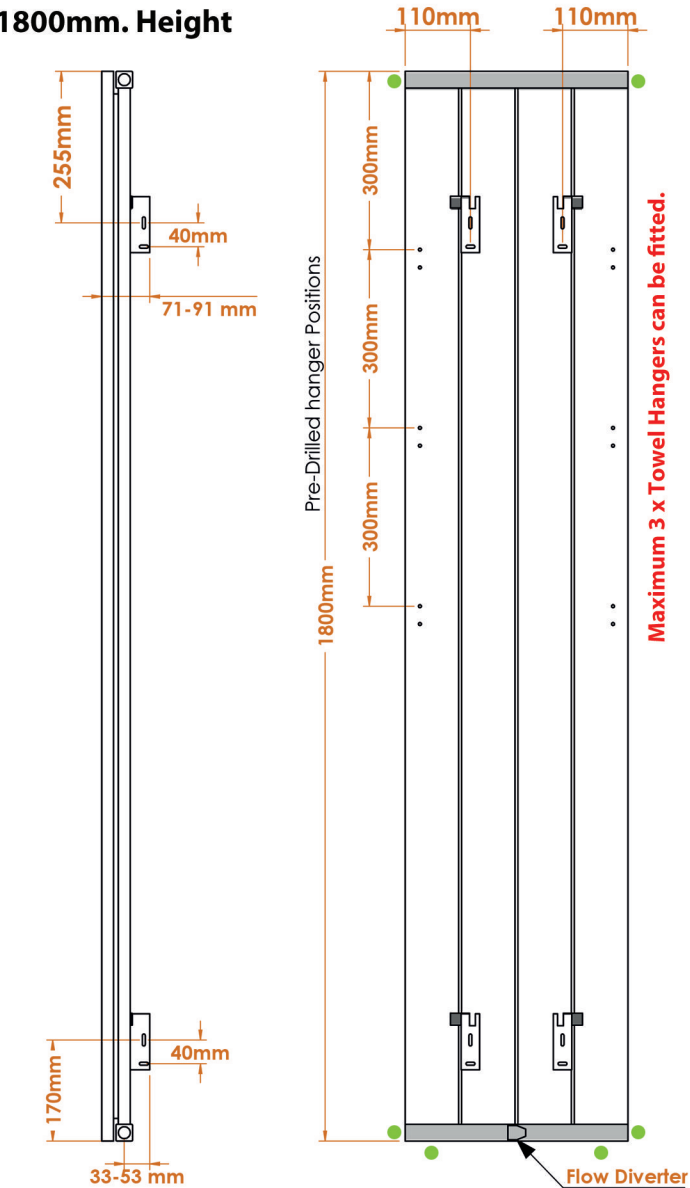


Wall Fixing Set includes;	
4	Bracket (a)
4	Plastic buffer (b)
8	Wall Screw (c)
8	Wall Plug (d)
1	Flow Diverter (e)

Bleed valve & blanking plug come installed on the radiator.



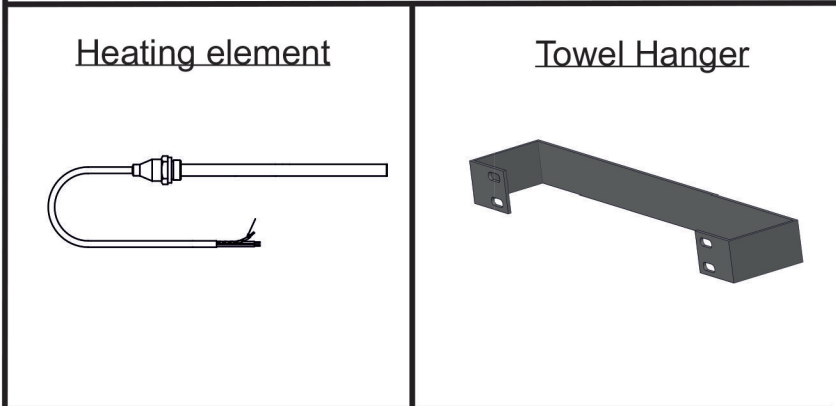
## 1800mm. Height



In total there are 6 inlets\* in 1800mm. Height sizes. The bottom 2 inlets are under the far left and right profiles.  
 \* Boxes of radiators with 6 inlets are marked. Otherwise 4 inlets in older productions. Element can be installed either on left or right side. Valve connections can also be made on the bottom inlets. All 6 inlets are marked with green dots above.

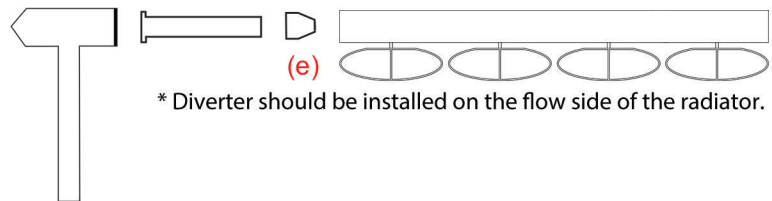
## Important Notes :

- For central heating system installations ; Flow diverter **must** be fitted on the flow side, on the bottom header. Bottom header blanking plugs may have to be removed in order to fit the flow diverter.
- For electric only & dual fuel installations ; Please do **NOT** fit the flow diverter, this may cause abnormalities in the water circulation and may end with cold spots on your radiator. Elements **must** be fitted to the element inlet on the flow side of the bottom header.



Heating Element and Towel Hanger sold separately

## How to install Flow Diverter



## Where to fit the Flow Diverter ? (1800mm. Height)

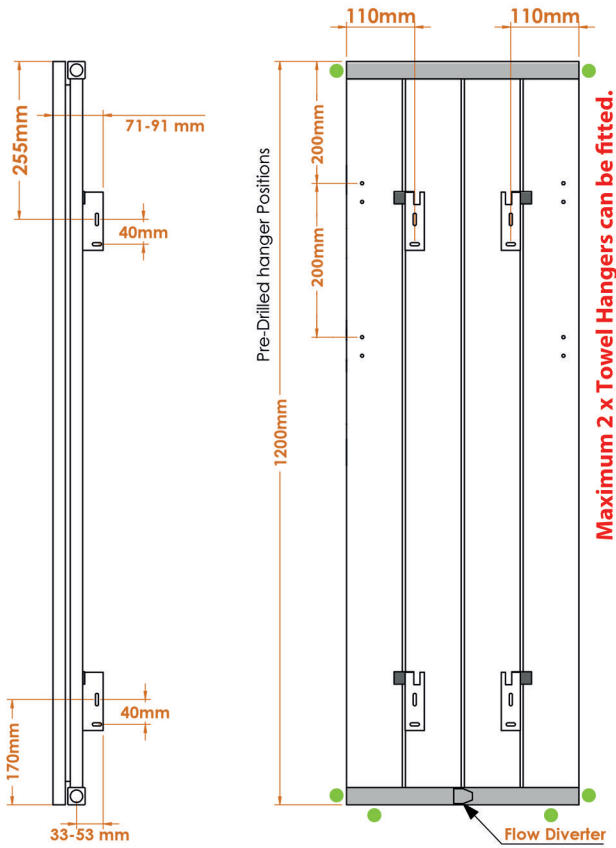
Profile Quantity of Radiator	Fit the Flow Diverter
2 , 3	Between the first and second profile
4 , 5	Between the second and third profile
6	Between the third and fourth profile

Profile Quantity	2	3	4	5	6
Radiator Width (mm.)	185	280	375	470	565

## IMPORTANT NOTE

Maximum working pressure is 4 bar. This radiator is to be used on Domestic Heating Systems **only**. (Not suitable for use on direct hot water systems)

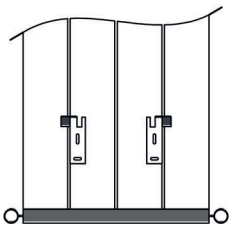
## 1200mm. Height



Pre-Drilled hanger Positions

Maximum 2 x Towel Hangers can be fitted.

Flow Diverter



Tappings = Width + Valves



In total there are 6 inlets\* in 1200mm. Height sizes. The bottom 2 inlets are under the far left and right profiles.  
 \* Boxes of radiators with 6 inlets are marked. Otherwise 4 inlets in older productions. Element can be installed either on left or right side. Valve connections can also be made on the bottom inlets. All 6 inlets are marked with green dots above.

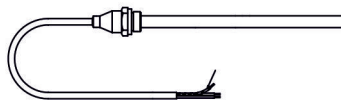
## INSTALLATION

- This product must be installed by a fully qualified engineer.
- Please consider using an Eastbrook Valve Set - this will ensure that your radiator looks its best with matching radiator valves.
- On commissioning, flush the central heating system thoroughly using a proprietary solution to ensure that aggressive substances such as fluxes and manufacturing residue, from which internal surfaces of your radiator can sustain irreparable damage - are removed. A specifically approved inhibitor for aluminium radiators needs to be subsequently added to the heating system in order to protect the radiator and other parts of the central heating system to promote extended operating lifespan. Please ensure, when adding inhibitor, not to underdose or overdose and follow the inhibitor instructions. **The Ph level of the system water should be between 6.5 and 7.5**  
*The inhibitor must not be nitrate based!*  
*Do not used softened water in your radiator! Beware of own brand inhibitors! Eastbrook recommends FERNOX F1 or equivalent inhibitor for your radiators.*

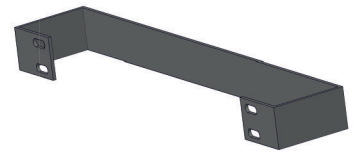
## MAINTENANCE

- From time to time it is advisable to clean your radiator with a warm damp cloth. Never use any form of abrasive cleaner or chemical.
- Corrosion inhibitor must also be regularly maintained, please consult your heating engineer for details.

### Heating element

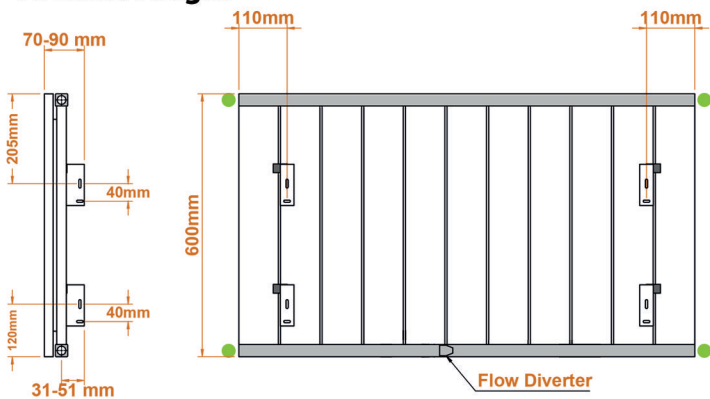


### Towel Hanger

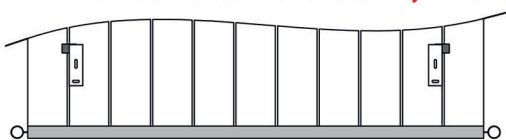


Heating Element and Towel Hanger sold separately

## 600mm. Height



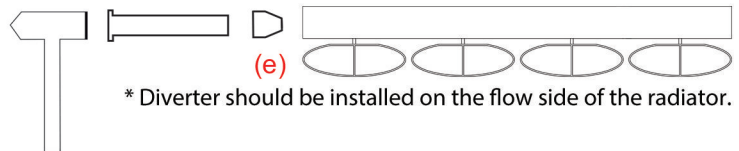
470mm. Width radiator has holes for only 1 x Towel Hanger.



Tappings = Width + Valves

In total there are 4 inlets in 600mm. Height sizes. All 6 inlets are marked with green dots above.  
 Element can be installed either on left or right side on the bottom header.

### How to install Flow Diverter



### Where to fit the Flow Diverter ? (1200 & 600mm Heights)

Profile Quantity of Radiator	Fit the Flow Diverter
2, 3	Between the first and second profile
4, 5	Between the second and third profile
6	Between the third and fourth profile
9	Between the fourth and fifth profile
11	Between the fifth and sixth profile
13, 15	Between the sixth and seventh profile

Profile Quantity	2	3	4	5	6	9	11	13	15
Radiator Width (mm.)	185	280	375	470	565	850	1040	1230	1420

## CONGRATULATIONS

You are the proud owner of an exclusive Malmesbury Aluminium Radiator which has been specially produced by our craftsmen who would wish you to enjoy many years of satisfaction from it.

## INSTALLATION

This product must be installed by a fully qualified engineer.

- Please consider using an Eastbrook Valve Set – this will ensure that your radiator looks its best with matching radiator valves.
- On commissioning, flush the central heating system thoroughly using a proprietary solution to ensure that aggressive substances such as fluxes and manufacturing residue, from which internal surfaces of your radiator can sustain irreparable damage – are removed. A specifically approved inhibitor for aluminium radiators needs to be subsequently added to the heating system in order to protect the radiator and other parts of the central heating system to promote extended operating lifespan.

Please ensure, when adding inhibitor, not to underdose or overdose and follow the inhibitor instructions. The Ph level of the system water should be between 6.5 and 7.5

The inhibitor must not be nitrate based!

Do not use softened water in your radiator!

Beware of own brand inhibitors!

Eastbrook recommends FERNOX F1 or equivalent inhibitor for your radiators.

## MAINTENANCE

- From time to time it is advisable to clean your towel rail with a warm damp cloth. Never use any form of abrasive cleaner or chemical.
- Corrosion inhibitor must also be regularly maintained, please consult your engineer for details.

## IMPORTANT

- Maximum working pressure of this radiator is 4 bar.
- This radiator is to be used on Domestic Central Heating systems only. (Not suitable for use on direct hot water systems). Please consult your engineer or supplier.

## WARRANTY

Your Malmesbury Aluminium Radiator has a manufacturer's warranty for five years in respect of defective materials and workmanship and subject to installation being carried out by a qualified engineer in accordance with good practice and the appropriate corrosion inhibitor being regularly maintained.

**REMEMBER** ..... Excellence is worth looking after.