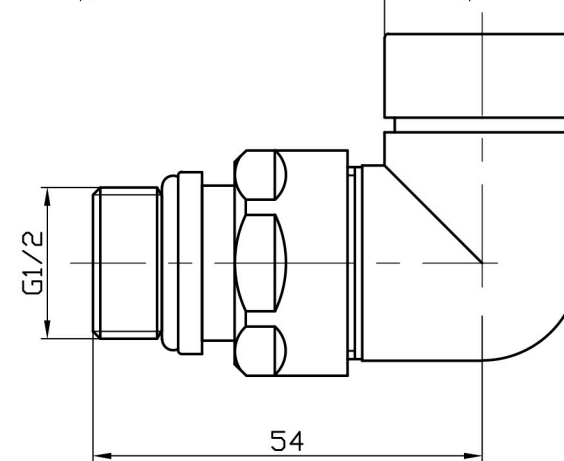
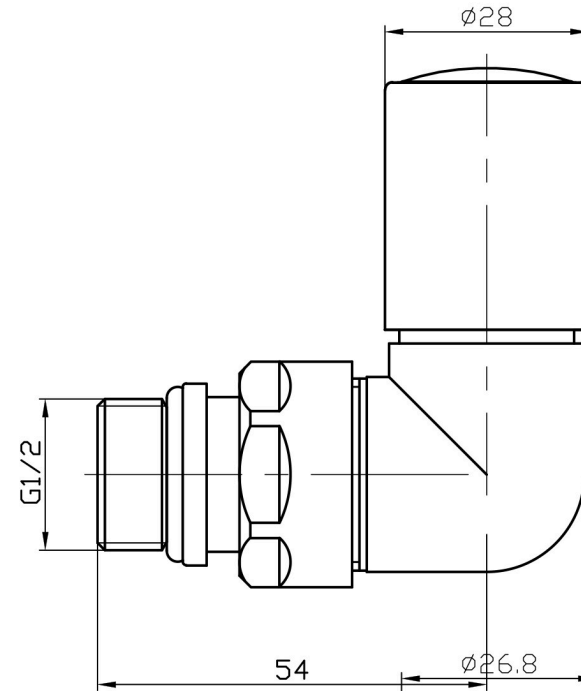
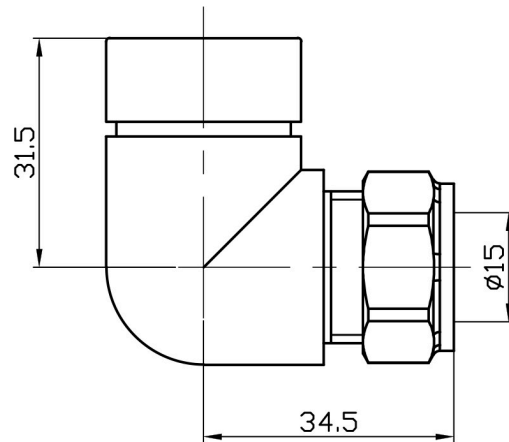
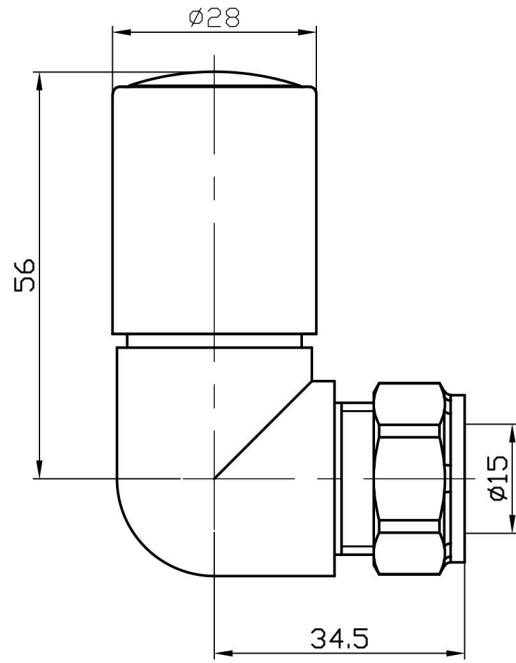


## Round Corner Radiator Valves (pair) Technical Drawing



41.3006  
41.0611  
41.3017  
41.3018  
41.3019  
12.018  
12.071  
12.074  
12.083