

## DATASHEET

### Image



### General Information

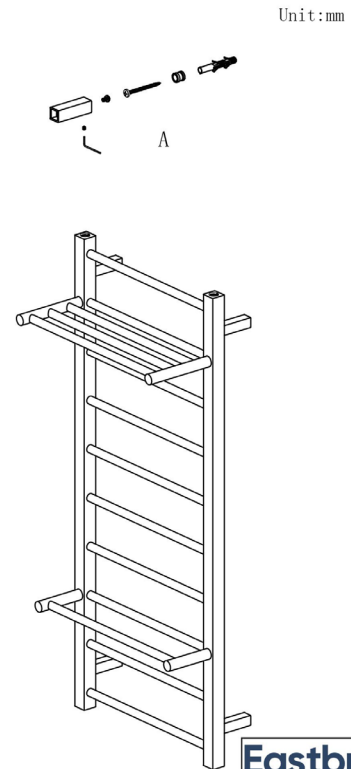
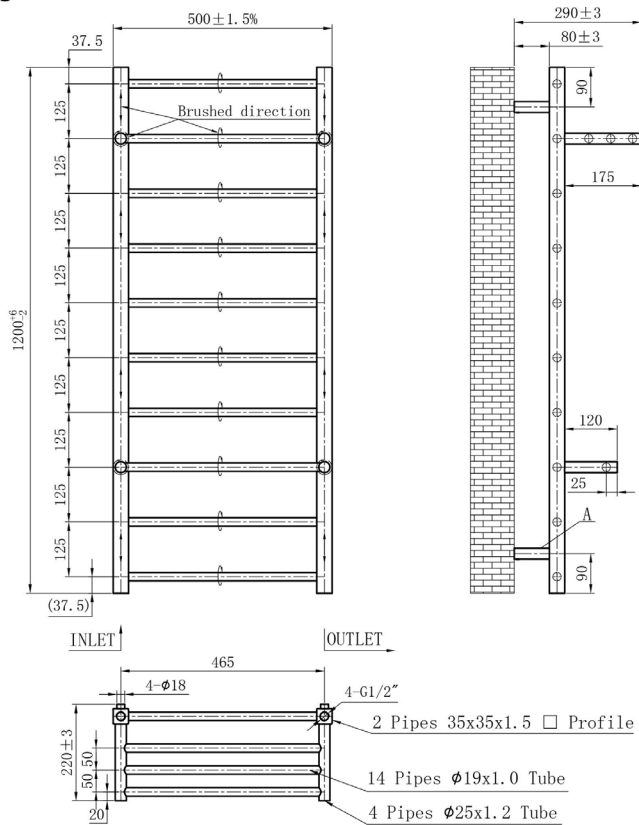
Product:	41.1117
Description:	Velino Stainless Steel Towel Rail 1200 x 500
Brand:	Eastbrook Company
Colour:	Brushed
Material:	Stainless Steel
Height (mm):	1200mm
Width (mm):	500mm
Net Weight (kg):	6.22kg
Product Range:	Velino

### Product Specifications

Finish:	Brushed
BTU $\Delta T50^{\circ}\text{C}$ :	1081
BTU $\Delta T60^{\circ}\text{C}$ :	1358
Watts $\Delta T50^{\circ}\text{C}$ :	317
Watts $\Delta T60^{\circ}\text{C}$ :	398

**Drawing**

**Velino 1200 x 500mm. Stainless Steel Brushed  
 Technical Drawing**



**Eastbrook**   
 Eastbrook Road, Gloucester GL4 3DB  
 Technical Helpline : 01452 317890  
 Mon - Fri / 8am - 5pm  
 Email : technical@eastbrookco.com