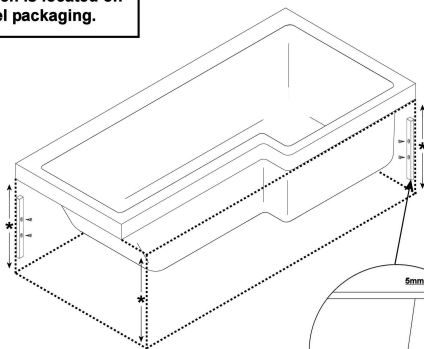


# Don

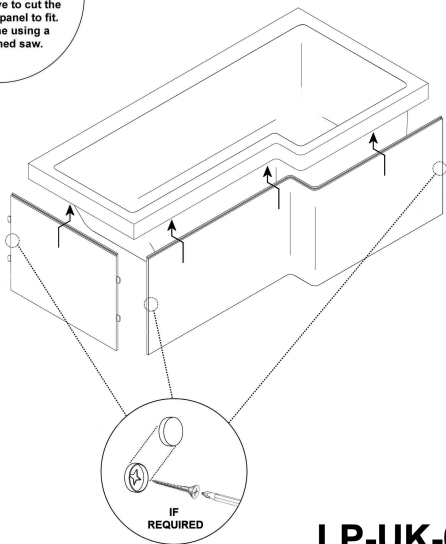
Quantum S/Bath - Panel Installation



\* Refer to the panel height label, which is located on your panel packaging.



The panel is supplied to fit but if the walls are uneven or the walls are tiled making the panel too long, you may have to cut the ends of the panel to fit. This is done using a fine toothed saw.



**LP-UK-0080**