

# ARC SHOWERBATH

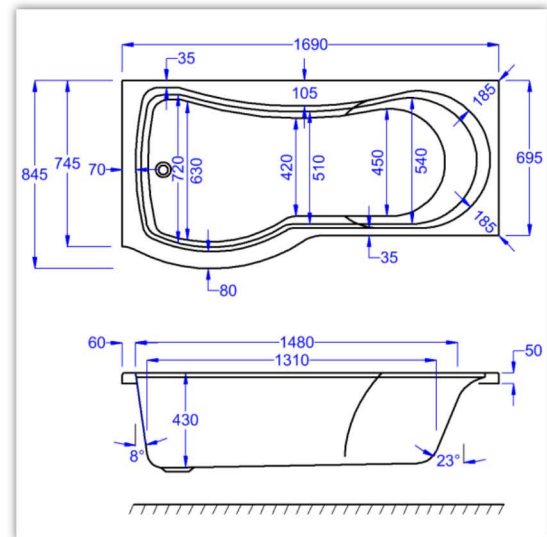
1700x700(850)



LEFT HANDED



LEFT HANDED



LEFT HANDED



Carronite



Panel



Showerscreen



Whirlpool

## WHIRLPOOL COMPATIBLE

**Clenda Systems  
1 & 4**

## WATER CAPACITY

**250 LTR**

This measurement is taken to the overflow.

## KIT REFERENCES

**STANDARD - AK-05**  
**CARRONITE - AK-05-C**

**Carron Bathrooms Ltd**  
North Carron Works, Stenhouse Road, Falkirk, FK2 8UW  
Tel: +44 (0) 1324 638407  
Email: [info@carronbathrooms.com](mailto:info@carronbathrooms.com)

**carron**