

PRESSURE REDUCING VALVE

Models:

3/4" / 1/2" & 22mm/15mm

This product must be fitted by a fully qualified installer.

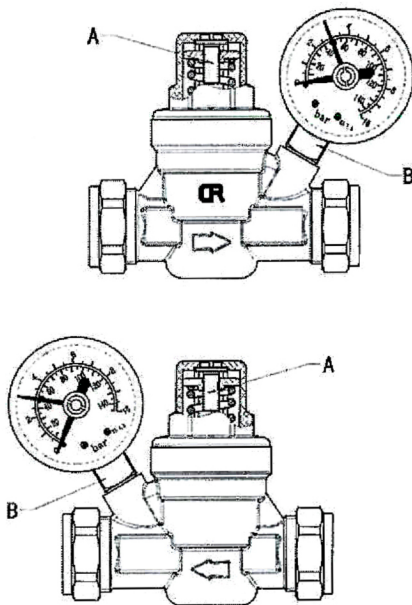
The pressure reducing valve is suitable for water temperature up to 80°C and inlet pressures up to 16 bar. The outlet pressure can be adjusted between 1 bar and 6 bar. Typically these valves are used on the incoming water supply.

INSTRUCTION FOR INSTALLATION

The pressure reducing valve must be fitted to direction arrow on the body. For ease of servicing it is recommended to install isolating valves upstream and downstream of the valve.

SETTING INSTRUCTION

This Pressure reducing valve has been preset at factory to 3 Bar. When adjusting pressure settings;



- 1) Close all items (taps etc.) after from the PRV.
- 2) Turn screw (A) Anti-clockwise to reduce the pressure (Unscrew).
- 3) Turn screw (A) Clockwise to increase pressure (Screw).

NOTE: In order to simplify this pressure setting

Replace the plug (B) on the body of PRV with the gauge supplied. The pressure gauge will show the outlet pressure during adjustment and can be removed after setting if necessary, ensure plug (B) is refitted.

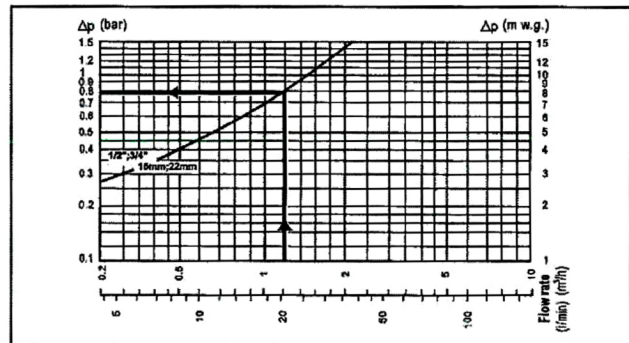
TECHNICAL SPECIFICATIONS

Max inlet working pressure:	16 bar
Setting:	min. 1bar max 6 bar
Max temperature(water):	80°C
Pre-setting at factory:	3 bar
Pressure gauge reading	0-10 bar/140psi
Pressure gauge connection	1/4" BSP
Suitable for water	

Applications:

Model 22/15mm	Connections: 22mm/15mm
Model 3/4" / 1/2"	Connections: 3/4" /1/2" BSP
Body Material	Brass DZR(Chrome)

Pressure Drop



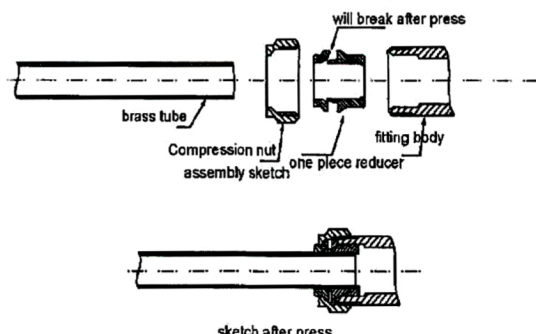
Care instructions

PRV's are supplied fitted with an inbuilt stainless steel strainer to protect the cartridge from system debris. It is recommended that this filter is periodically cleaned; this can be achieved with the valve in situ.

Procedure

Close both inlet and outlet Isolating valves, if isolating valves are not installed drain the system. Unscrew the Black plastic cap carefully and using pliers **PULL** the complete filter out. Clean with warm water, check and refit the cartridge by pushing back into body. Re install the plastic cap, spring and adjustment screw. Turn water back on and ckeck pressure setting.

Reducer Instructions



This product can be fitted on horizontal and vertical pipe.