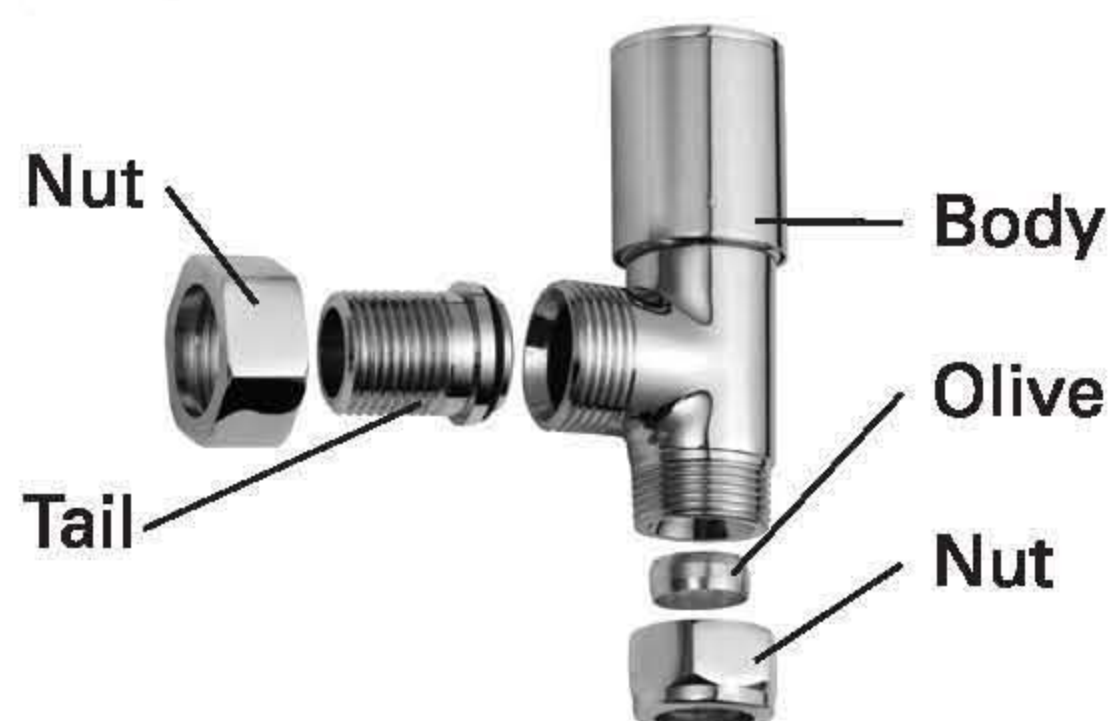


Installation Instruction

Eastbrook

Pictures for below products is for installation purpose only, actual products may differ slightly.

Eastbrook Road, Gloucester GL4 3DB
Technical Helpline: 01452 317890
email: technical@eastbrookco.com



Before You Begin

It is advised that the installation of this valve is carried out by a fully qualified plumber or advice is obtained from a suitably qualified person or professional.

Note to Installer

Prior to installation please ensure that all of the illustrated contents are present and correct.

Please ensure that all items are inspected for fault / damage prior to any installation commencing. Products will not be accepted back if damage is found after installation has commenced. Please retain all original packaging in case the item is to be returned. Goods will not be accepted back unless in the original packaging.

Preparation

Ensure the radiator is clean from debris before you start to install the valve. Please see next page for an illustrated step by step installation guide.



Installation Method



1. Wrap PTFE tape clockwise around the tail thread



2. Screw the threaded end into the radiator or towel rail



3. Tighten using an appropriate tool



4. Attach valve and turn finger tight in to the correct position



5. Fully tighten the valve using an appropriate tool



6. Insert pipe.



7. Tighten the the nut that holds the pipe in position



8. Run the central heating to the radiator

