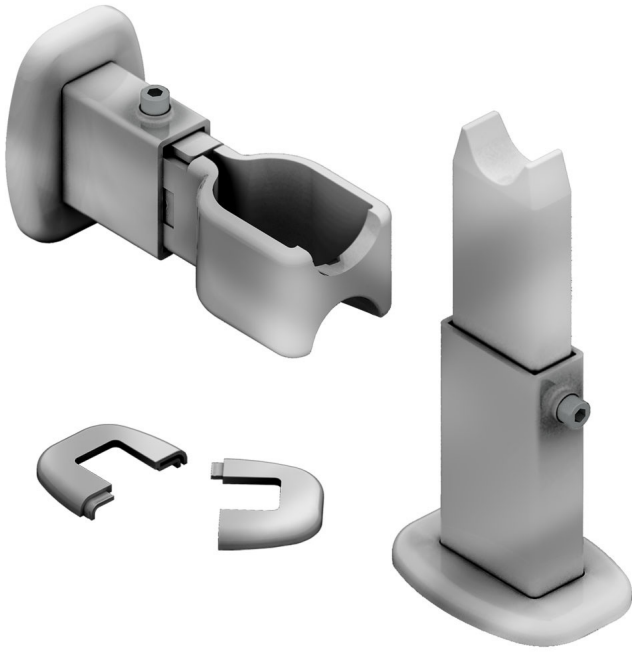


DATASHEET

Image



General Information

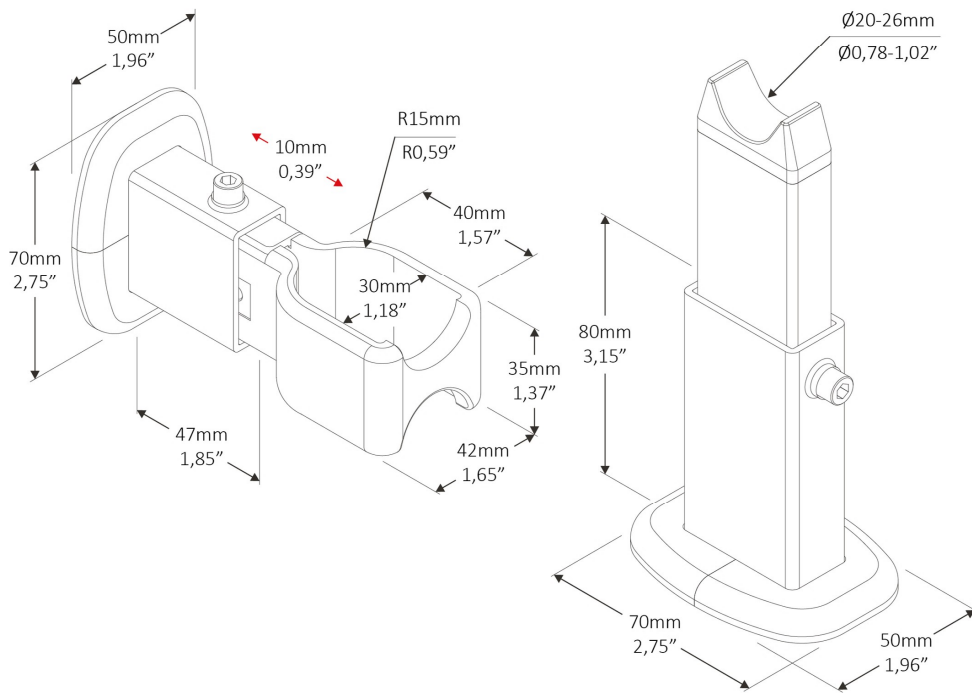
Product:	16.154
Description:	Room Divider Bracket Set for Towel Rails
Website Link:	(Click Here)
Product Type:	Bracket Set
Brand:	Eastbrook Company
Colour:	Chrome
Net Weight (kg):	1.5kg
Product Range:	Universal

Product Specifications

Warranty:	2 Year(s)
-----------	-----------

Drawing

16.153 & 16.154 Room Divider Bracket Set Technical Drawing



16.153



16.154

Eastbrook 
Eastbrook Road, Gloucester GL4 3DB
Technical Helpline : 01452 317890
Mon - Fri / 8am - 5pm
Email : technical@eastbrookco.com