

## DATASHEET

### Image



### General Information

Product:	41.0731
Description:	Pair of Traditional Rad Valves + Tails
Website Link:	<a href="#">(Click Here)</a>
Product Type:	Radiator Valve
Brand:	Eastbrook Company
Colour:	Matt Black
Material:	Brass
Net Weight (kg):	0.93kg
Product Range:	Radiator Valves

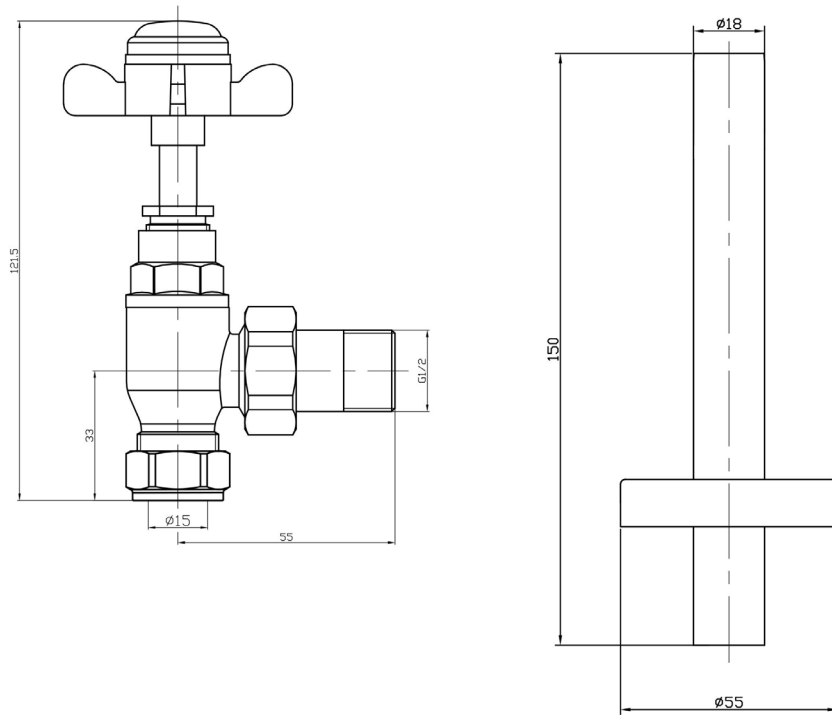
### Product Specifications

Warranty:	2 Year(s)
Valve Types:	Angled

## Drawing

### Angled Traditional Radiator Valves with Sleeve Kit (pair) Technical Drawing

41.3009  
41.0729  
41.0730  
41.0731  
41.0710



**Eastbrook**   
Eastbrook Road, Gloucester GL4 3DB  
Technical Helpline : 01452 317890  
Mon - Fri / 8am - 5pm  
Email : technical@eastbrookco.com