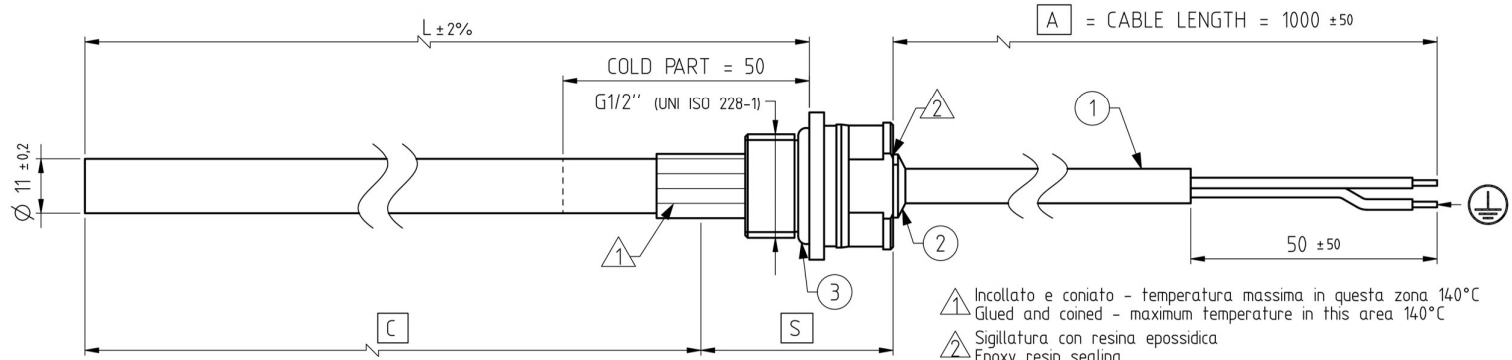
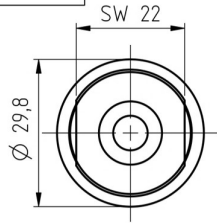


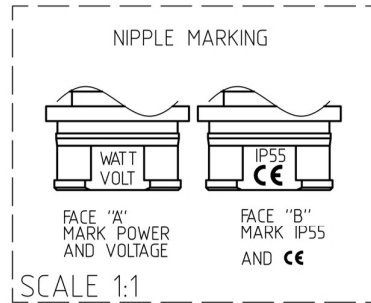
Type A+ Element Technical Drawing

CLASS I INSULATION
ISOLAMENTO CLASSE I IP55



- 1 Incollato e coniato - temperatura massima in questa zona 140°C
Glued and coined - maximum temperature in this area 140°C
- 2 Sigillatura con resina epossidica
Epoxy resin sealing
- 3 Yellow/green earth wire must be connected to the corresponding yellow/green ground wire of the electric supply.
Il cavo giallo/verde deve essere collegato al circuito di terra dell'impianto elettrico di alimentazione.
THIS PRODUCT MUST BE EARTHED

Temperatura massima ammessa Maximum allowable temperature	
AREA/ZONE	°C
C	100
S	100
A	70



APPLICATION AND WARNING

In case of any damage to the electrical connections, the heater must be returned to the supplier or be serviced by a qualified electrician. Do not alter any of the factory fitted electrical connections. For heaters fitted without a feed plug, an isolating device ensuring disconnection from the circuit must be fitted. There must be at least 3mm between contacts in the open position. Residual current circuit breaker (RCCD) should be fitted in line with the current IEE regulations.

Heating element only for use with water or water plus glycol filling towel rail.
Maximum heating element surface temperature 100°C
Elemento riscaldante da utilizzarsi solo ed esclusivamente in asciugasalviette riempiti con acqua o miscele acqua più glicole.
Massima temperatura superficiale di funzionamento 100°C.

NORME DI RIFERIMENTO PER COSTRUZIONE E TEST ELETTRICI
REFERENCE STANDARDS FOR CONSTRUCTION AND ELECTRICAL TESTING

CEI EN 60335-1

except par. 10.

3	O-Ring gasket	1	EPDM 17x3.25
2	Cable gland	1	RAL 9010 (white)
1	PVC Bipolar + Grounding Cable	1	H05VV-F3G1 section 1mm ² RAL 9010 (white)
ID	Description	Qty.	Informations

ASSEMBLY - THE HEATER CAN BE ASSEMBLED VERTICALLY OR HORIZONTALLY IN THE TOWEL RAIL OR RADIATOR.

Eastbrook

Eastbrook Road, Gloucester GL4 3DB

Technical Helpline : 01452 317890

Mon - Fri / 8am - 5pm

Email : technical@eastbrookco.com