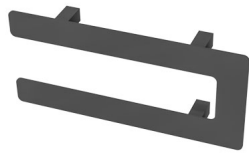


DATASHEET

Image



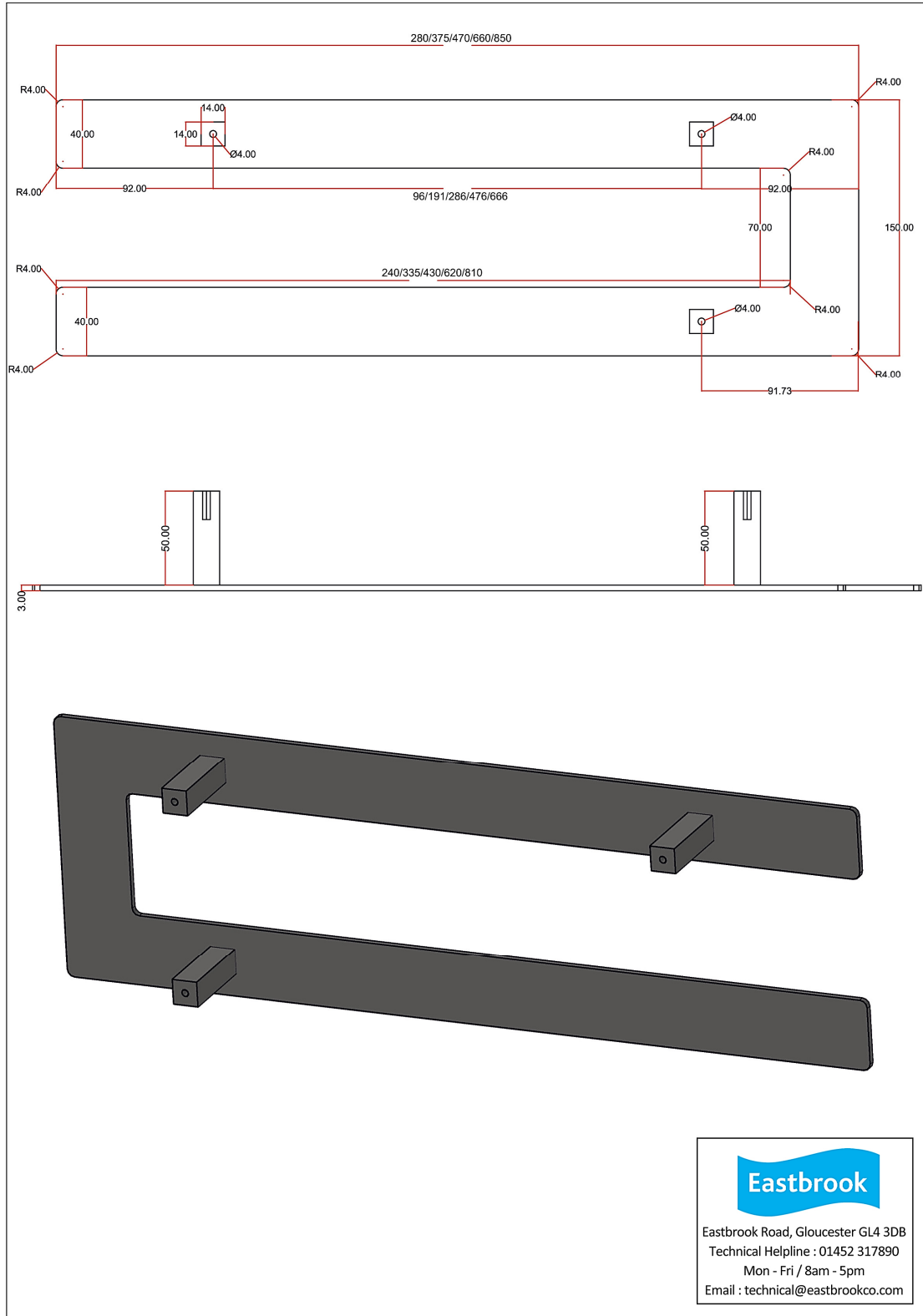
General Information

Product:	89.0375
Description:	Universal Double Flat Style Towel Hanger 375mm
Website Link:	(Click Here)
Product Type:	Towel Hanger
Brand:	Eastbrook Company
Colour:	Matt Anthracite
Material:	Mild Steel
Width (mm):	375mm
Net Weight (kg):	1.02kg
Product Range:	Universal

Product Specifications

Warranty:	1 Year(s)
-----------	-----------

Drawing




Eastbrook Road, Gloucester GL4 3DB
Technical Helpline : 01452 317890
Mon - Fri / 8am - 5pm
Email : technical@eastbrookco.com