

SORRENTO MIRROR INSTALLATION GUIDE

ATTENTION, READ THESE INSTRUCTIONS BEFORE PROCEEDING AND GIVE THESE INSTRUCTIONS TO THE END USER.

THIS FURNITURE MUST BE INSTALLED BY A TRAINED FITTER WHO HAS EXPERIENCE OF FITTING BATHROOM FURNITURE. CHECK ALL PRODUCTS CAREFULLY BEFORE FITTING. DO NOT FIT ANY DEFECTIVE PRODUCT. CONTACT YOUR SUPPLIER IMMEDIATELY.

THE LOCATION WHERE THIS PRODUCT IS FITTED MUST BE WELL VENTILATED. THIS PRODUCT IS INTENDED TO WITHSTAND NORMAL HUMIDITY FOUND IN BATHROOMS. IT MUST NEVER BE EXPOSED TO DIRECT WATER SPLASHING OR SOAKING FROM SHOWER HEADS, BATHWATER OR OTHER WATER OUTLET. ALWAYS DRY IMMEDIATELY IF THE FURNITURE IS WET.

NEVER USE STRONG DETERGENTS OR ABRASIVE CLEANERS AS THESE CAN CAUSE DAMAGE. WIPE WITH A WET CLOTH AND A MILD LIQUID CLEANER.

MIRROR

Fix wall brackets provided to the wall at the required height so that they match with brackets on the back of the mirror. (Detail A)
Adjust for level when fitted.

CORNICE

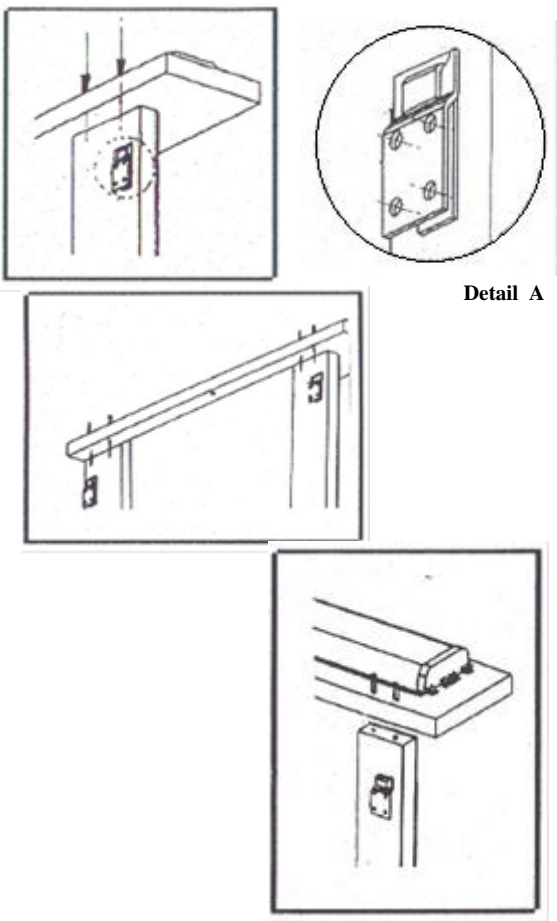
Use only qualified electricians to fit or repair this product.
Respect all local or national regulations concerning the installation and use of this product.
If using a cornice, fix the cornice using the fixing bolts supplied.
Always leave a min. 10cm gap between the top of the cornice and the ceiling.
Do not lift the cupboard by the cornice when it is fitted.

ELECTRICAL CONNECTION(VOLTAGE 220-240 V- lamp 20W 12 V)

1. Turn off power at the mains when fitting cornice.
2. Connect external cornice cable to the main supply using an electrical standard connector with a min. 1.5mm² section.
3. Colour code for power supply is:
Brown Live
Blue Neutral
Yellow/Green Earth

4. Rating: IP54.
5. When changing halogen lamp bulbs, disconnect power supply and let bulbs cool down.
Avoid touching quartz bulb or inside the reflector with bare hands.

SORRENTO



Detail A

NOTICE

THE PLASTIC COVER over the fittings in the cornice is now required by European and British Standards to qualify for use in a bathroom environment. It is intended to prevent the ingress of dust sufficient to cause harm and to protect against water “splashing” (intermittent and irregular and not “jets of water”). As a result, there is now limited ventilation for the heat created by the lights and the transformers to dissipate. This product should not therefore be left illuminated for long periods (e.g. all day or all night).

IF THE CORNICE is fitted with an infra-red “wave” action on-off system for the light, turn the light on and off by waving a hand up to 10cm from the sensor. Do not fit or place anything within 15cm of the sensor (to obstruct it) as this can affect the working of the sensor.