

REVERSIBLE WALL CUPBOARDS

READ THESE INSTRUCTIONS BEFORE PROCEEDING AND GIVE THESE INSTRUCTIONS TO THE END USER.

THIS FURNITURE MUST BE INSTALLED BY A TRAINED FITTER WHO HAS EXPERIENCE OF FITTING BATHROOM FURNITURE. CHECK ALL PRODUCTS CAREFULLY BEFORE FITTING. DO NOT FIT ANY DEFECTIVE PRODUCT. CONTACT YOUR SUPPLIER IMMEDIATELY.

THE LOCATION WHERE THIS PRODUCT IS FITTED MUST BE WELL VENTILATED. THIS PRODUCT IS INTENDED TO WITHSTAND NORMAL HUMIDITY FOUND IN BATHROOMS. IT MUST NEVER BE EXPOSED TO DIRECT WATER SPLASHING OR SOAKING FROM SHOWER HEADS, BATHWATER OR OTHER WATER OUTLET. ALWAYS DRY IMMEDIATELY IF THE FURNITURE IS WET.

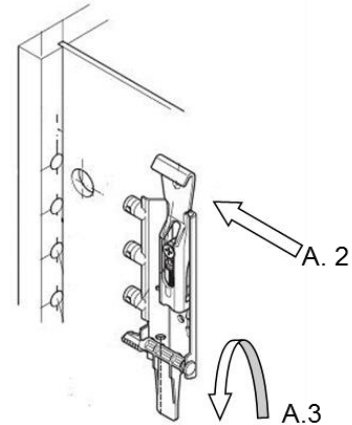
NEVER USE STRONG DETERGENTS OR ABRASIVE CLEANERS AS THESE CAN DAMAGE. WIPE WITH A WET CLOTH AND A MILD LIQUID CLEANER.

A. HANGER BRACKET

A.1 This product is reversible. Choose which way you want the door to open.

A.2 Insert the brackets into the side panel drillings as indicated.

A.3 Turn and close the lever to secure the brackets.



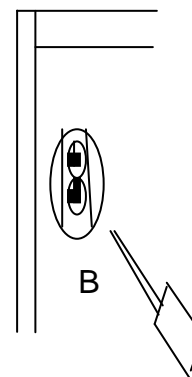
B. FITTING THE CUPBOARD

B.1 Fix the wall brackets supplied at the required height.

B.2 Place the cupboard onto the wall brackets.

B.3 Check for level and tighten the hanger bracket screws through the holes in the back of the cupboard to firmly secure the hanging bracket to the wall bracket.

B.4 Cover all holes with caps supplied.



NOTICE

To fit the handle be sure that the plastic ring is in contact to the mirror panel.

