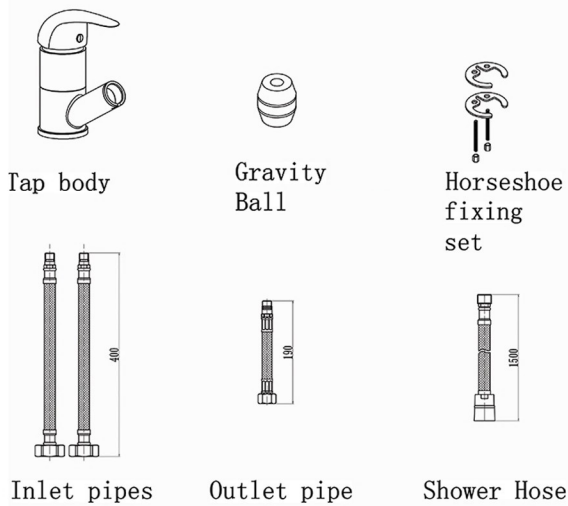
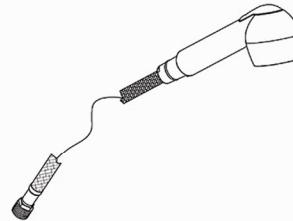


93.0024 Instruction Manual

1. Check all the components

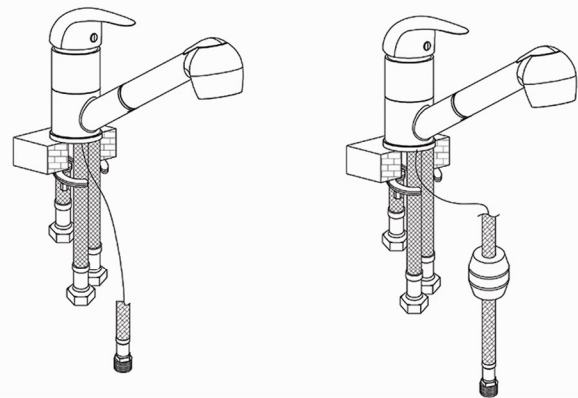
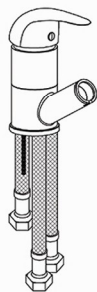


4. Connect the shower hose to the handset.

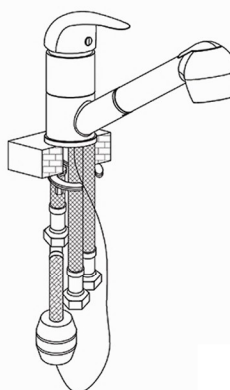
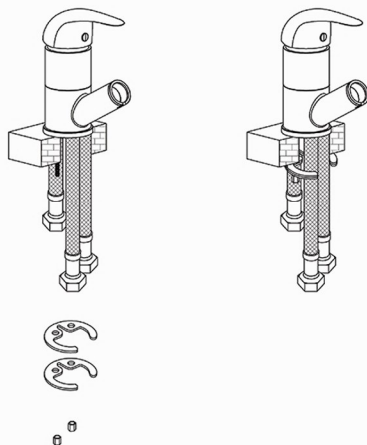


5. Insert the gravity ball through the shower hose. Recommended position: middle of the shower hose.

2. Install the inlet pipes and outlet pipe to the tap



3. Install the tap at the right position of the basin and secure it with horseshoe plates



Eastbrook 

Eastbrook Road, Gloucester GL4 3DB

Technical Helpline : 01452 317890

Mon - Fri / 8am - 5pm

Email : technical@eastbrookco.com