

DATASHEET

Image



General Information

Product:	54.0032
Description:	Angle Traditional TRV with Lockshield 15mm
Website Link:	(Click Here)
Product Type:	Radiator Valve
Brand:	Eastbrook Company
Colour:	Gloss White
Height (mm):	16.5mm
Width (mm):	6.5mm
Length (mm):	14.5mm
Net Weight (kg):	0.75kg
Product Range:	Radiator Valves

Product Specifications

Warranty:	2 Year(s)
Valve Types:	Angled

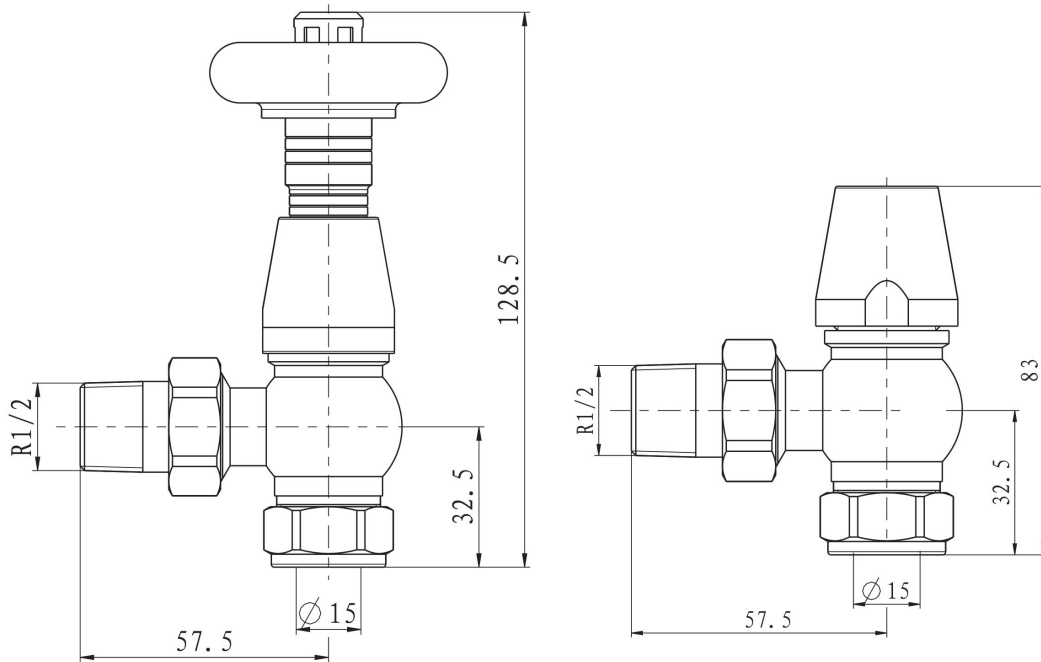
Drawing

15mm. Angled Traditional TRV and Lockshield Valve Technical Drawing

54.0032

54.0033

54.0034



Eastbrook 
Eastbrook Road, Gloucester GL4 3DB
Technical Helpline : 01452 317890
Mon - Fri / 8am - 5pm
Email : technical@eastbrookco.com