

### Vinyl Floor

Plastic Vinyl Waste, available in standard, low profile or pump versions.



### Vinyl Floor

Stainless Steel Vinyl Waste, available in standard, low profile or pump versions.



### Tiled Floor

Plastic Tiling Waste, available in standard, low profile or pump versions.



### Tiled Floor

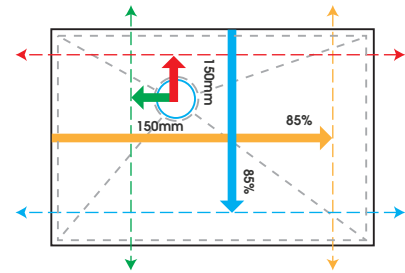
Stainless Steel Tiling Waste, available in standard, low profile or pump versions.



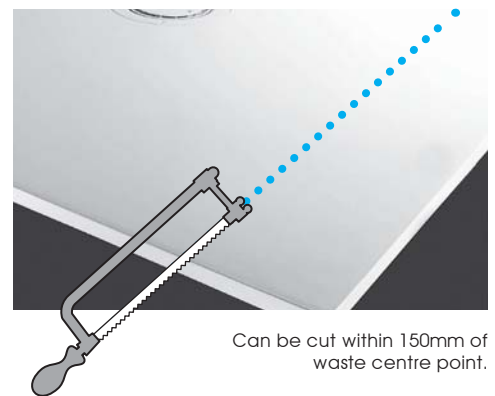
## Wet Room EASA Dek

A Resilient, easy to install floor former or base concept and a Universal Design alternative to building waterproof wet floors with the added benefit of cut to size.

- Only 22mm thick.
- Our unique patented floor former is lightweight for a single installer and focuses on strength and multi-functionality (patent GB2469662A).
- Suitable for vinyl or tiled flooring. Non-handed.
- Can be installed in a corner or an alcove.
- Tiling Upstands can be supplied to provide enhanced waterproofing protection.
- Can be cut if required (cut edges must be fitted against the walls).
- Available in 9 different sizes.
- Weight capacity 380 kg / 60 stone (Bariatric).
- Offset waste location to help avoid joists.
- Wastes for vinyl or tiles are provided to suit the required floor type.
- We recommend fitting waterproof tanking kits for tiled floor installations.



All EASA Deks can be cut in length and width. Please ensure all cut edges are fitted against the walls.



We recommend not to cut more than 85% as the next smaller standard size would then be a better choice. Example: Cutting 85% of the DEK 1050 x 1050 would be 892mm which is slightly less than our standard DEK 900 x 900.

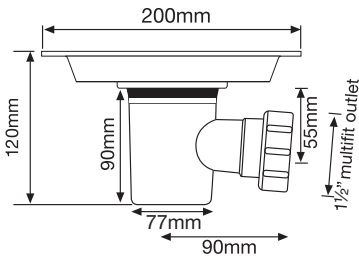
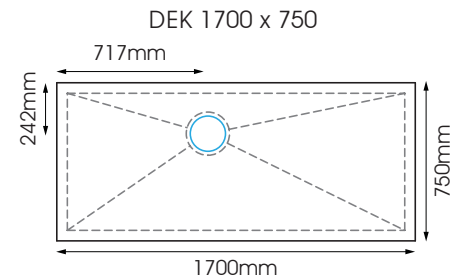
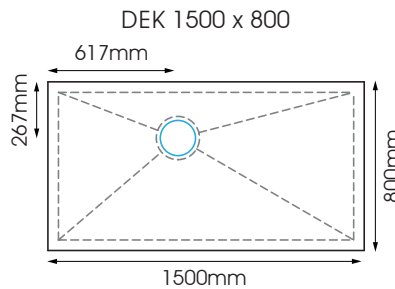
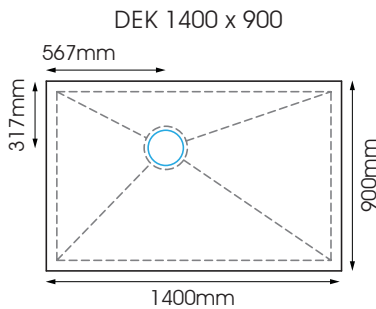
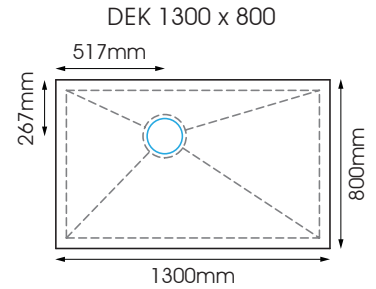
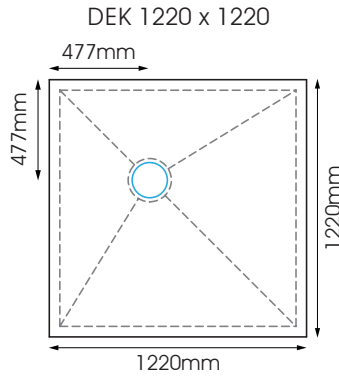
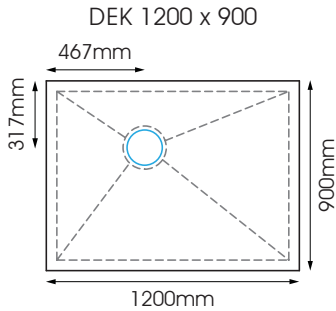
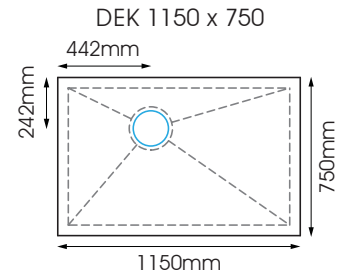
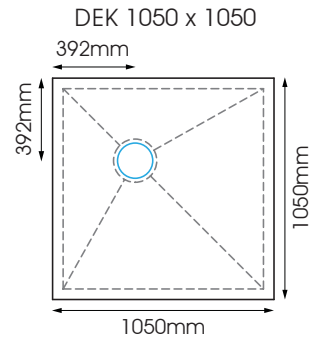
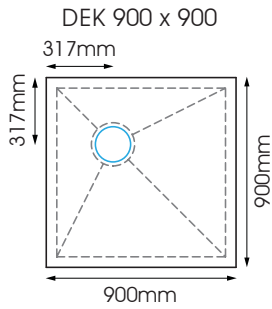
**CE** EU Construction Products Regulation (EU) No 305/2011 (CPR)  
BS EN 14527 : 2016 Shower Trays



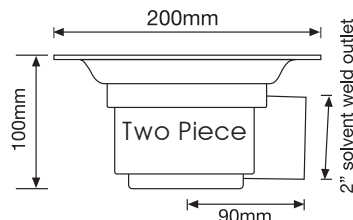
TRAY	RAMPED EDGE	SUITABLE FOR FLOOR TYPES	HANDED	ALCOVE	WEIGHT CAPACITY	CUT TO SIZE
EASA Dek	Barrier Free (0mm)	Wood	No	Yes	380 kg 60 stone	Yes - see table above
		Screed				

PRODUCT CODE	DESCRIPTION (mm)	SIZE (mm)	SHOWER AREA (mm)	WASTE TO SHORT SIDE (mm)	WASTE TO LONG SIDE (mm)	MINIMUM CUT TO SIZE LENGTH (mm)	MINIMUM CUT TO SIZE WIDTH (mm)
DEK900900	DEK 900 x 900	900 x 900	850 x 850	317	317	765	765
DEK105000	DEK 1050 x 1050	1050 x 1050	1000 x 1000	392	392	895	895
DEK115075	DEK 1150 x 750	1150 x 750	1100 x 700	442	242	978	638
DEK120090	DEK 1200 x 900	1200 x 900	1150 x 850	467	317	1020	765
DEK122122	DEK 1220 x 1220	1220 x 1220	1170 x 1170	477	477	1035	1035
DEK130080	DEK 1300 x 800	1300 x 800	1250 x 750	517	267	1105	680
DEK140090	DEK 1400 x 900	1400 x 900	1350 x 850	567	317	1190	765
DEK150080	DEK 1500 x 800	1500 x 800	1450 x 750	617	267	1275	680
DEK170075	DEK 1700 x 750	1700 x 750	1650 x 700	717	242	1445	640

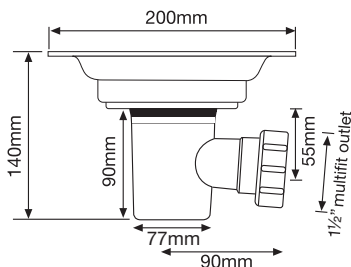
## EASA Dek Characteristics



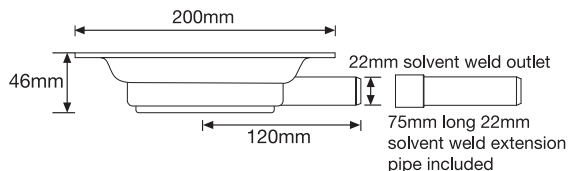
**Plastic Vinyl Waste\***  
 Max. flow rate 24 litres per minute.  
 (19mm water seal trap)



**Low Profile Waste\***  
 Max. flow rate 46 litres per minute.  
 (50mm water seal trap)



**S/Steel Vinyl & All Tiled Floor Waste\***  
 Max. flow rate 24 litres per minute.  
 (19mm water seal trap)



**Pump Waste**  
 Max. flow rate determined by pump.  
 (Untrapped)

\*Removable top section for easy installation / Top access for easy cleaning