

RIM-1000 Quick Start Guide



2U RIM-1000



1U RIM-1000

Thank you for purchasing the Remote Infrastructure Management (RIM-1000) System from Chatsworth Products (CPI). This guide describes how to install and configure your unit.

If you need further assistance, please access the RIM-1000 web page on our website <https://www.chatsworth.com/Remote-Infrastructure-Management-RIM-1000>, email our support staff directly at techsupport@chatsworth.com or call us at +1-800-834-4969.



While every effort has been made to ensure the accuracy of all information, CPI does not accept liability for any errors or omissions and reserves the right to change information and descriptions of listed services and products.

©2022 Chatsworth Products, Inc. All rights reserved. Chatsworth Products, Inc. All rights reserved. Chatsworth Products, Clik-Nut, CPI, CPI Passive Cooling, CUBE-IT, eConnect, Evolution, GlobalFrame, MegaFrame, Motive, QuadraRack, RMR, Saf-T-Grip, Secure Array, SeismicFrame, SlimFrame, TeraFrame and Velocity are federally registered trademarks of Chatsworth Products. EuroFrame, Simply Efficient and ZetaFrame are trademarks of Chatsworth Products. All other trademarks belong to their respective companies. v04/22 MKT-60020-620

1 Preparing for Installation

When connecting the RIM-1000 to the network, have the following information available. If necessary, ask your IT administrator to provide this information, so you can assign it to the RIM-1000.

Basic Communications

- IP Address _____
- Subnet Mask _____
- Default Gateway _____

Email Notifications

- Primary DNS _____
- Secondary DNS _____
- Mail SMTP address _____
(IP address or host name)
- Mail sender address _____
- Mail recipient addresses (up to 8) _____

ESMTP (for e-mail authentication)

- ESMTP user name _____
- ESMTP password _____

2 Accessing the Configuration Menu

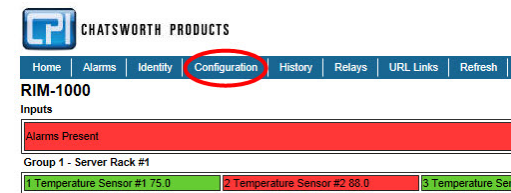
You will select items from the Configuration Menu for all configuration tasks described in this guide.

- 1 Plug the crossover cable (included with the RIM-1000) into the computer that will be used to configure the RIM-1000. Note: This cable is not intended to be connected to a network hub.
- 2 Connect the other end of the crossover cable to the Ethernet port on the back of the RIM-1000. Note: Alternatively, you could use the RIM-1000's EIA-232 interface to access the RIM-1000. Refer to the RIM-1000 User Manual (available at <https://www.chatsworth.com/Remote-Infrastructure-Management-RIM-1000>).
- 3 Write down the computer's current IP address, subnet mask and default gateway. Change these items temporarily so that the computer can communicate with the RIM-1000. RIM-1000 default IP address: 10.0.0.188. RIM-1000 default subnet mask: 255.255.255.0.
- 4 Access the RIM-1000 through a web browser by typing the RIM-1000's default IP address (10.0.0.188) into the location bar and pressing Enter.



Enter the following:
Default User Name: cpi (all lowercase)
Default Password: No default password. Leave this field blank.

- 5 From the top bar, select the Configuration Menu link.



* You will use these items on the Configuration Menu to complete the tasks described in this quick start guide.

Configuration Menu

- Inputs and Relays*
- System*
- Alarm Management
- Trends
- Clock
- Schedules
- Battery
- URL Links (1-5)
- URL Links (6-10)
- Links
- Nest/Egg
- Modem/Phone Number/Pagers
- Keypad/DTMF Access Users
- Internet Protocol*
- User Administration (Web Access)
- Network Statistics
- Icmp Ping
- Email/DNS*
- NetworkTime Protocol
- SNMP/Syslog
- Bacnet
- Com Port1/Modbus/Telnet
- Modbus Slave Units
- Flash Program

3 Configuring Network Communication

IMPORTANT Consult your IT administrator before performing these steps.

IP Configuration

Warning: Changing these parameters will cause the network interface to operate differently, only change parameters if you are sure the changes are correct.

MAC Address: 00:90:5B:FF:45:67

IP Address: 10.0.0.188

Net Mask: 255.255.255.0

Def Route: 10.0.0.1

Http Port: 0 (Default 0 = 80)

TFTP Server Enable: Yes No (udp port 69)

TCP Max Seg Size: 1436 536

PPP Server: 0.0.0.0

PPP Assignment: 0.0.0.0

Use values provided by IT administrator.

RIM-1000 Default Values
IP address: 10.0.0.188
Subnet mask: 255.255.255.0

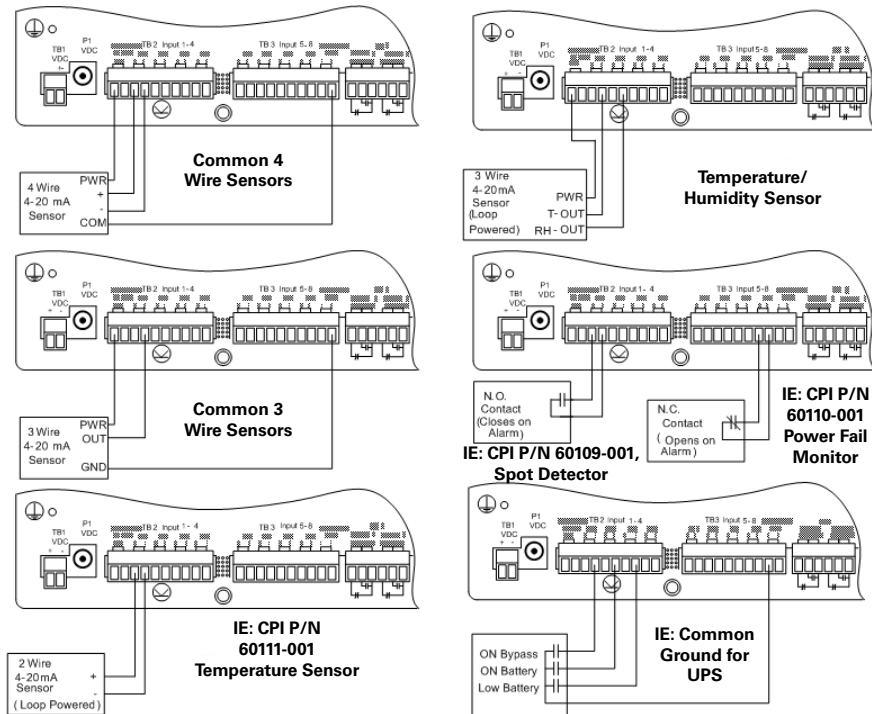
- 1 Enter the values for IP Address, Net Mask (subnet mask) and Def Route (default gateway) provided by your IT administrator. Once you enter the values and click the Submit Changes button, the RIM-1000 saves the changes and reboots. The system status LED on front of the RIM-1000 stops flashing.
- 2 Reset the computer to its original IP address and subnet mask. Note: This step might require assistance from your IT administrator. The computer and the RIM-1000 are now both configured to communicate on the network.
- 3 Connect the computer and the RIM-1000 to the network.
- 4 From the computer's web browser, go to the new IP address of the RIM-1000.
- 5 When prompted, enter the user name and password to verify network access to the RIM-1000 (as you did in step 4 in the previous section). If the login window for the RIM-1000 does not display:
 - A Verify that the cables are firmly attached.
 - B Verify that you entered the correct IP address for the RIM-1000.
 - C Check for activity on the Link and Active LEDs on the front of the RIM-1000 as follows:
 - > If the Link LED is off, the RIM-1000 is not connected to the network. Check the cable connections.
 - > If the Active LED is on solid, too much data is being sent to the RIM-1000 for it to process. Consult your IT administrator.

4 Configuring the Inputs

The eight non-isolated universal inputs are connected to TB2 and TB3. Universal input channels can be individually configured through the RIM-1000 to monitor a 4-20mA signal, a normally open (NO) dry contact relay or a normally closed (NC) dry contact relay.

Making the Physical Connections

The following figure shows examples of input wiring.



Once you have wired the inputs, make note of the following:

- Sensor type (analog or digital) connected to each channel.
- For analog sensors, the high/low values.
- For digital sensors, the non-alarm state - normally open (NO) or normally closed (NC).

Configuring the Channels

Configure the input channels using the Inputs & Relays page of the RIM-1000 web interface. Click on the underlined label for the input you want to configure.

Inputs					
S.Ch (#)	Label	S.Ch (#)	Label	S.Ch (#)	Label
(1)	<u>Input #1</u>	(2)	<u>ANALOG #2</u>	(3)	<u>ANALOG #3</u>
(4)	<u>ANALOG #4</u>	(5)	<u>ANALOG #5</u>	(6)	<u>ANALOG #6</u>
(7)	<u>ANALOG #7</u>	(8)	<u>ANALOG #8</u>	(9)	<u>ANALOG #1.1</u>
(10)	<u>ANALOG #1.2</u>	(11)	<u>ANALOG #1.3</u>	(12)	<u>ANALOG #1.4</u>
(13)	<u>ANALOG #1.5</u>	(14)	<u>ANALOG #1.6</u>	(15)	<u>ANALOG #1.7</u>
(16)	<u>ANALOG #1.8</u>	(17)	<u>ANALOG #1.9</u>	(18)	<u>ANALOG #1.10</u>
(19)	<u>ANALOG #1.11</u>	(20)	<u>ANALOG #1.12</u>	(21)	<u>ANALOG #2.1</u>
(22)	<u>ANALOG #2.2</u>	(23)	<u>ANALOG #2.3</u>	(24)	<u>ANALOG #2.4</u>
(25)	<u>ANALOG #2.5</u>	(26)	<u>ANALOG #2.6</u>	(27)	<u>ANALOG #2.7</u>
(28)	<u>ANALOG #2.8</u>	(29)	<u>ANALOG #2.9</u>	(30)	<u>ANALOG #2.10</u>
(31)	<u>ANALOG #2.11</u>	(32)	<u>ANALOG #2.12</u>	(33)	<u>ANALOG #2.13</u>
(34)	<u>ANALOG #2.14</u>	(35)	<u>ANALOG #2.15</u>	(36)	<u>ANALOG #2.16</u>
(37)	<u>ANALOG #2.17</u>	(38)	<u>ANALOG #2.18</u>	(39)	<u>ANALOG #2.19</u>
(40)	<u>ANALOG #2.20</u>	(41)	<u>ANALOG #2.21</u>	(42)	<u>ANALOG #2.22</u>
(43)	<u>ANALOG #2.23</u>	(44)	<u>ANALOG #2.24</u>	(45)	<u>Internal Temper</u>
(46)	<u>Internal Humidi</u>	(47)	<u>Internal</u>	(48)	<u>Internal</u>

Relays					
S.Ch (#)	Label	S.Ch (#)	Label	S.Ch (#)	Label
(1)	<u>RELAY #1</u>	(2)	<u>RELAY #2</u>	(3)	<u>RELAY #1.1</u>
(4)	<u>RELAY #1.2</u>	(5)	<u>RELAY #1.3</u>	(6)	<u>RELAY #1.4</u>
(7)	<u>RELAY #1.5</u>	(8)	<u>RELAY #1.6</u>	(9)	<u>RELAY #1.7</u>
(10)	<u>RELAY #1.8</u>	(11)	<u>RELAY #1.9</u>	(12)	<u>RELAY #1.10</u>

5 Configuring Inputs

- A Input can be Analog 4-20 mA or Digital NO or NC.
- B Applies only to analog inputs. Gain and offset determine the correct value for the RIM-1000.
- C Applies only to analog inputs. Hysteresis designates the amount an input must change before returning to normal.
- D Applies only to analog inputs. Displays units on main menu, such as Deg F, Deg C, %RH, Amps, Volts, psi, etc.
- E RIM-1000 current raw reading and calculated value.
- F Applies only to Analog inputs. High and Low alarm thresholds of range being monitored.
- G This label is displayed on the RIM-1000 menu and the configuration menu.
- H Relay configuration link.

6 Configuring System Information

- A An alphanumeric name that you would recognize. This name appears on the Main Menu and is included as part of email and pager notifications.
- B An integer greater than 5.
- C Consult your PDA manual for the correct width.
- D The number of points to be monitored. Maximum 104.

7 Configuring Email Notification

The RIM-1000 sends one email message per alarm instance to a maximum of eight email recipients.

- A Refer to information from IT administrator.
- B Text that is easily recognized as notification from the RIM-1000.
- C Up to eight email recipients.
- D For ESMTP email authentication. Refer to information from IT administrator.

8 Completing the Installation

Once you have completed the tasks in this quick start guide, the RIM-1000 can communicate over the network and monitor the inputs you configured.

Consult the RIM-1000 User Manual at <https://www.chatsworth.com/Remote-Infrastructure-Management-RIM-1000> for information about completing these additional tasks:

- System clock settings
- Network time protocol settings
- SNMP/Syslog settings
- Modbus/Telnet settings
- BACnet settings
- User administration
- URL links to IP-addressable devices
- Nest/Egg configuration (for additional RIM-1000 appliances that will be monitored by a central RIM-1000 appliance)
- Trends
- Alarm management



While every effort has been made to ensure the accuracy of all information, CPI does not accept liability for any errors or omissions and reserves the right to change information and descriptions of listed services and products.

©2022 Chatsworth Products, Inc. All rights reserved. Chatsworth Products, Inc. All rights reserved. Chatsworth Products, CliK-Nut, CPI, CPI Passive Cooling, CUBE-IT, eConnect, Evolution, GlobalFrame, MegaFrame, Motive, QuadraRack, RMR, Saf-T-Grip, Secure Array, SeismicFrame, SlimFrame, TeraFrame and Velocity are federally registered trademarks of Chatsworth Products. EuroFrame, Simply Efficient and ZetaFrame are trademarks of Chatsworth Products. All other trademarks belong to their respective companies.. v04/22 MKT-60020-620