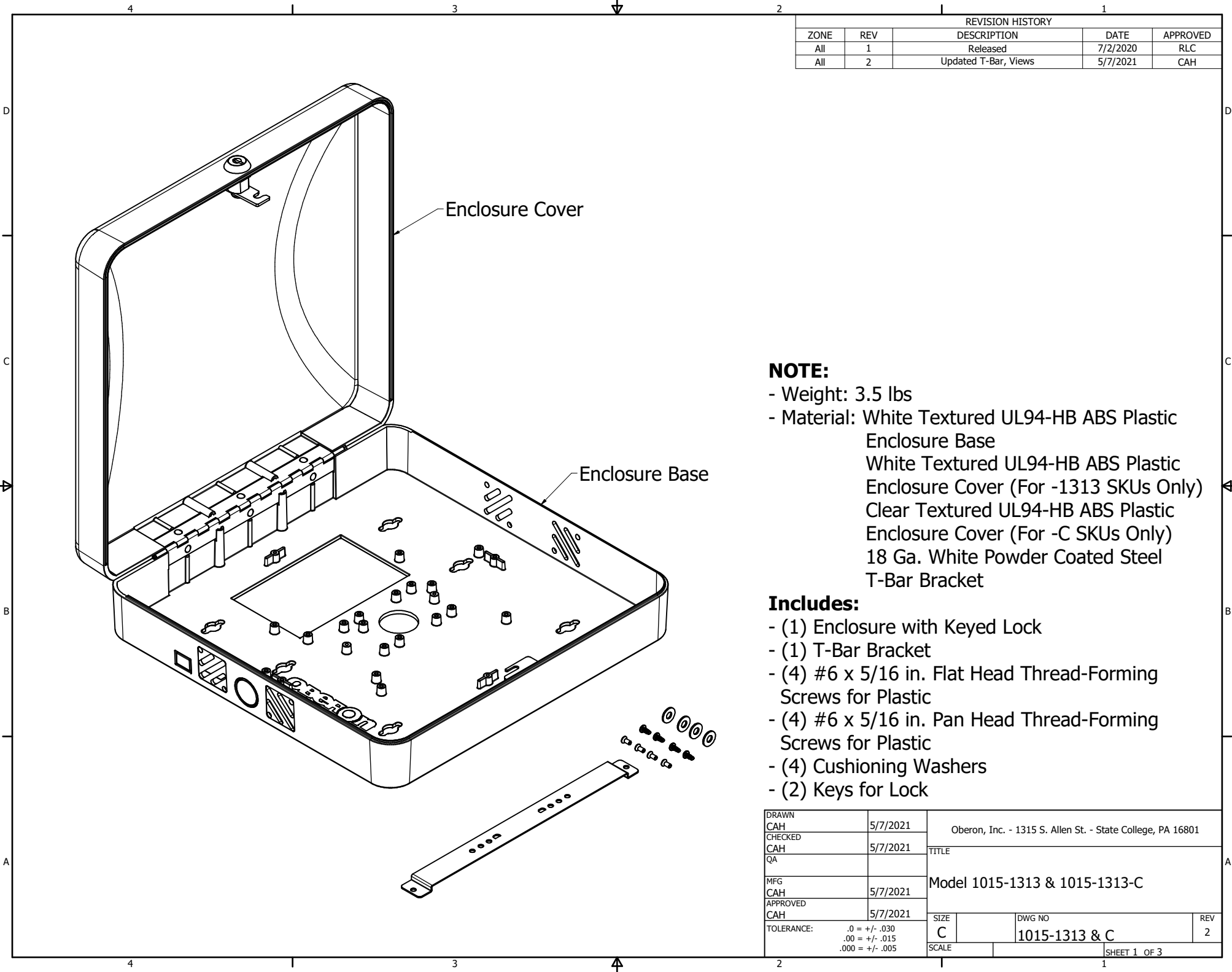


REVISION HISTORY				
ZONE	REV	DESCRIPTION	DATE	APPROVED
All	1	Released	7/2/2020	RLC
All	2	Updated T-Bar, Views	5/7/2021	CAH



Enclosure Cover

Enclosure Base

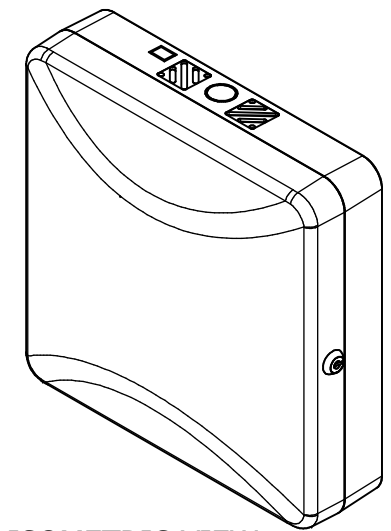
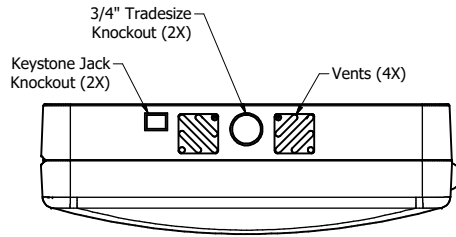
NOTE:

- Weight: 3.5 lbs
- Material: White Textured UL94-HB ABS Plastic
- Enclosure Base
- White Textured UL94-HB ABS Plastic
- Enclosure Cover (For -1313 SKUs Only)
- Clear Textured UL94-HB ABS Plastic
- Enclosure Cover (For -C SKUs Only)
- 18 Ga. White Powder Coated Steel
- T-Bar Bracket

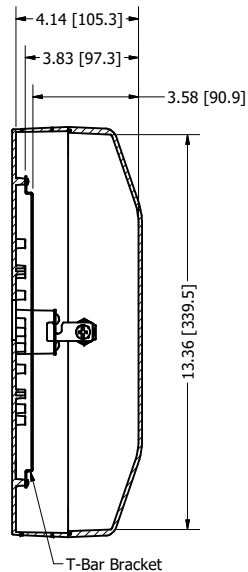
Includes:

- (1) Enclosure with Keyed Lock
- (1) T-Bar Bracket
- (4) #6 x 5/16 in. Flat Head Thread-Forming Screws for Plastic
- (4) #6 x 5/16 in. Pan Head Thread-Forming Screws for Plastic
- (4) Cushioning Washers
- (2) Keys for Lock

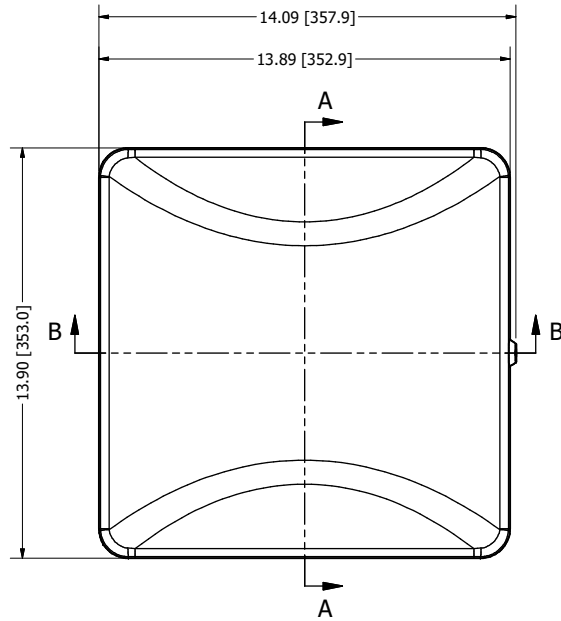
DRAWN	CAH	5/7/2021	Oberon, Inc. - 1315 S. Allen St. - State College, PA 16801		
CHECKED	CAH	5/7/2021	TITLE		
MFG	CAH	5/7/2021	Model 1015-1313 & 1015-1313-C		
APPROVED	CAH	5/7/2021	SIZE	DWG NO	REV
TOLERANCE:			C	1015-1313 & C	2
.0 = +/- .030			SCALE	SHEET 1 OF 3	
.00 = +/- .015					
.000 = +/- .005					



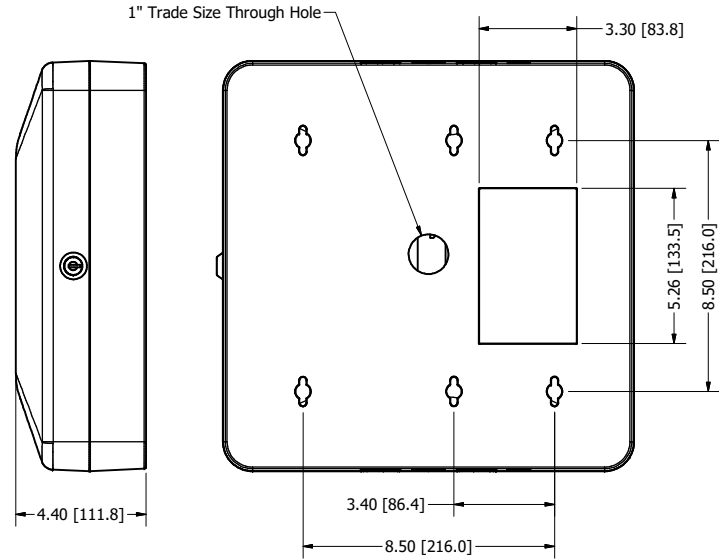
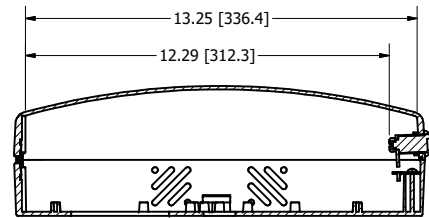
ISOMETRIC VIEW



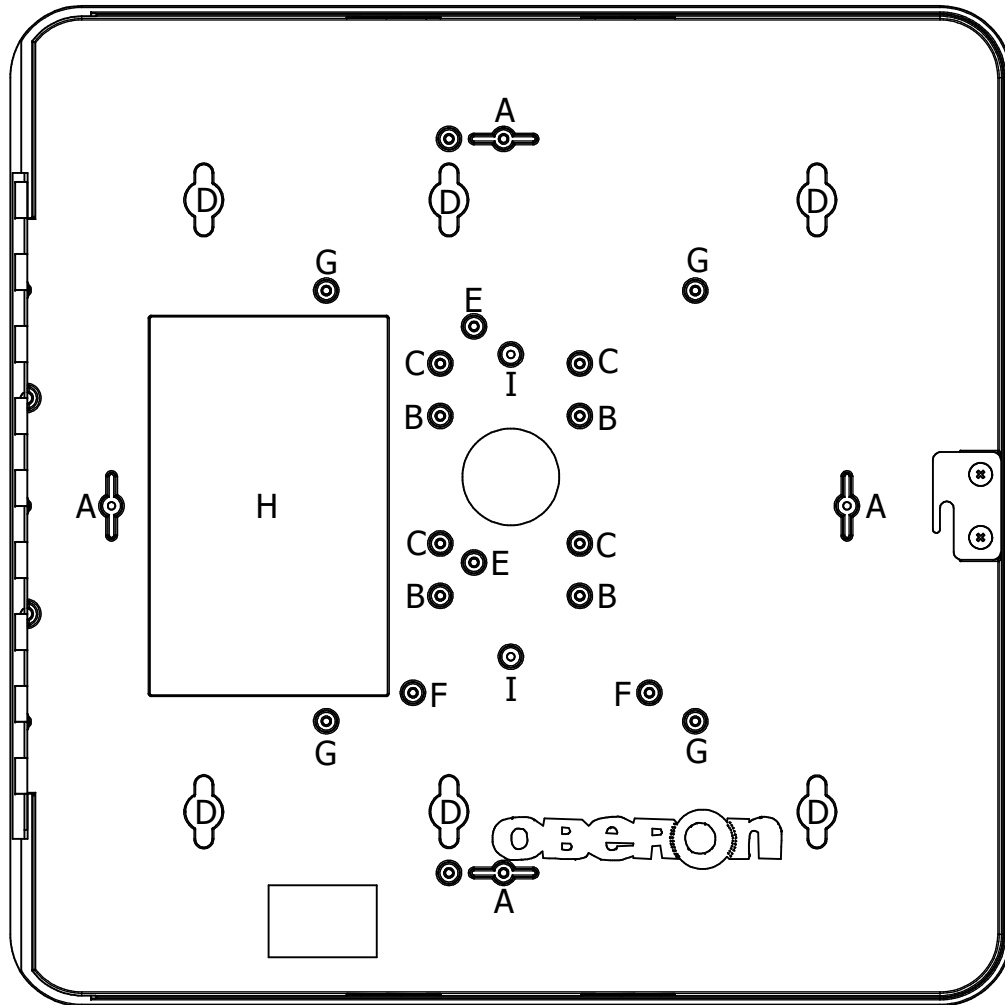
SECTION A-A
SCALE 1 / 3.25



SECTION B-B
SCALE 1 / 3.25



DRAWN CAH	5/7/2021	Oberon, Inc. - 1315 S. Allen St. - State College, PA 16801		
CHECKED CAH	5/7/2021	TITLE		
QA		Model 1015-1313 & 1015-1313-C		
MFG CAH	5/7/2021	SIZE C	DWG NO 1015-1313 & C	REV 2
APPROVED CAH	5/7/2021	SCALE	SHEET 2 OF 3	
TOLERANCE:				
.0 = +/- .030				
.00 = +/- .015				
.000 = +/- .005				



Mounting Legend

- A - Oberon T-Bar
- B - Cisco AIR-AP-BRACKET-1 or -2
- C - Cisco AIR-AP-BRACKET-2 with Cisco 4800 Series APs
- D - Wall Hanging Keyhole Slots
- E - Single Gang Outlet Box Pattern for Wall Mounted APs
- F - Single Gang Outlet Box Pattern for Meraki MA-MNT-MR Mounting Plates
- G - Mounting Features for 39-1015-PLATE Accessory Mounting Plate
- H - Telecommunications Outlet Cutout
- I - Meraki MR44, MR45, MR46, MR55, MR56

DRAWN CAH	5/7/2021	Oberon, Inc. - 1315 S. Allen St. - State College, PA 16801		
CHECKED CAH	5/7/2021	TITLE		
QA		Model 1015-1313 & 1015-1313-C		
MFG CAH	5/7/2021	SIZE C	DWG NO 1015-1313 & C	REV 2
APPROVED CAH	5/7/2021	SCALE	SHEET 3 OF 3	
TOLERANCE:				
.0 = +/- .030				
.00 = +/- .015				
.000 = +/- .005				