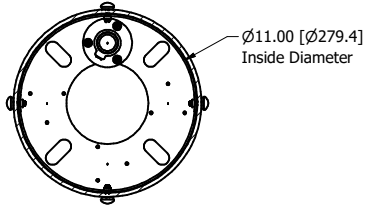
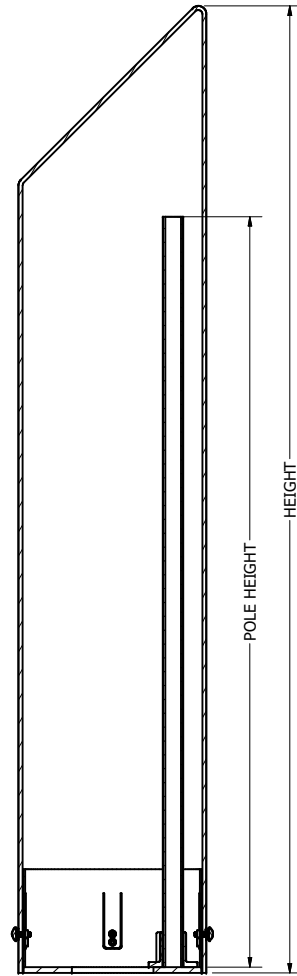
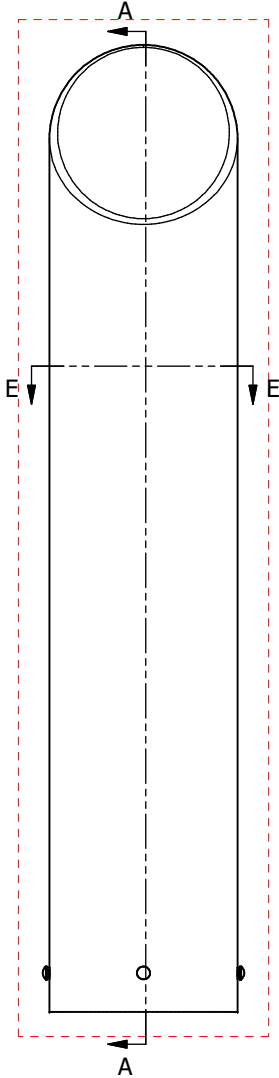


3032-00-[COLOR]-[HEIGHT]



SECTION E-E
SCALE .17



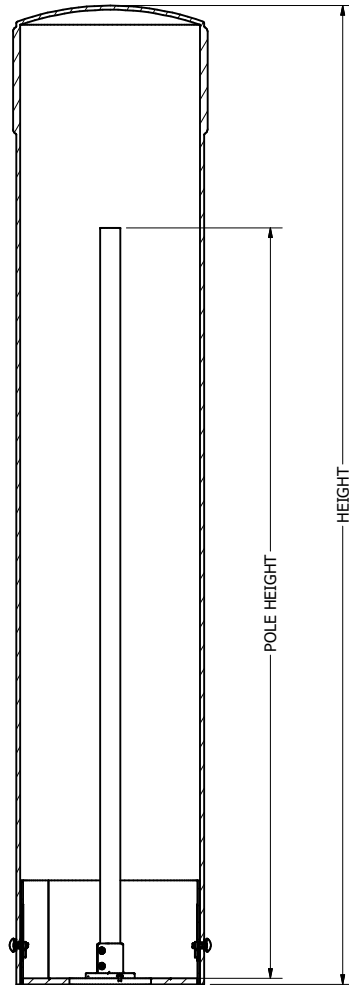
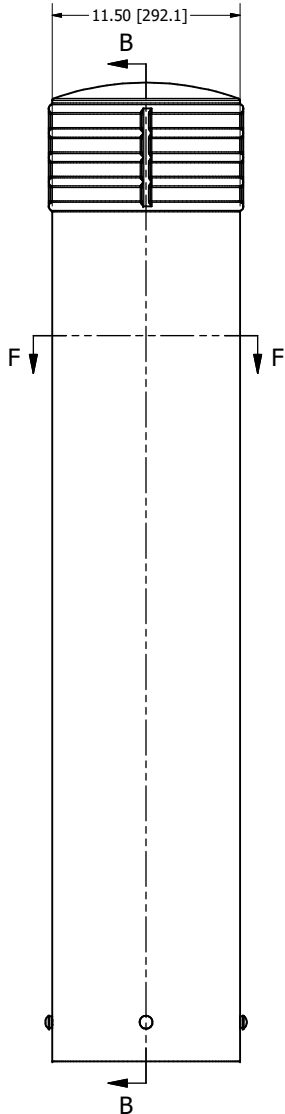
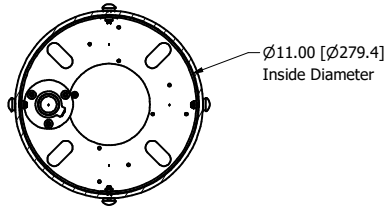
SECTION A-A
SCALE .17

Order Guide			
SKU	COLOR	PANTONE	POLE HEIGHT (IN., MM)
3032-00-WH-XX	WHITE	663C	"XX" - 10" [256] ***
3032-00-LTGY-XX	LIGHT GRAY	402C	"XX" - 10" [256] ***
3032-00-GY-XX	GRAY	11C	"XX" - 10" [256] ***
3032-00-BK-XX	BLACK	6C	"XX" - 10" [256] ***
3032-00-BN-XX	BROWN	440C	"XX" - 10" [256] ***
3032-00-URBZ-XX	BRONZE	2336C	"XX" - 10" [256] ***
3032-00-RD-XX	RED	187C	"XX" - 10" [256] ***
3032-00-OR-XX	ORANGE	173C	"XX" - 10" [256] ***
3032-00-YL-XX	YELLOW	012C	"XX" - 10" [256] ***
3032-00-FGN-XX	FOREST GREEN	343C	"XX" - 10" [256] ***
3032-00-LTBL-XX	LIGHT BLUE	285C	"XX" - 10" [256] ***
3032-00-BL-XX	BLUE	2736C	"XX" - 10" [256] ***
3032-00-DKGNT-XX	DARK GRANITE	*	"XX" - 10" [256] ***
3032-00-LTGNT-XX	LIGHT GRANITE	*	"XX" - 10" [256] ***
3032-00-CC-XX	CUSTOM COLOR	**	"XX" - 10" [256] ***

AVAILABLE IN CUSTOM COLORS AND CUSTOM HEIGHTS
 * - Blend of multiple colors
 ** - Minimum purchase requirements may apply
 *** - "XX" equals specified bollard height, pole height equals "XX" minus 14"

DRAWN	8/24/2022	Oberon, Inc. - 1315 S. Allen St. - State College, PA 16801	
CHECKED	8/24/2022	TITLE	
RLC	8/24/2022	3032 Series	
QA			
MFG	8/24/2022	SIZE	DWG NO
RLC	8/24/2022	C	3032 Series
APPROVED	8/24/2022	SCALE	REV
RLC	8/24/2022		9
TOLERANCE:	.0 = +/- .030 .00 = +/- .015 .000 = +/- .005	SHEET 1 OF 4	

3032-LH-[COLOR]-[HEIGHT]



SECTION B-B
SCALE .17: 1

Order Guide			
SKU	COLOR	PANTONE	POLE HEIGHT (IN., MM)
3032-LH-WH-XX	WHITE	663C	"XX" - 4" [256] ***
3032-LH-LTGY-XX	LIGHT GRAY	402C	"XX" - 4" [256] ***
3032-LH-GY-XX	GRAY	11C	"XX" - 4" [256] ***
3032-LH-BK-XX	BLACK	6C	"XX" - 4" [256] ***
3032-LH-BN-XX	BROWN	440C	"XX" - 4" [256] ***
3032-LH-URBZ-XX	BRONZE	2336	"XX" - 4" [256] ***
3032-LH-RD-XX	RED	187C	"XX" - 4" [256] ***
3032-LH-OR-XX	ORANGE	173C	"XX" - 4" [256] ***
3032-LH-YL-XX	YELLOW	012C	"XX" - 4" [256] ***
3032-LH-FGN-XX	FOREST GREEN	343C	"XX" - 4" [256] ***
3032-LH-LTBL-XX	LIGHT BLUE	285C	"XX" - 4" [256] ***
3032-LH-BL-XX	BLUE	2736C	"XX" - 4" [256] ***
3032-LH-DKGNT-XX	DARK GRANITE	*	"XX" - 4" [256] ***
3032-LH-LTGNT-XX	LIGHT GRANITE	*	"XX" - 4" [256] ***
3032-LH-CC-XX	CUSTOM COLOR	**	"XX" - 4" [256] ***

AVAILABLE IN CUSTOM COLORS AND CUSTOM HEIGHTS

* - Blend of multiple colors

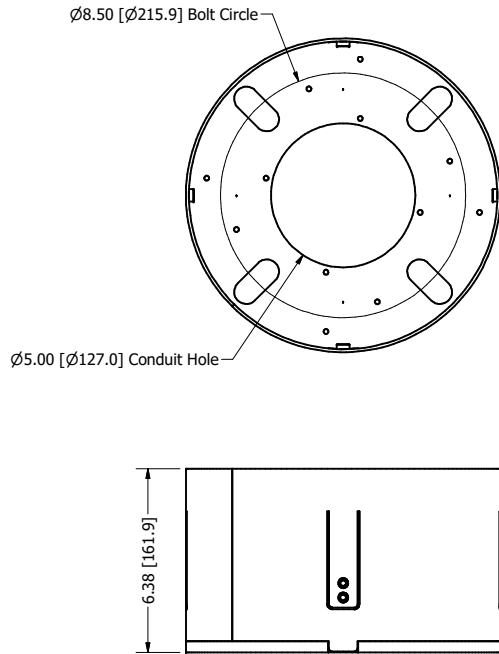
** - Minimum purchase requirements may apply

*** - "XX" equals specified bollard height, pole height equals "XX" minus 14"

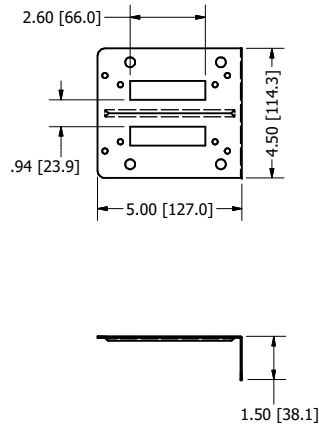
DRAWN	8/24/2022	Oberon, Inc. - 1315 S. Allen St. - State College, PA 16801		
CHECKED	8/24/2022	TITLE		
QA		3032 Series		
MFG	8/24/2022	SIZE	DWG NO	REV
APPROVED	8/24/2022	C	3032 Series	9
TOLERANCE:	.0 = +/- .030 .00 = +/- .015 .000 = +/- .005	SCALE	SHEET 2 OF 4	

Anchor Base And Brackets

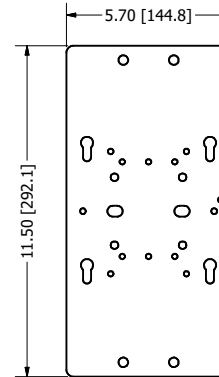
Anchor Base



Right Angle Bracket



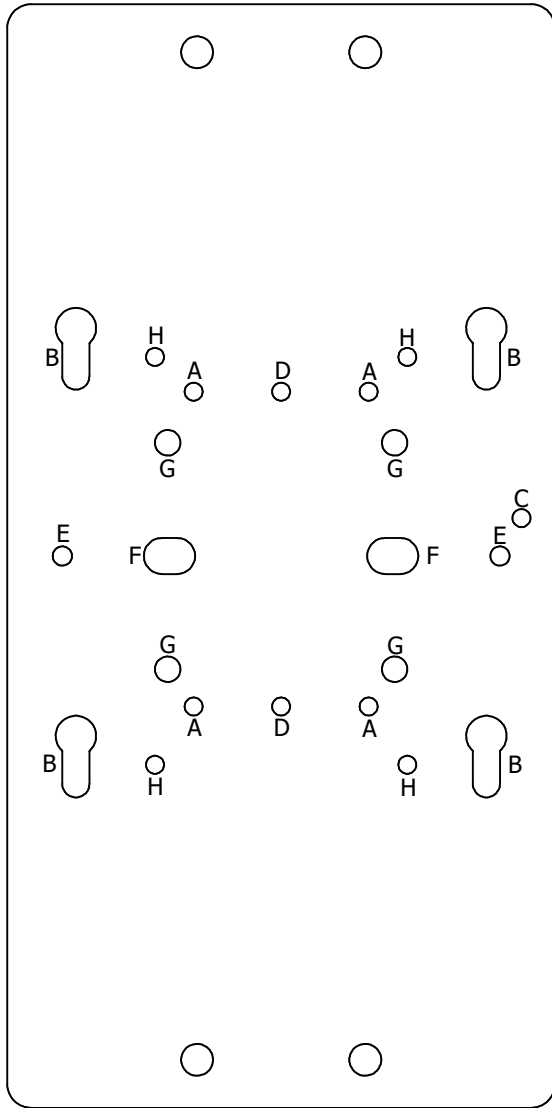
Cisco Mounting Bracket



INCLUDES:

- (1) Polyethylene Beveled Bollard
- (1) WiFi Decal
- (1) 1.25" DIA Equipment Pole
- (1) 1.25" DIA Pole Fitting
- (1) Cisco Mounting Plate
- (1) Right Angle Bracket
- (1) 5/32" Hex Pin in Bit
- (2) 5/16"-18 Thread, 1-7/16" ID U-Bolt
- (4) 1/4"-20 x 1/4" Pan Head Screw
- (3) 10-32 x 7/16" Flat Head Screw
- (4) 1/4"-20 x 3/4" Pin in Hex Screw
- (1) Snap-on Round Cap for 1/4" Screw
- (1) Installation Instruction

DRAWN	RLC	8/24/2022	Oberon, Inc. - 1315 S. Allen St. - State College, PA 16801		
CHECKED	RLC	8/24/2022	TITLE		
QA	QA		3032 Series		
MFG	RLC	8/24/2022	SIZE	DWG NO	REV
APPROVED	RLC	8/24/2022	C	3032 Series	9
TOLERANCE:	.0 = +/- .030		SCALE	SHEET 3 OF 4	
	.00 = +/- .015				
	.000 = +/- .005				



MOUNTING HOLE LEGEND

- A: Cisco AIR-BRACKET-2
- B: Cisco Mounting Feet Direct Attach
- C: Cisco Locking Screw
- D: Single Gang Mounting Spacing
- E: Aruba 5XX Series Direct Mount
- F: Cisco 9124AXI Direct Mount
- G: Cisco 1532 & 1562 Direct Mount

DRAWN	RLC	8/24/2022	Oberon, Inc. - 1315 S. Allen St. - State College, PA 16801		
CHECKED	RLC	8/24/2022	TITLE		
QA			3032 Series		
MFG	RLC	8/24/2022	SIZE	DWG NO	REV
APPROVED	RLC	8/24/2022	C	3032 Series	9
TOLERANCE:	.0 = +/- .030		SCALE	SHEET 4 OF 4	
	.00 = +/- .015				
	.000 = +/- .005				