

Material: Gray Textured UL94-V0 Polycarbonate Enclosure Base
 Gray Textured UL94-V0 Polycarbonate Enclosure Cover (For -00 SKUs Only)
 Clear Textured UL94-V0 Polycarbonate Enclosure Cover (For -C SKUs Only)
 18 Ga. White Powder Coated Steel T-Bar Bracket

Model 1020-00 & C Includes:

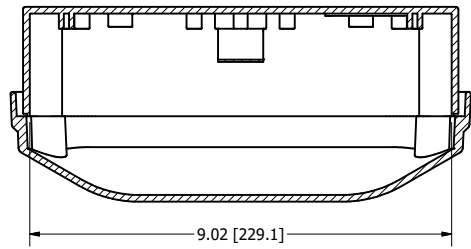
- (1) Enclosure
- (1) T-Bar Bracket
- (4) M4 x 20 mm Captive Phillips Lid Screws
- (4) M4 x 20 mm Captive Torx Lid Screws
- (4) #6 x 5/16 in. Pan Head Thread-Forming Screws for Plastic
- (4) #6 x 5/16 in. Flat Head Thread-Forming Screws for Plastic
- (4) Cushioning Washers

Model 1020-12125 Includes:

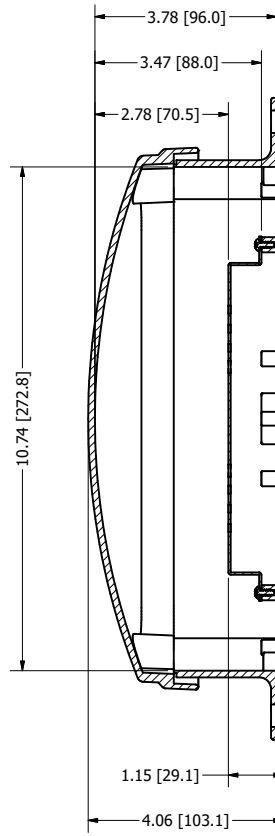
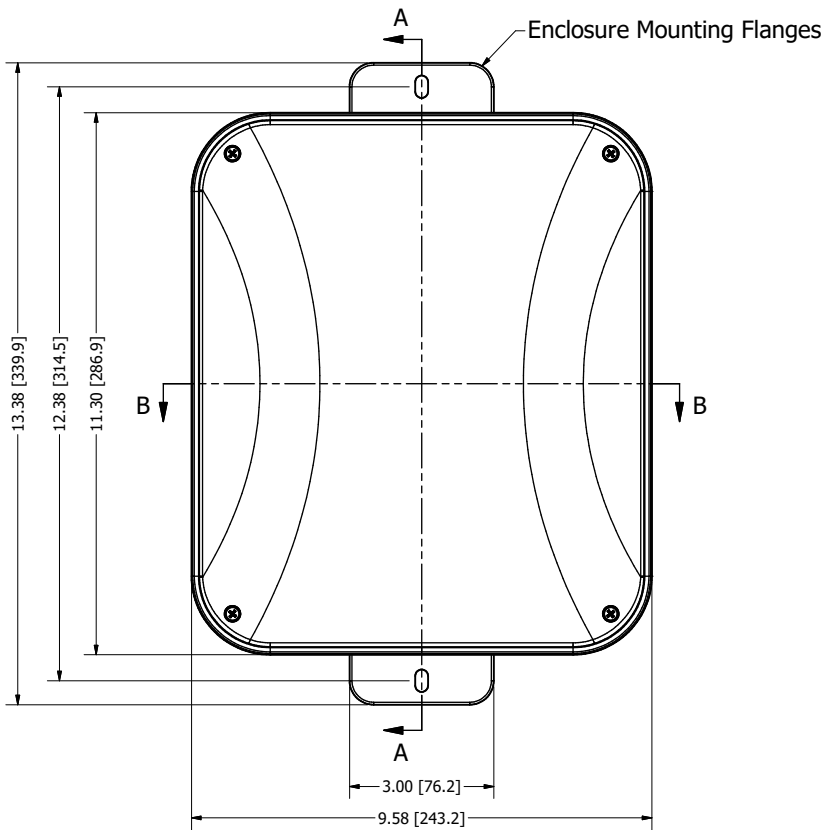
- (1) Enclosure
- (1) T-Bar Bracket
- (4) M4 x 20 mm Captive Phillips Lid Screws
- (4) M4 x 20 mm Captive Torx Lid Screws
- (4) #6 x 5/16 in. Pan Head Thread-Forming Screws for Plastic
- (4) #6 x 5/16 in. Flat Head Thread-Forming Screws for Plastic
- (4) Cushioning Washers

oberonwireless.com
 sales@oberonwireless.com
 877-867-2312

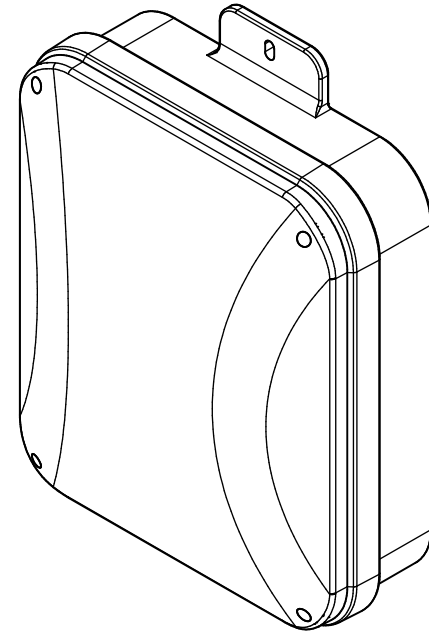
DRAWN CAH	3/17/2022	Oberon, Inc. - 1315 S. Allen St. - State College, PA 16801		
CHECKED JKO	3/17/2024	TITLE		
QA		Model 1020-XX		
MFG CAH	3/17/2022	SIZE C	DWG NO Model1020-XX_Customer_Print	REV
APPROVED CAH	3/17/2022	SCALE	SHEET 1 OF 5	
TOLERANCE:		.0 = +/- .030 .00 = +/- .015 .000 = +/- .005		



SECTION B-B
SCALE 1 / 2

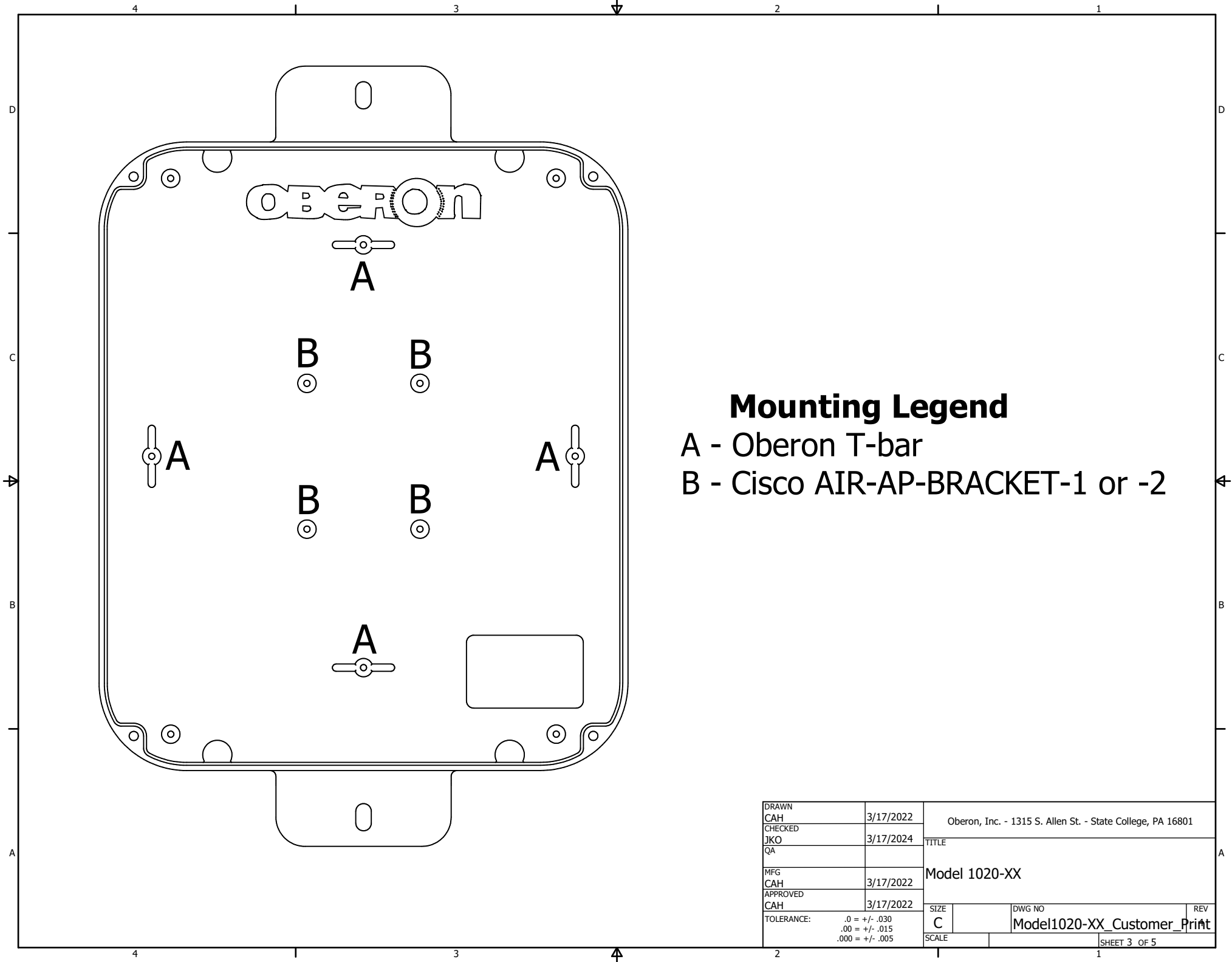


SECTION A-A
SCALE 1 / 2



1020-00 and C

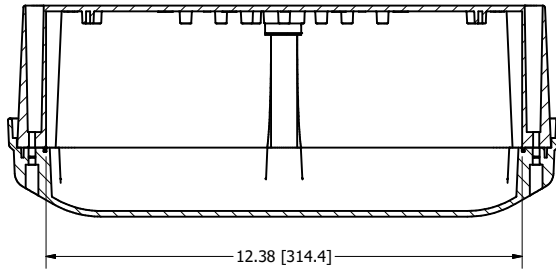
DRAWN CAH	3/17/2022	Oberon, Inc. - 1315 S. Allen St. - State College, PA 16801		
CHECKED JKO	3/17/2024	TITLE		
QA		Model 1020-XX		
MFG CAH	3/17/2022	SIZE C	DWG NO Model1020-XX_Customer_Print	REV
APPROVED CAH	3/17/2022	SCALE		
TOLERANCE:		.0 = +/- .030		
		.00 = +/- .015		
		.000 = +/- .005		
			SHEET 2 OF 5	



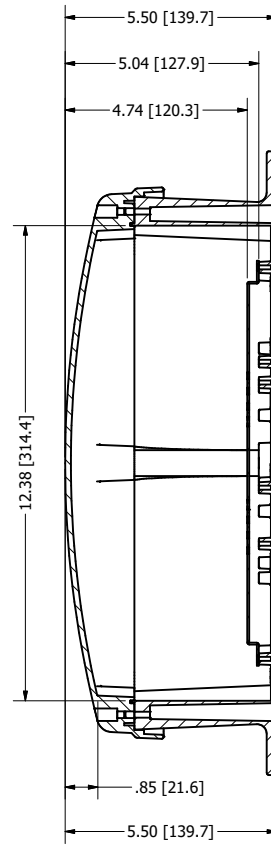
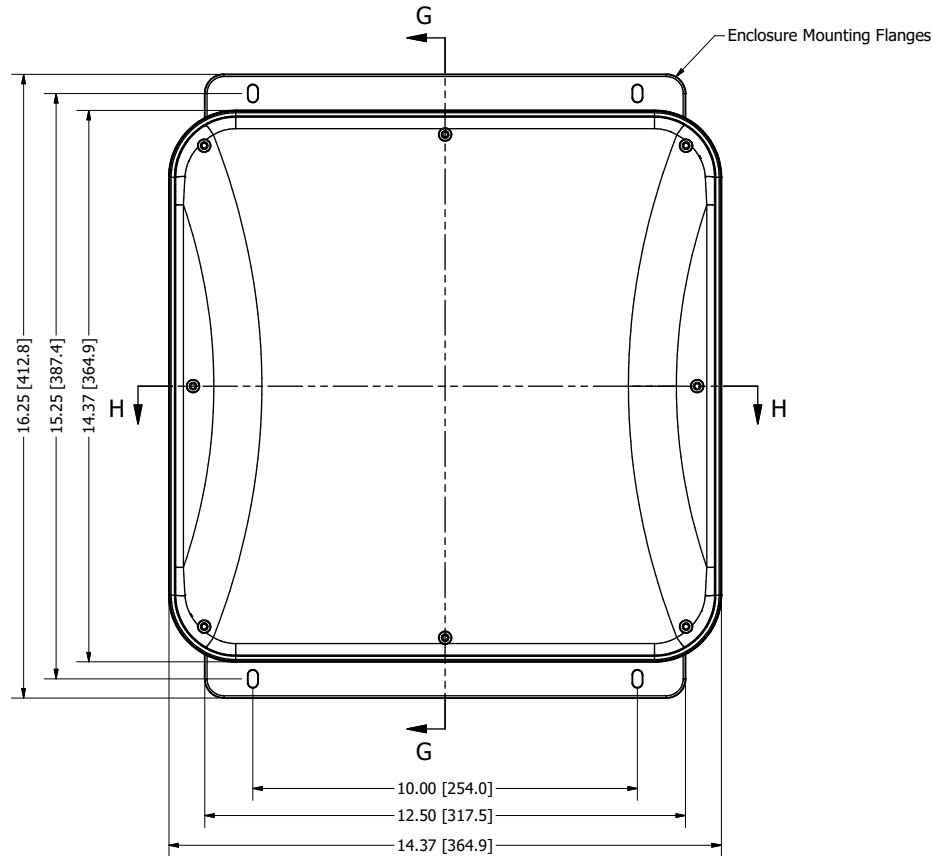
Mounting Legend

- A - Oberon T-bar
- B - Cisco AIR-AP-BRACKET-1 or -2

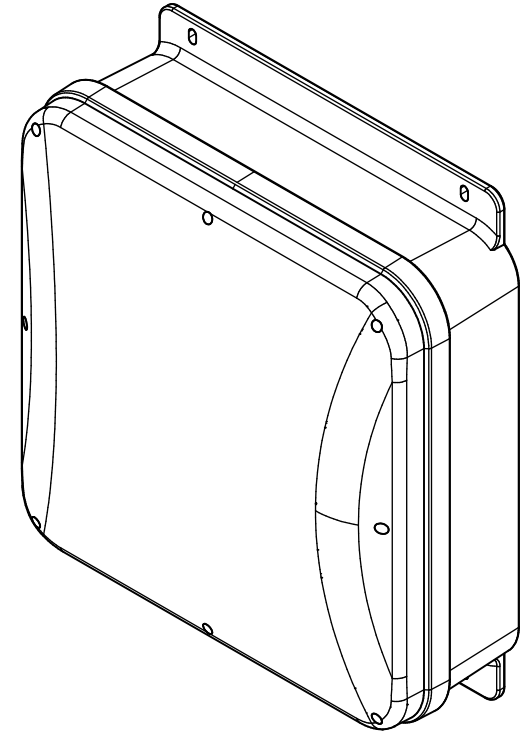
DRAWN CAH	3/17/2022	Oberon, Inc. - 1315 S. Allen St. - State College, PA 16801		
CHECKED JKO	3/17/2024	TITLE		
QA		Model 1020-XX		
MFG CAH	3/17/2022	SIZE C	DWG NO	REV
APPROVED CAH	3/17/2022	SCALE	Model1020-XX_Customer_Print	
TOLERANCE: .0 = +/- .030 .00 = +/- .015 .000 = +/- .005		SHEET 3 OF 5		



SECTION H-H
SCALE 1 / 2.5



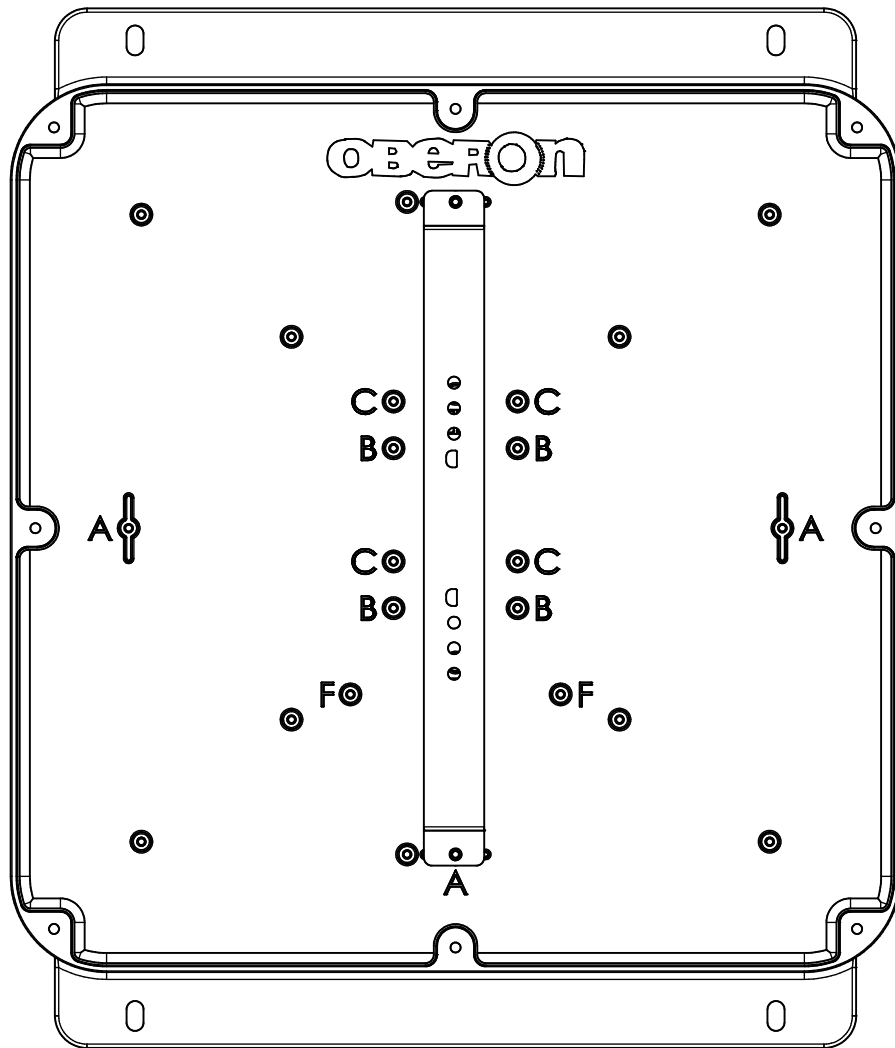
SECTION G-G
SCALE 1 / 2.5



1020-12125

Oberon, Inc. - 1315 S. Allen St. - State College, PA 16801

TITLE			
Model 1020-XX			
SIZE	DWG NO	DATE	
C	Model1020-XX_Customer	17/11/11	
SCALE	SHEET 4 OF 5		



Mounting Legend

- A - Oberon T-Bar
- B - Cisco AIR-AP Bracket-1 or -2
- C - Cisco AIR-AP Bracket-2 with Cisco 4800 Series APs
- E - Single Gang Outlet Box Pattern for Wall Mounted APs
- F - Single Gang Outlet Box Pattern for Meraki MA-MNT-MR Mounting Plates
- I - Meraki MR44, MR45, MR46, MR55, MR56

Oberon, Inc. - 1315 S. Allen St. - State College, PA 16801

TITLE			
Model 1020-XX			
SIZE	DWG NO	DATE	
C	Model1020-XX_Customer	1/17/11	
SCALE	SHEET 5 OF 5		