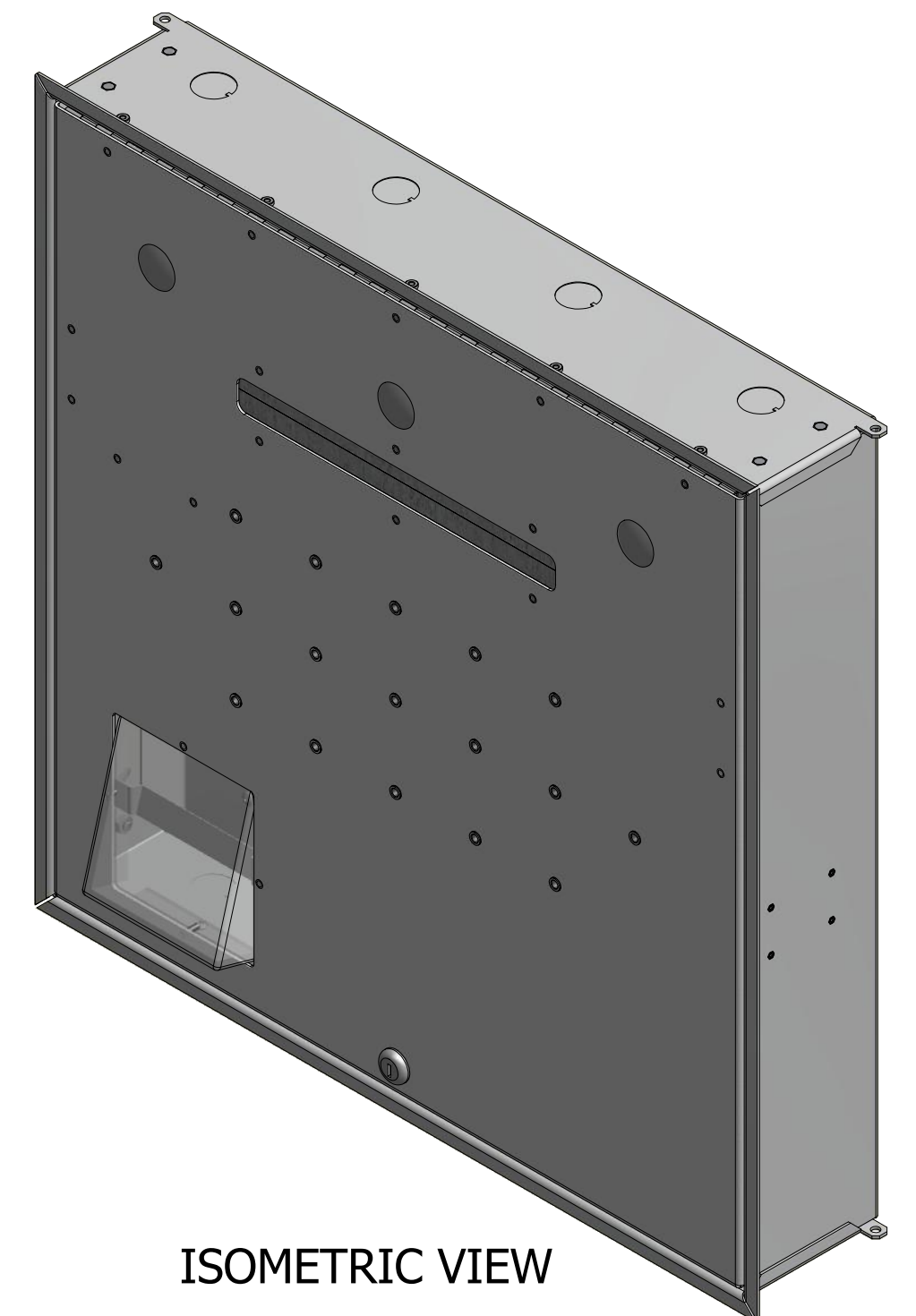
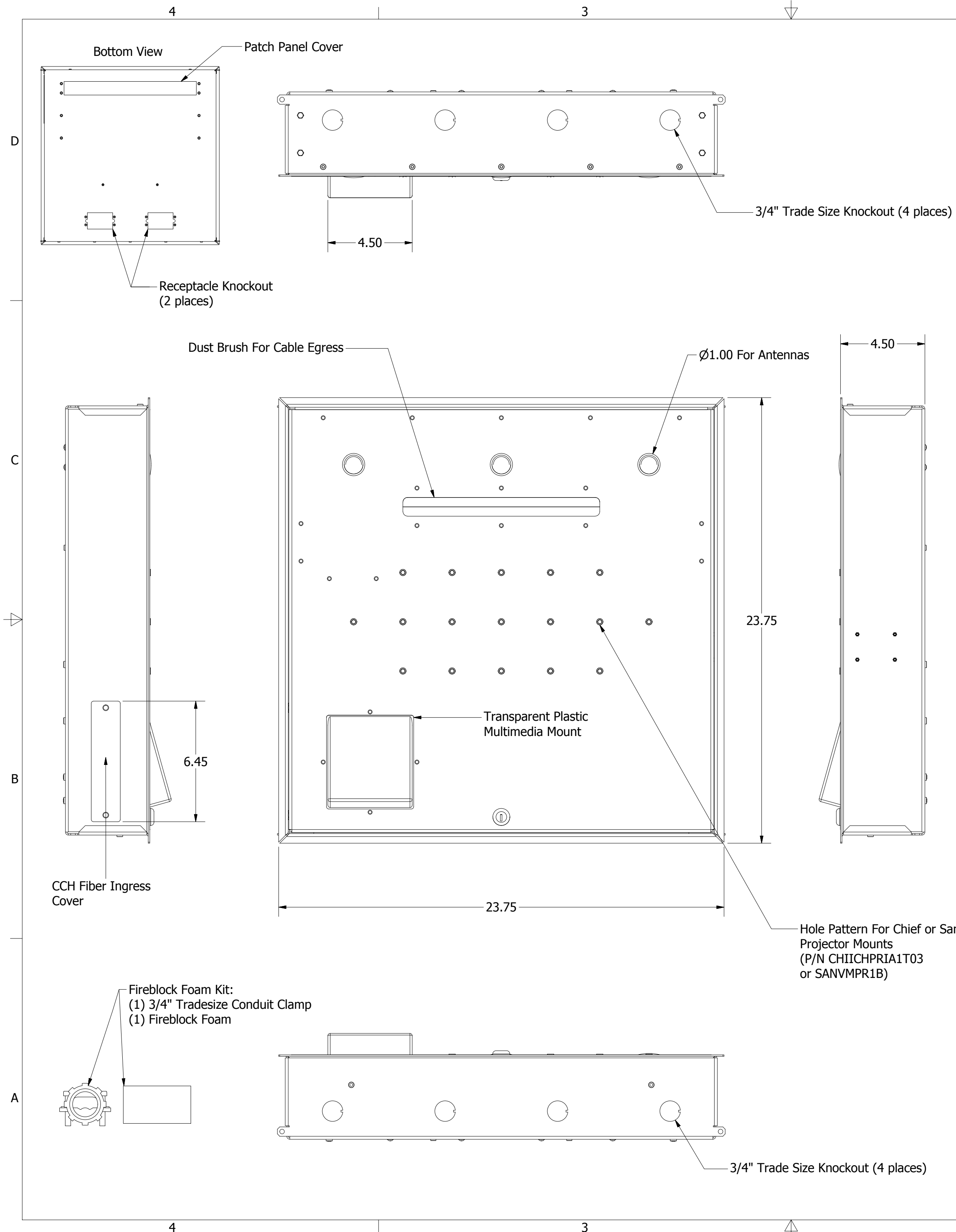


REVISION HISTORY				
ZONE	REV	DESCRIPTION	DATE	APPROVED
All	1	Released	3/29/2013	MDA



NOTES:

- UL Listed NWIN: File No. E348543
- Weight:
- Material: 12 Ga. Aluminum Backbox
8 Ga. Aluminum Door
White Powder Coated
- Includes: (1) Multimedia Mount
(1) T-Bar Access Point Mount
(1) Receptacle, Junction Box, and Cover
(4) Support Wire
(1) Fireblock Foam Kit
(2) Rack Mounting Bracket

DRAWN	3/29/2013	Oberon, Inc. - 1315 S. Allen St. - State College, PA 16801		
CHECKED		TITLE		
MDA	3/29/2013	Model 1074-00		
QA				
MFG		SIZE	DWG NO	REV
MDA	3/29/2013	C	1976	1
APPROVED		SCALE	SHEET 1 OF 1	
MDA	3/29/2013			
TOLERANCE:	.0 = +/- .030 .00 = +/- .015 .000 = +/- .005			