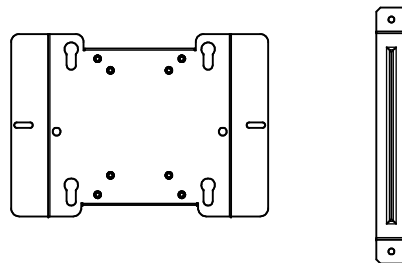
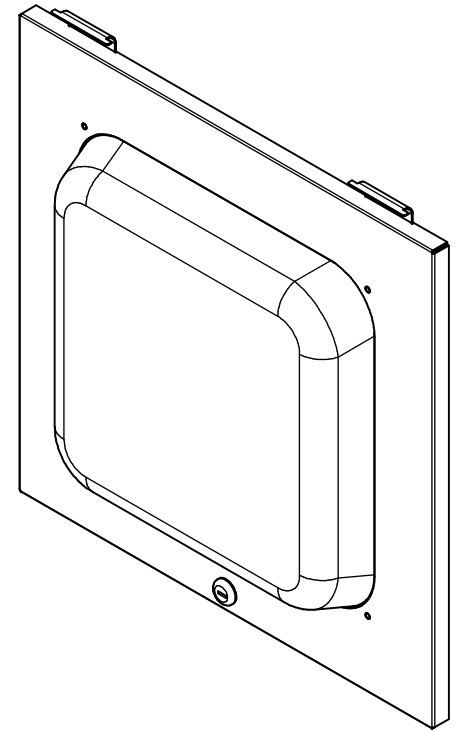
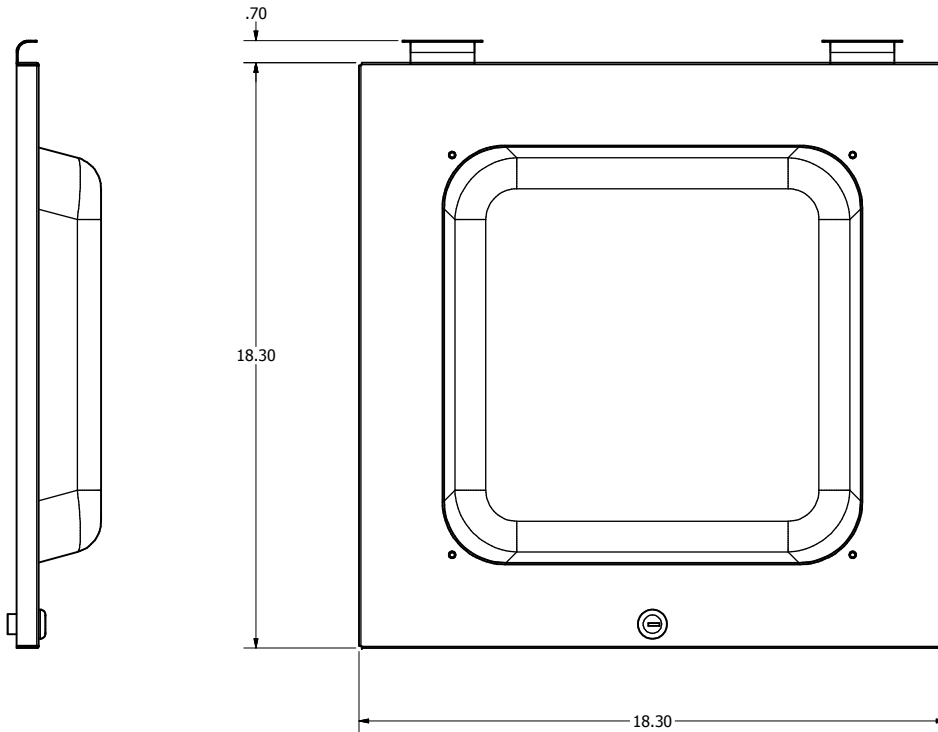
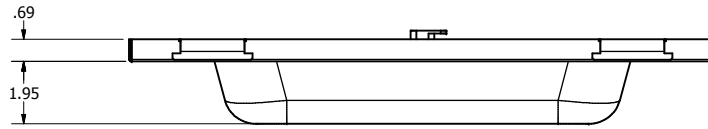


REVISION HISTORY				
ZONE	REV	DESCRIPTION	DATE	APPROVED
All	1	Released	3/8/2018	RLC



NOTE: Both Cisco and T-Bar mounts are included with door

NOTE: All materials used in the construction of Oberon products must be RoHS compliant and meet RoHS2 Directive 2011/65/EU. Contact Oberon engineering if RoHS compliant materials are not available.

NOTES:

- Weight: 4 lbs.
- Material: 18 Gauge Steel Door White Powder Coat
20 Gauge Galvanized Steel Mounting Plate
UL-5VA ABS Plastic Dome

Includes:

-Installation Hardware Specific to Access Point

DRAWN	RLC	3/8/2018	Oberon, Inc. - 1315 S. Allen St. - State College, PA 16801	
CHECKED	RLC	3/8/2018	TITLE	
QA			Model 38-47-LPDOME	
MFG	RLC	3/8/2018	SIZE	DWG NO
APPROVED	RLC	3/8/2018	C	2565
TOLERANCE:	.0 = +/- .030		SCALE	
	.00 = +/- .015			
	.000 = +/- .005			
				SHEET 1 OF 1