

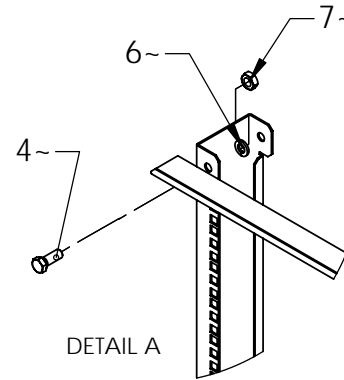
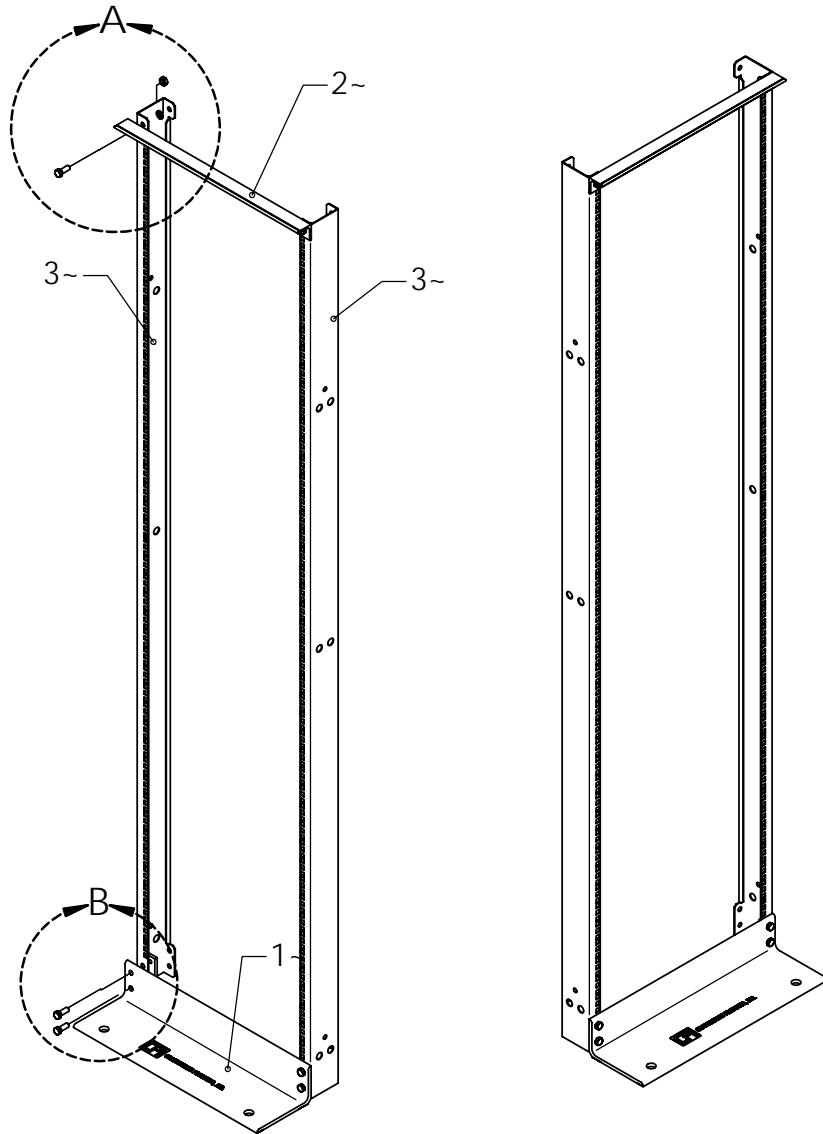
TOOLS FOR ASSEMBLY

9/16" Open/Box End Wrench
 9/16" Socket Wrench
 3/8" Open/Box End Wrench
 Carpenter's Square

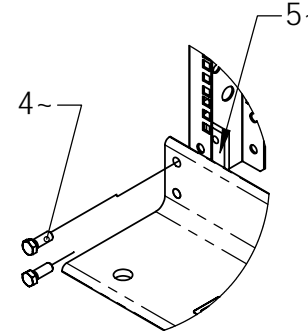
Parts List

- 1~ 2 ea Base Angle
- 2~ 2 ea Top Angle
- 3~ 4 ea Channels (2 Left,2 Right)
- 4~ 24 ea 3/8-16 Hex Head Bolts
- 5~ 8 ea Nut Plates
- 6~ 8 ea 3/8-16 Lock Washer
- 7~ 8 ea 3/8-16 Nuts
- 8~ 1 ea Base Extension Pan
- 9~ 1 ea Top Extension Pan
- 10~ 2 ea Horizontal Braces
- 11~ 8 ea 10-24 Carriage Bolts*
- 12~ 8 ea 10-24 Nuts *

* 2 ea extra bolts/nuts included



DETAIL A



DETAIL B

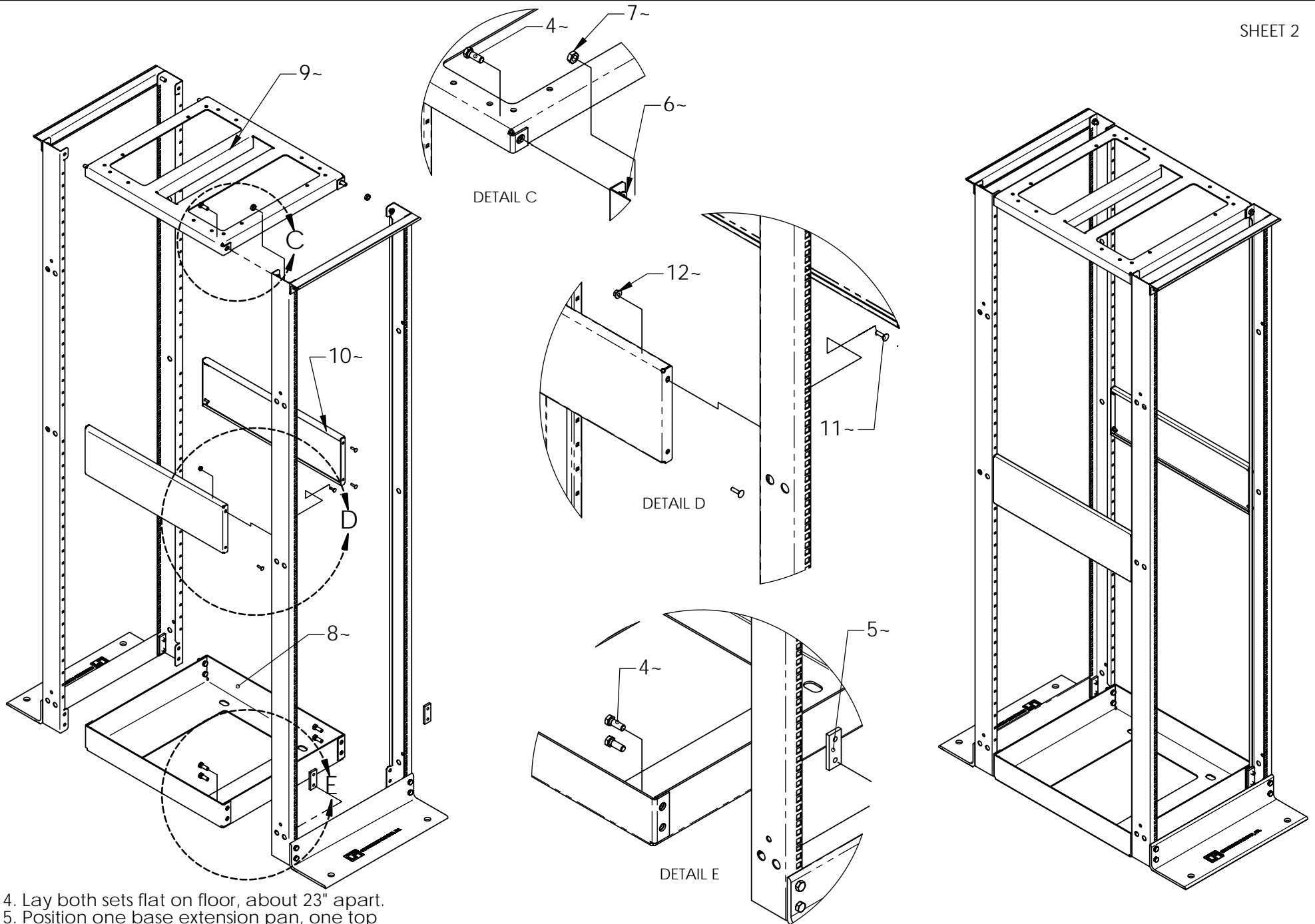
1. Lay two channels flat on floor, with flanges facing each other.
2. Lay one base angle and one top angle on channels as shown above and hand-start bolts. See Detail A & B. Do not tighten bolts.

3. Repeat steps 1&2 to assemble the other set.

CPI CHATSWORTH PRODUCTS, INC.

INSTALLATION INSTRUCTIONS
 QuadraRack™
 SERVER FRAME

THIS DRAWING CONTAINS INFORMATION PROPRIETARY TO CHATSWORTH PRODUCTS, INC. ANY REPRODUCTION DISCLOSURE OR USE OF THIS DRAWING IS EXPRESSLY FORBIDDEN EXCEPT AS AGREED TO IN WRITING BY CHATSWORTH PRODUCTS, INC.



4. Lay both sets flat on floor, about 23" apart.
5. Position one base extension pan, one top extension pan and two horizontal braces.
6. Using Detail C,D &E, assemble server frame. Hand start bolts, but do not fully tighten yet.
7. Raise the frame.

8. Using a square, align the channels, top angles, and base angles to square. Tighten all bolts securely.

9. Completed server frame may be installed onto floor attachments forward, center or to the rear using an existing base angle.