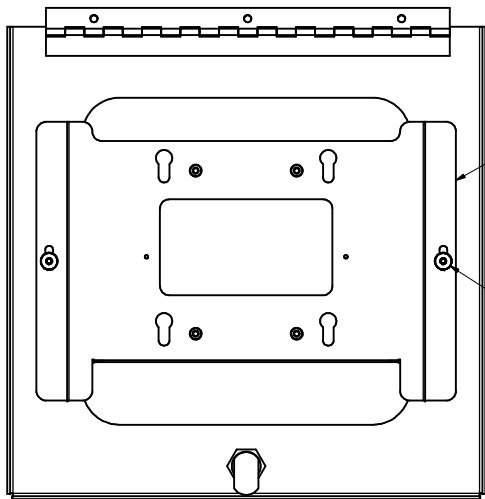


FRONT VIEW



BACK VIEW

107X RETROFIT DOORS	
MODEL NUMBER	ACCESS POINT
38-107X-AP225	Aruba AP225
38-107X-AP315	Aruba AP315
38-107X-AP325	Aruba AP325
38-107X-AP335	Aruba AP335
38-107X-CCOAP	Cisco 2600, 2700, 3500, 3600, 3700 Series APs
38-107X-CCOAP3800	Cisco 2800, 3800 Series APs
38-107X-COAP4800	Cisco 4800 Series APs
38-107X-CP	General Purpose, Works With Most APs
38-107X-WA	General Purpose, Works With Most APs

NOTES:

-Material: 14 Ga. White Powder Coated Steel Door

NOTE: All materials used in the construction of Oberon products must be RoHS compliant. Contact Oberon engineering if RoHS compliant materials are not available.

DRAWN ATK	9/28/2018	Oberon, Inc. - 1315 S. Allen St. - State College, PA 16801		
CHECKED ATK	9/28/2018	TITLE		
QA		38-107X Cisco Retrofit Doors		
MFG ATK	9/28/2018	SIZE C	DWG NO 38-107X Cisco	REV NA
APPROVED ATK	9/28/2018	SCALE	SHEET 1 OF 1	
TOLERANCE:	.0 = +/- .030 .00 = +/- .015 .000 = +/- .005			