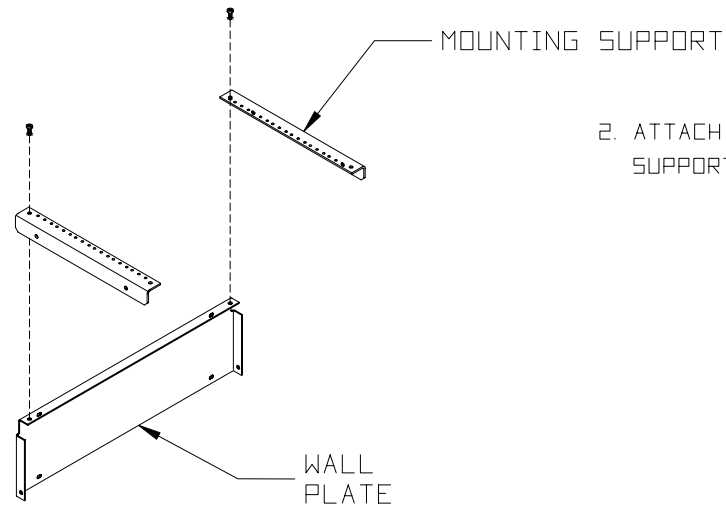
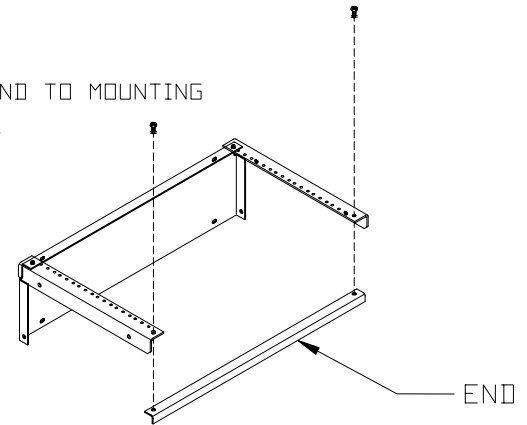


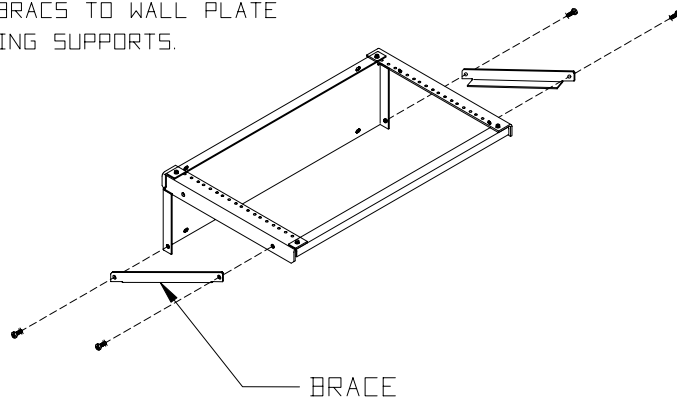
1. ATTACH MOUNTING SUPPORTS TO WALL PLATE.



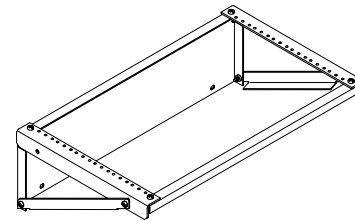
2. ATTACH END TO MOUNTING SUPPORTS.



3. ATTACH BRACES TO WALL PLATE & MOUNTING SUPPORTS.



4. ASSEMBLY COMPLETED.

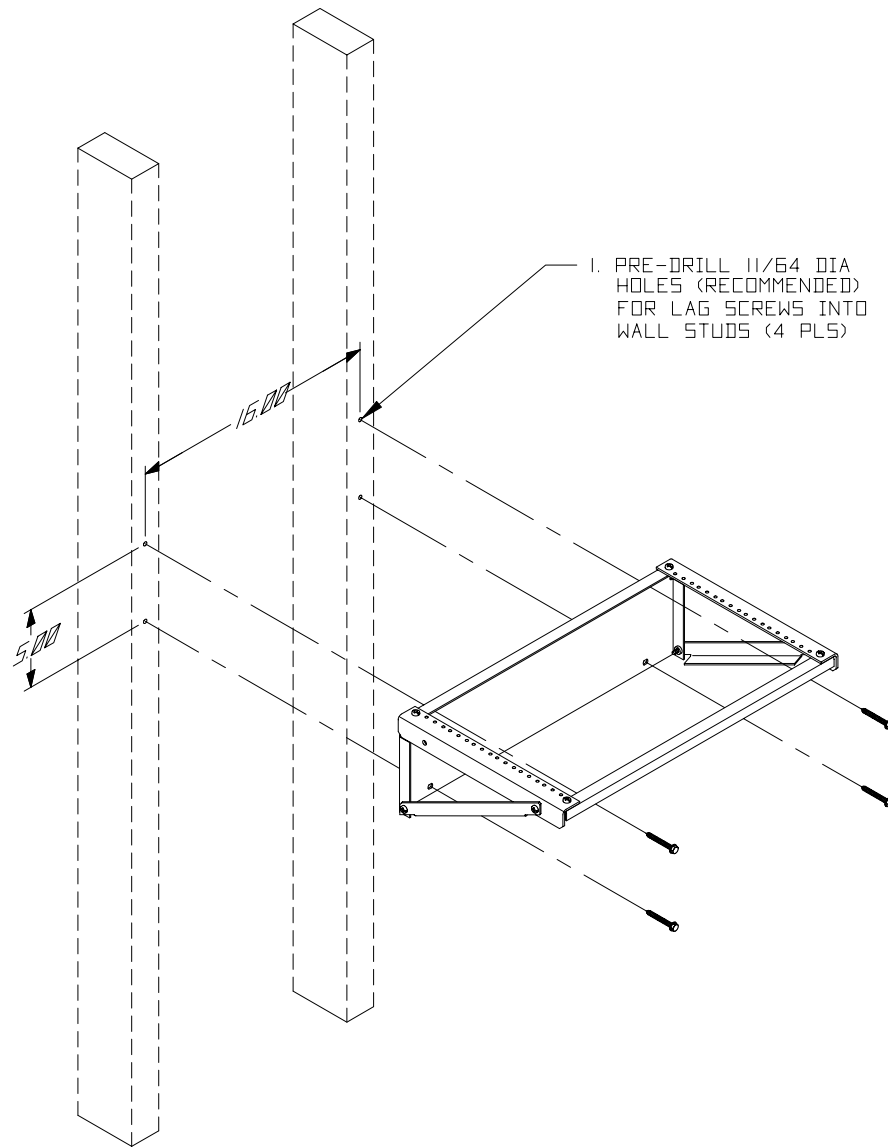


 CHATSWORTH PRODUCTS, INC.

WALL RACK ASSEMBLY INSTRUCTIONS

THIS DRAWING CONTAINS INFORMATION PROPRIETARY TO CHATSWORTH PRODUCTS, INC. ANY REPRODUCTION, DISCLOSURE OR USE OF THIS DRAWING IS EXPRESSLY FORBIDDEN EXCEPT AS AGREED TO IN WRITING BY CHATSWORTH PRODUCTS, INC.

NOTE: IT IS ADVISED THAT WALL-MOUNTED EQUIPMENT RACKS BE MOUNTED TO A 3/4" PLYWOOD BACKBOARD, SECURELY FASTENED TO THE WALL STUDS.



CPI CHATSWORTH PRODUCTS, INC.

WALL RACK
19" X 6 RMU
INSTALL. INSTR.

THIS DRAWING CONTAINS INFORMATION PROPRIETARY TO CHATSWORTH PRODUCTS, INC. ANY REPRODUCTION, DISCLOSURE OR USE OF THIS DRAWING IS EXPRESSLY FORBIDDEN EXCEPT AS AGREED TO IN WRITING BY CHATSWORTH PRODUCTS, INC.